



High Fidelity Radiogram  
R7 mk3

User guide	EN
Brugervejledning	DA
Bedienungsanleitung	DE
Guía del usuario	ES
Guide de l'utilisateur	FR
Manuale dell'utente	IT
Gebruikershandleiding	NL
Brukerveiledning	NO

ruarkaudio

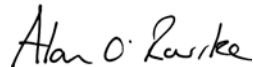
Thank you for choosing our R7 mk3 High Fidelity Radiogram.

Inspired by classic mid-century design, the R7 is an evolution of our original iconic design and with its stunning looks and amazing audio quality, we guarantee that you'll be rediscovering the joy of music all over again.

Please take the time to read this user guide as it will help you get the best from your R7.

With due care, we're confident your R7 will give you many years of listening pleasure and if you should need any help or advice, please do not hesitate to contact us. As a British, family-run company, we pride ourselves on our customer service and will always do our utmost to help.

Once again, thank you for choosing Ruark Audio.

A handwritten signature in black ink that reads "Alan O'Rourke". The signature is written in a cursive, flowing style.

Alan O'Rourke  
Founder and managing director

# Contents

What's in the box	4	Music streaming services	25
Controls	5	Line in and optical	26
Overview	6	Phono	26
Fitting legs or feet	7	Input level adjustment	26
Getting started	8	Multi-room	27
Common functions	10	App control	28
System settings	13	Alarms, snooze and sleep	28
FM radio	15	Specifications	29
DAB radio	16	Safety and regulatory information	30
Internet radio	17	Troubleshooting	31
CD player	19	Guarantee information	32
Bluetooth	20	General care	32
Music player	22	Copyright and trademarks	32
DLNA media streaming	24		

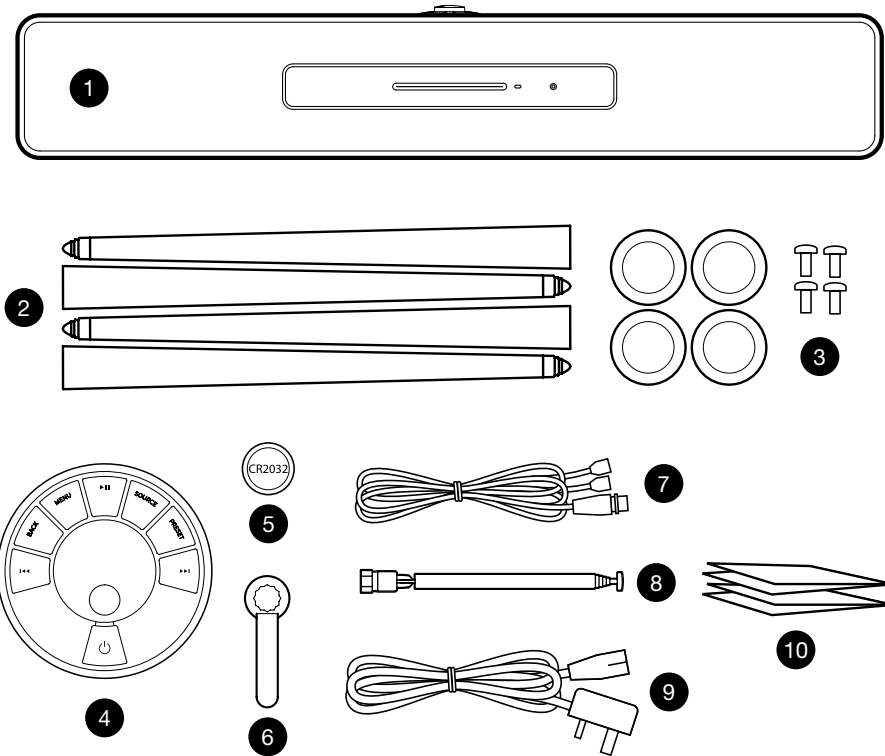
# What's in the box

Ensure that all parts listed below are in the box.

If any part is missing, do not use the R7 and contact us directly if purchased in the UK, or your Ruark Audio dealer if purchased outside the UK.

1. R7
2. Four spindle legs
3. Four feet & fixing screws
4. Remote control
5. Remote battery (CR2032)
6. Antenna spinner
7. Wire antenna
8. Telescopic antenna
9. Mains power cord
10. User guide & other documents

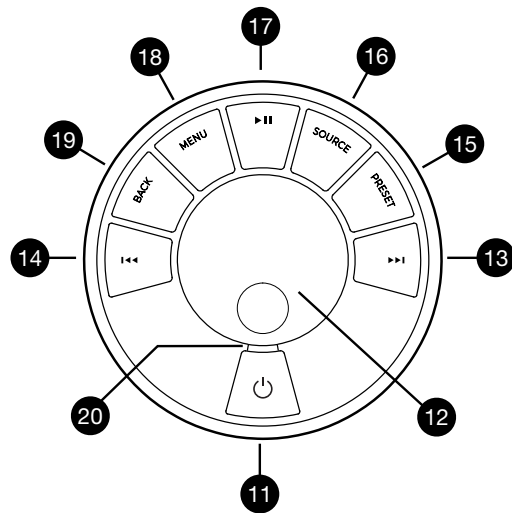
If possible, please retain the carton and all packaging materials.



# Controls

The controls on the R7 are exactly the same as on the remote control.

11. **⏻ – STANDBY**
12. **CONTROL KNOB / SELECT**  
Rotate to adjust volume from a Now Playing screen  
Rotate to browse menus, tracks or station lists\*  
Press to **SELECT**
13. **▶▶ –** press to skip to next station or track, press and hold to fast forward
14. **◀◀ –** press to skip to previous station or track, press and hold to rewind
15. **PRESET** – press to recall a saved station or playlist, press and hold for two seconds to save a station or playlist
16. **SOURCE** – press to change audio source
17. **▶|| –** press to play/pause a track or mute audio inputs and radio
18. **MENU** – press to view the menu
19. **BACK** – press to return to the previous menu or list screen
20. **INDICATOR LIGHT**  
On the R7 it indicates your music system is on and flashes when Bluetooth is ready to pair or when using the remote.  
On the remote it flashes when pressing a key or using the control knob and when the battery is low, the light will change from blue to amber.



\*You can also press ▶▶ or ◀◀ to browse menus, tracks, sources or station lists

---

*How long you press a key is important*

*Press = tap or press and immediately release*

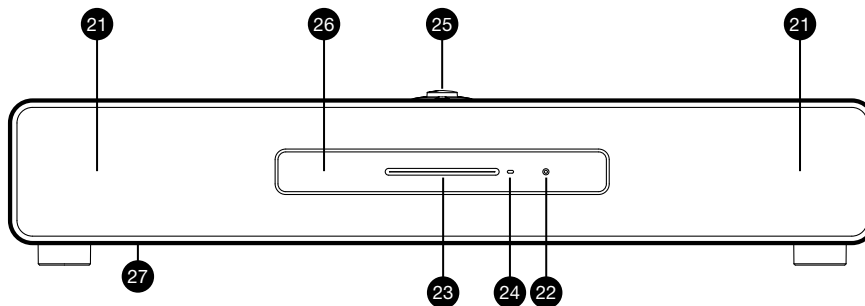
*Press and hold = press and release after two seconds*

---

# Overview

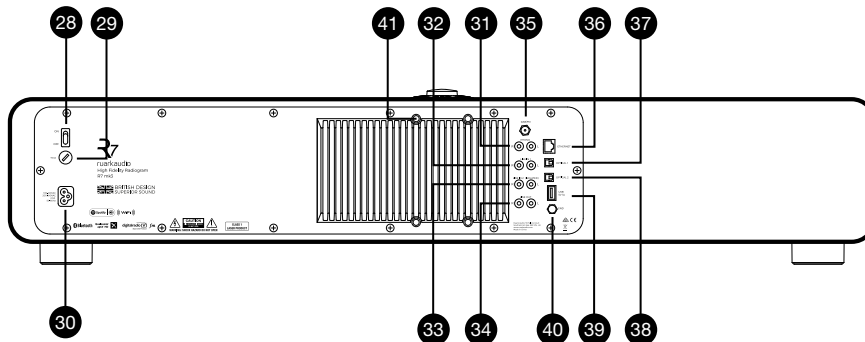
## Front

- 21. Dual concentric stereo drivers
- 22. Headphone out (3.5mm jack)
- 23. CD loading slot
- 24. CD eject button
- 25. Controls
- 26. OLED Display
- 27. Subwoofer



## Back

- 28. Mains power switch
- 29. Mains power fuse
- 30. Mains power cord inlet
- 31. Phono input
- 32. Line in 1
- 33. Line in 2
- 34. Line out
- 35. DAB-FM antenna
- 36. Ethernet
- 37. Optical input 1
- 38. Optical input 2
- 39. USB
- 40. Grounding terminal
- 41. AV mount fixing points (4xM8)



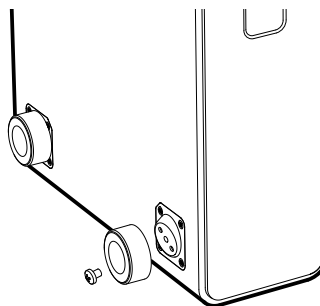
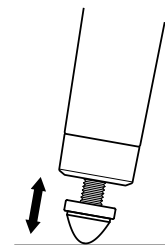
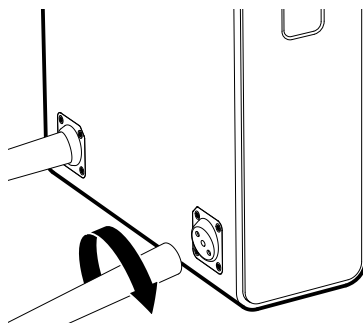
## Fitting legs or feet

**Get help with moving your R7 as it is heavy and easily damaged!**

Carefully take your R7 out of its protective bag and place it on its side on a stable, clean and non-marking surface like a rug or the bag.

To mount your R7 on legs, screw the four legs into the mounting plates on the underside of the cabinet and hand-tighten each leg so that it is secure but take care not to overtighten. Carefully turn your R7 over and move it into its final position and, if necessary, adjust the leg tips to ensure it is completely stable.

To mount your R7 on feet, place a foot onto each of the four mounting plates on the underside of the cabinet, ensuring each is correctly aligned. Use a suitable screwdriver to secure them with the screws provided. Carefully turn your R7 over and place it on a suitably strong and secure surface.



---

*Take care not to damage the speaker grilles when moving your R7.*

---



---

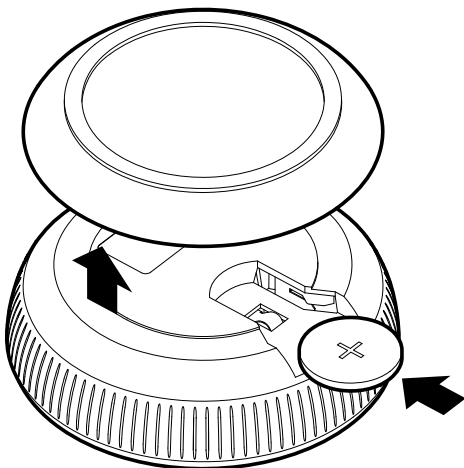
*The R7 is heavy and improper handling can result in damage or personal injury.*

---

# Getting started

## 1 Fit remote battery

Gently pull off the magnetic steel base and with the remote face down, slide the battery (type CR2032) into the slot, ensuring the flat side marked with + faces up. Replace the steel base.



---

*Please note that the remote may not work until it is paired with the main system (see step 6).*

---

## 2 Connect the aerial

Fit either the wire or telescopic aerial to the DAB/FM antenna socket on the back of your R7 and gently tighten it using the supplied spanner. Use the aerial that works best for you although for best reception we highly recommend using an external, professionally installed, aerial.

## 3 Connect to AC mains

Plug the mains power cord into the mains power socket on the back of your music system and then plug it into an AC mains outlet.

## 4 Switch on

Switch the mains power switch on the back of your music system to the ON position. Your R7 is now in standby.

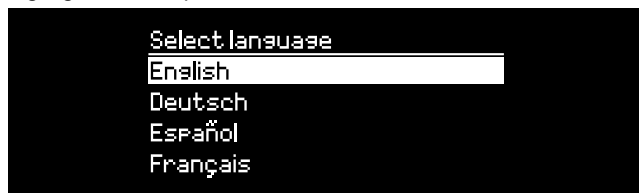
To turn your R7 on, press **STANDBY** on the controls on the cabinet and the R7 logo will appear on the screen.





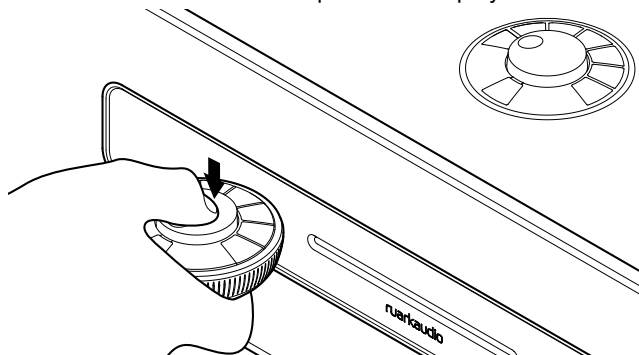
## 5 Select language

Rotate the **CONTROL KNOB** until your preferred choice is highlighted, then press **SELECT**.



## 6 Pair your remote

When you are prompted to pair your remote control, hold it very close to the display and then press and hold **SELECT** on the remote until "Remote paired" is displayed.



Press **SELECT** to continue.

You won't normally need to pair it again but if you do, simply hold it very close to the screen and press and hold any key until you see the confirmation message. You can do this in any mode.

## 7 Setup wizard

When you turn on your R7 for the first time, setup wizard will help you configure the clock and connect to your network.



To start the setup wizard, rotate the **CONTROL KNOB** to highlight **YES** and then press the knob to **SELECT**. If you choose **NO**, your R7 will start without configuring time/date and network settings.

## 8 Select a source

When your setup is complete, your R7 will display a menu with a list of the available sources. Use the **CONTROL KNOB** to choose a source and press **SELECT**.

## 9 Enjoy your music!

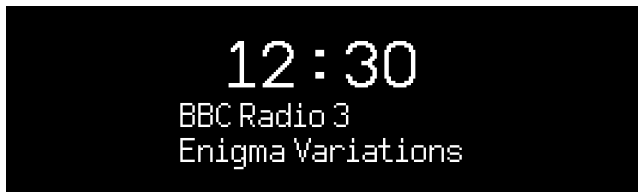
## Common functions

### Switch on and to standby

Press **STANDBY** to turn your music system on. Press again to switch to standby.

### Now Playing screens

Unless you're adjusting a setting, the screen will look similar to the example below with the clock above and station/track/album/artist information below.



The on-screen icons below are shown when their respective functions are active.



Alarm

Shuffle

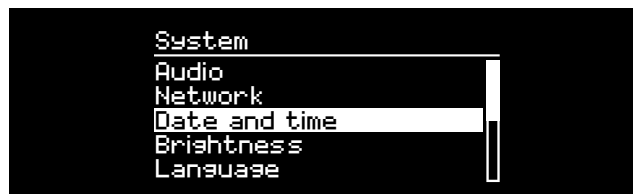


Sleep timer

Repeat

## Menu screens

The menus enable you to set the various options such as adjusting the bass and treble. To change a setting, press **MENU** to display the list of available options, rotate the **CONTROL KNOB** to highlight the one you wish to change, then press the knob to confirm your selection.



### Browsing menus, track and station lists

To change settings – press **MENU**

To scroll through options – rotate **CONTROL KNOB**

To select option – press **CONTROL KNOB**

To exit menu – press **MENU** or wait for a few seconds

To return to the previous menu/list – press **BACK**

---

*How long you press a key is important*

*Press = tap or press and immediately release*

*Press and hold = press and release after two seconds*

---

## Adjust volume

Rotate the **CONTROL KNOB** from any Now Playing screen. Speaker volume and headphone volume are adjusted separately, so when headphones are plugged in the volume is shown as *Volume (HP)*.

NOTE: rotating the **CONTROL KNOB** when a menu or track/station list is displayed will scroll through the menu and not change the volume.

## Change audio source

Press **SOURCE** to view the current source, rotate the **CONTROL KNOB** to cycle through the list of sources, then press the knob to select one currently displayed. (You can also press **SOURCE** repeatedly to cycle through the list of sources instead of rotating the knob.)



Internet radio

## Multi-room

This device is fully compatible with Ruark Audio multi-room and enables you to stream music seamlessly from one room to another. See 'Multi-room' section for more details.

## Pause track or mute audio

Press ►|| and then press again to resume listening.

## Play next/previous track

Press ►► to skip to the next track in the folder or album, press ◀◀ to skip to the start of the current track, press again to skip to the previous track.

## Fast forward or rewind track

Press and hold ►► or ◀◀ (may not work with Bluetooth).

## Change FM radio station

Press ►► or ◀◀ to seek the next or previous station. See 'FM' section for more details.

## Change DAB radio station

Press ►► or ◀◀ to tune to the next or previous station. You can also view the multiline station list by selecting **MENU > Station list**.

See 'DAB' section for more details.

## Change station or track information

Change the station/track information displayed by selecting one of the options from **MENU > Info**.

---

*To return to the previous menu level or station list, press BACK*

---

## Save radio station preset

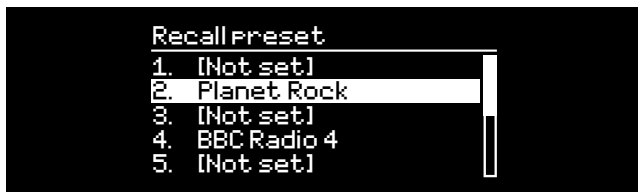
Press and hold **PRESET** until 'Save preset' is shown then rotate the **CONTROL KNOB** to choose the preset number and press the knob to save the current station. Presets are either marked with the station name, frequency or as '[Not set]'.



If you save a station over an existing preset, the new station will replace it.

## Recall radio station preset

Press **PRESET**, rotate the **CONTROL KNOB** to scroll through the preset station list, then press the knob to select a station.



## Connect a Bluetooth device

When you change the source to Bluetooth, your R7 will attempt to automatically connect to the last connected device. If you have not yet paired your device or the previous device is not available, your R7 will enter into pairing mode. See 'Bluetooth' section for more details.

## Headphones

Connect your headphones to the 3.5mm stereo jack socket on the front of your R7.

Headphone volume is adjusted independently from speaker volume, so when headphones are plugged in the volume is shown as *Volume (HP)*.

## USB charging

The USB socket on your R7 is rated at 5W (5V 1.0A) and will power most smart devices and USB powered accessories.

---

Please note that: **MENU > System > Audio** means press **MENU**, select **System** and finally select **Audio**

---

# System settings

## Bass, treble and sub

**MENU > System > Audio > Bass, Treble or Sub level**

Adjust the bass and treble levels using the **CONTROL KNOB** then press it to save the setting.

## Loudness

Loudness automatically boosts the treble and bass frequencies at lower volumes.

**MENU > System > Audio > Loudness**

## 3D sound

3D widens the stereo sound stage and creates a more immersive and involving sound.

**MENU > System > Audio > 3D**

## Date and time

**MENU > System > Date and time**

The time and date are automatically synchronised with national time signals broadcast over DAB, network and FM (FM time synchronisation may not always be available).

You can also set the time manually by turning auto update off and change the time and date format.

## Display brightness

**MENU > System > Brightness**

Independently adjust the brightness of the display when your R7 is on and in standby.

When the brightness is set to 0 the display will automatically switch off after a few seconds. The display will then briefly illuminate whenever any key is pressed.

You can also adjust the standby brightness when your R7 is in standby by pressing **▶▶** or **◀◀**.

## Language

**MENU > System > Language**

Change the menu language.

## Software update

**MENU > System > Software update**

Your R7 is set to automatically check for software updates. If one is available, you will be asked whether you want to download and install it.

**CAUTION:** Disconnecting the power during a software update could permanently damage your R7.

## Factory reset

**MENU > System > Factory reset**

Resets all settings and clears presets.

---

*Currently saved settings are marked with an asterisk (\*)*

---

## Setup wizard

### **MENU > System > Setup wizard**

Runs the setup wizard to guide you through setting up the clock and network.

## Inactive standby

Your R7 is set to automatically switch itself to standby if there is no audio for more than 20 minutes. To change this select **MENU > System > Inactive standby**.

## Network wizard

For a guided process to help you connect to a wired or Wi-Fi network, select **MENU > System > Network > Network wizard**.

## Network profiles

Your R7 will automatically attempt to connect to any network it has previously connected to.

To see the list of saved networks, select **MENU > System > Network > Network profile**. To delete an unwanted network, highlight it, press the **CONTROL KNOB** and select **YES**.

## Keep network connected

### **MENU > System > Network > Keep connected**

Choose whether your R7 always remains connected to your network, even in standby (default). We recommend you set it to *keep connected* as it will ensure your R7 is always accessible using Spotify or DLNA music streaming. We also recommend this if you have set your clock to update from Network.

## System information

Shows details of your R7 including the software version, unique radio ID code and friendly name.

## Advanced network settings

There are other advanced network settings for experienced users for manual configuration or diagnosing and fixing network problems.

## Friendly name

The friendly name is how your R7 shows up on networks, Spotify and Bluetooth. You can change this to something more descriptive like “Archie’s R7” or “Living room R7”.

You can view your R7’s status and change its friendly name by viewing its web page in a browser. In Windows, your R7 will typically show up as a Media Device, double clicking on the icon will open the configuration page in your browser.

For more information visit [www.ruarkaudio.com/support](http://www.ruarkaudio.com/support)

## FM radio

When listening to FM, your R7 displays the station name and other RDS/RBDS\* programme information when available.

*\*Radio Data System/Radio Broadcast Data System*



### Change station

Press ►► or ◀◀ to automatically tune to the next available FM station. If RDS/RBDS is unavailable the frequency is displayed instead.



### Scan setting

You can change the scan setting to only stop at stations with a strong signal by selecting **Menu > Scan setting > Strong stations only**.

## Programme information

Choose from radio text, programme type, frequency, signal strength and date by selecting **MENU > Info**.

### Manual tune

Select **MENU > Manual tune** then either rotate the **CONTROL KNOB** or press ►► or ◀◀ to change the frequency.

### Save preset

You can store 10 FM stations in your preset list. The station name will be stored only when RDS/RBDS is available. See 'Common functions' section.

### Recall preset

See 'Common functions' section.

### Mono

As an FM signal becomes weaker, the level of hiss will increase. To reduce this, select **Menu > Mono**.

---

*To further reduce hiss on weaker FM stations, we recommend turning 3D sound OFF*

---

## DAB radio

When listening to DAB/DAB+, your R7 displays the station name and other DLS\* programme information when available.

The first time you use your R7, or if the station list is empty, it will automatically perform a full scan to identify available stations.

\*Dynamic Label Segment

### Change station

Press **▶▶** or **◀◀** to tune to the next/previous station.

### Station list

To view a list of available DAB stations select **MENU > Station list** or press **▶▶** or **◀◀**. Highlight the station you wish to listen to and press **SELECT**.



### Programme information

Choose from radio text, programme type, signal strength, signal format and date by selecting **MENU > Info**.

### Save preset

You can store 10 DAB stations in your preset list. See 'Common functions' section.

### Recall preset

See 'Common functions' section.

### Secondary services

Some DAB radio stations have one or more secondary stations associated with them. If a secondary station is available '>>' is shown after the current station name in the station list.

Secondary stations are indicated with '<<' before the station name.

### Station order

The DAB station list can be ordered by *Alphanumeric*, *Ensemble* or *Valid*. *Alphanumeric* puts the stations in alphabetical order, *Ensemble* groups stations from the same broadcaster together, *Valid* shows available stations first and places invalid stations (marked with '?') last.

To change station order, select **Menu > Station order** and select **Alphanumeric** (default), **Ensemble** or **Valid**.

---

*Invalid stations have '?' in front of the station name*

---



## Station scan

If the station list is empty the radio will automatically perform a full scan as soon as you switch to DAB.

In any case, we recommend you do a full scan from time to time to update the station list because:

- New stations sometimes become available
- Stations close or may no longer be received
- Reception was poor during the original scan (for example the aerial wasn't properly fitted)
- You move the radio to a different region

To do a full scan, select **MENU > Scan**.

## Remove weak or invalid stations

Weak (burbling) or invalid stations have '?' in front of the station name and can be removed by selecting **MENU > Prune invalid**.

## Internet radio

Your R7 can play thousands of internet radio stations and podcasts from all over the world (internet connection required).

### Main menu

The first time you listen to internet radio you will see the main menu for this mode.



If you have listened to internet radio stations on your R7 before, it will automatically play the last listened station.

### Last listened

To access a list of recently listened to stations select **MENU > Last listened**.

When you use your R7 for the first time, the list will be empty.

### Station list

You can browse or search the extensive list of stations by selecting **MENU > Station list** and selecting from the various options, including genre, location and popularity.

## Now playing information

The station name is shown along with additional information like artist and track name. To change what is displayed select **MENU > Info** and choose from radio text, genre, signal quality, track name, location, and date.

## Search for a station

Search for a station by selecting **MENU > Station list > Stations > Search stations** and then entering the name of the station you're looking for.

## Podcasts

Many stations will have associated podcasts which you can browse and search for just like internet radio stations.

## Mute

Press **▶||** to mute and press again to resume listening.

## Save a preset

You can store 10 Internet radio stations in your preset list. See 'Common functions' section.

## Recall a preset

See 'Common functions' section.

## Ruark radio portal

In addition to presets, *Internet radio* has two further ways of storing and organising your favourite radio stations using the online Ruark radio portal.

Visit **[www.ruarkaudio.com/radiportal](http://www.ruarkaudio.com/radiportal)** for more information.

You will need the your radio's unique portal access code so make a note of it by selecting **Menu > Station list > Help > Get access code**.

## My favourites

This is similar to storing presets, except that the stations are stored online, on the Ruark radio portal. This means that your saved favourite stations are accessible from any Ruark internet radio product registered on the same account.

To store a station as a favourite, press and hold the **CONTROL KNOB** until *Favourite added* is displayed. This is only available if you have registered your R7 on the radio portal.

## My added stations

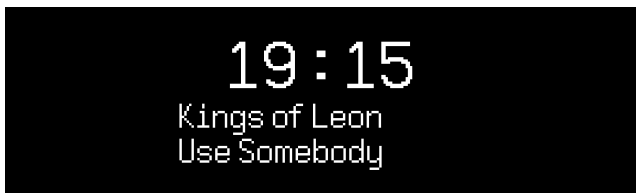
You can manually add stations that are not already listed by visiting the online Ruark radio portal. Stations added this way are accessible by selecting **MENU > Station list > My added stations**.

## CD player

To insert a CD, gently push it into the CD slot. Once loaded it will play automatically.

### Now playing information

Generally, track number and time is shown on audio CDs and track and album name is shown on MP3 CDs.



To change what is displayed select **MENU > Info** and choose from album and artist information, progress bar or filename (options will vary according to the type of CD).

### Play / Pause

Press **▶||** to play or pause a track

### Stop play

Long press **▶||**

### Skip track

Press **▶|** or **|◀** to skip to the next or previous track

### Fast-forward or rewind

Press and hold **▶▶** or **◀◀** to fast-forward or rewind

## Eject

Press the eject button next to the CD slot

## Shuffle

To play tracks in random order select

**MENU > Shuffle > On**

## Repeat

To repeat a single track or all tracks, select

**MENU > Repeat > One or All**

---

*Any folder structure on MP3/WMA/AAC disks will be ignored and the tracks will show in a single list*

*Rights-protected WMA and AAC cannot be played*

---

## Bluetooth

Your R7 supports aptX for CD quality streaming and aptX HD for 24-bit hi-res streaming. It will automatically connect to your bluetooth device using the highest quality connection supported by your device.

### Pairing your Bluetooth device

When you have changed the source to Bluetooth, wait until *Awaiting connection...* is shown and the indicator light on top flashes.

Use the Bluetooth setup on your smart device to pair and connect it to your R7. It will appear in the list of paired devices as *Ruark R7\**. When connected, *BT Connected + your device name* (eg Archie's phone) is displayed.

It may take a few seconds for your R7 to appear in the list on your device, and in some cases you may need to input "0000" as the pairing password.

If you do not connect within a few minutes, your R7 will stop attempting to connect and show *No connection*. To connect, select **MENU > Connect device**.

### Connecting your Bluetooth device

As soon as you switch to Bluetooth, your R7 will display *Connecting* as it attempts to connect to the last device it was paired with.

If that device isn't available, it displays *Awaiting connection...* To connect to your R7, ensure the Bluetooth function on your device is on and select *Ruark R7\** from the paired devices list on your Bluetooth device.

### Friendly name

\*Your R7 will shown up as Ruark R7 on Bluetooth devices, however, you can change this to something more descriptive like "Archie's R7" or "Living room R7". See 'System settings'.

### Play audio

Once connected, audio from your Bluetooth device will play through your R7. For more information on playing audio from your Bluetooth device, refer to your device's documentation.

NOTE: you may need to select your Ruark R7 or Bluetooth as your audio output on your device.

### Pause track

Press **▶||** and then press again to play.

### Play next/previous track

Press **▶▶|** to skip to the next track in the folder or album, press **||◀◀** to skip to the start of the current track, press again to skip to the previous track.

### Adjust volume

We recommend that you adjust the volume on your Bluetooth device so that the playback volume is about the same as other sources. You can then use the volume control on your R7 to adjust overall playback volume.

### Now Playing information

Artist, album and track name will show if your Bluetooth device and app support Bluetooth metadata. You can also show the name of the connected device. Select what is shown from **MENU > Info**.

## Operating range

This is typically up to 10 metres (30 feet) from your R7, although obstructions such as walls will reduce this.

## Connect device

To disconnect the current device and connect a new one, select **MENU > Connect device**.

## Pairing additional devices

You can pair up to 7 devices, although you will only be able to play audio from one device at a time.

## Clearing the paired devices list

If you are having trouble connecting your Bluetooth device, we recommend you clear all pairing information. To do this, select **MENU > Clear devices**.

You will also need to delete *Ruark R7* from the paired devices list on your Bluetooth device before pairing it to your R7 again.

For more information visit [www.ruarkaudio.com/support](http://www.ruarkaudio.com/support)

---

*You cannot use the Bluetooth function on your R7 to connect to Bluetooth headphones*

---

## Music player

Music player enables you to play audio files stored on a computer on your network, a USB memory stick or portable hard drive.

### USB music player

To play audio from a USB mass-storage device (must be FAT32 format) such as a USB Flash stick or USB hard drive, connect it to the USB socket on the back of your R7.

When you first connect a USB mass-storage device, your R7 will automatically ask if you want to view the track list. Otherwise, to view the track list select **Menu > USB**.



### Network music player

Your R7 is fully DLNA compatible and will play music stored in shared media libraries on other devices on your network. A shared library might be on a laptop, smartphone or tablet, but it could also be on a dedicated music server such as a NAS drive (Network Attached Storage).

Most computers running Windows are already configured as media servers as are most NAS drives and some routers will

also work as media servers. There are many apps available for Mac, iOS, Linux, Android, Windows phone, Blackberry, Symbian, etc. that will turn your MP3 player, smartphone or tablet into a music server.

To play music shared by devices on your network select **Menu > Shared media**. After your R7 has scanned your network for shared media you will see a list of music servers consisting of the computer name and shared media name, for example *<Ruark-Laptop: Archie Music>*.

The menus after this are generated by the media server, although in most cases you will find options to browse by genre, folder, artist, album etc.

If your R7 is not connected to a network it will attempt to connect.

For more information visit [www.ruarkaudio.com/support](http://www.ruarkaudio.com/support)

### Browse and play music

Rotate the **CONTROL KNOB** to scroll through the track lists, then press the knob to open the highlighted folder/album or play the track.

To go back to the previous screen press **BACK**.

### Pause track

Press **▶||** and then press again to play.

---

*Rights-protected WMA and AAC tracks cannot be played on your R7.*

---

## Skip track

Press **▶▶** to skip to the next track in the folder or album, press **◀◀** to skip to the start of the current track, press again to skip to the previous track.

## Fast-forward or rewind

Press and hold **▶▶** or **◀◀** to fast-forward or rewind.

## Shuffle

To play tracks in random order, select **MENU > Shuffle** and press the **CONTROL KNOB** to toggle shuffle play on and off.

NOTE: It may not be possible to use this function if the folder contains a large number of tracks.

## Repeat

To repeat a single track or all the tracks in the current folder, select **MENU > Repeat** and press the **CONTROL KNOB** to choose one, all or off.

## My playlist

You can create your own playlist and queue of up to 500 tracks. These can be a mixture of tracks from any available media servers and an attached USB device. To manage your playlist, select **Menu > My playlist**.

To add a track or folder to your playlist, highlight it then press and hold the **CONTROL KNOB** for two seconds.

To remove a track from your playlist, highlight the track in My playlist and then press and hold the **CONTROL KNOB** for two seconds.

Please note that your playlist will be stored as long as your R7 remains on or in standby but will be cleared if you turn it off.

## Now Playing information

Typically, the track name is shown with additional information below. To change what is displayed select **MENU > Info** and choose from album and artist information, show the progress bar or data format.

## Prune servers

Your R7 will automatically store the name of media servers it has connected to and that are not currently available are shown with a question mark before their name eg '*?Home-Laptop*'. You can remove them from the list by selecting **MENU > Prune servers > YES**.

## DLNA media streaming

You can also stream audio to your R7 from a Digital Living Network Alliance (DLNA) compatible media server. This is where you browse for music on the server itself and play it through your R7. There are many apps available for Mac, iOS, Linux, Android, Windows phone, etc that will turn your smartphone, tablet or laptop into a DLNA media server. Windows Media Player even has a 'Play to' function built in that allows you to stream music stored on your computer directly to your R7.

With DLNA media streaming, your R7 functions as a Digital Media Renderer (DMR) so you browse for music on your smartphone or laptop and then stream it to your R7 over your network.

Your R7 will automatically change to DMR mode when you select your R7\* as your chosen player – DMR is not a mode that can be selected using the **SOURCE** key.

Similarly, all the Now playing information will be controlled by the server so there are no settings you can change.

For more details refer to the documentation for your device or app or visit [www.ruarkaudio.com/support](http://www.ruarkaudio.com/support).

---

*DLNA media streaming requires that your R7 is connected to your network so we recommend that you set it to keep network connected. See system settings section.*

---



# Music streaming services

Your R7 supports the music streaming services shown below.

## Spotify Connect

Use your phone, tablet or computer as a remote control for Spotify. Go to [spotify.com/connect](https://spotify.com/connect) to learn how.

## Amazon Music

For more details, visit [www.amazon.com](https://www.amazon.com)

## Deezer

For more details, visit [dizr.fm/airable](https://dizr.fm/airable)

## TIDAL

For more details, visit [tidal.com/try-now](https://tidal.com/try-now)

Please note that TIDAL high quality is not supported in multi-room mode. To listen to TIDAL in multi-room mode, change the audio quality to normal using the Ruark Link app.

The range of supported music services may change without notice.

EN



## Line in and optical

You can listen to audio from an external analogue audio source by connecting it to Line in 1 or 2 or a digital source by connecting it to Optical 1 or 2.

## Phono

Your R7 includes a high-fidelity phono stage pre-amplifier for use with a moving magnet (MM) turntable cartridge.

It is not designed for a moving coil type cartridge.

To connect a turntable to your R7, we recommend high quality phono leads.

## Input level adjustment

For best audio performance, we recommend you balance the volume level of an external device (eg portable music player or turntable) so its volume is about the same as inbuilt sources like CD or USB.

If the volume is lower, increase the input level.

If the volume is higher or distorts, decrease the input level.

You can adjust the input level by selecting **MENU > Input level** and choose your desired level.

If your external audio source has a volume control you may also need to adjust that.

### Line in input levels

-3dB (devices with unusually high output)

+0dB (devices with standard 2.1Vrms line level output)

+6dB (default)

+12dB (eg smartphones with high headphone output)

+18dB (eg smartphones with standard headphone output)

+24dB (eg smartphones with low headphone output)

### Phono input levels

These are designed to work with the most common moving magnet (MM) cartridges, please check the specification of your cartridge and select the most appropriate setting.

-3dB (6-8mV)

+0dB (4-6mV)

+3dB (3-4mV)

+6dB (2-3mV)

---

For best audio performance, we recommend you balance the volume level of external devices by adjusting input levels

---

## Ground loops

(Eliminating hum and buzz)

In some circumstances, you may hear hum or buzz when connecting an external audio source via Line in or Phono input, for example playing from an external mains powered device or one powered from the USB socket on your R7.

Unfortunately, this is a relatively common problem that is not always simple to fix. However, your R7 includes two features that should help with this issue.

### Swap between Line in 1 and Line in 2

Line in 2 is ground isolated and Line in 1 is not, so you may find that one input is quieter than the other.

### Use the grounding terminal on the back panel

If this doesn't work or you are using the Phono input, try linking the ground from your external device to the grounding terminal on the back of your R7.

For more information visit [www.ruarkaudio.com/support](http://www.ruarkaudio.com/support)

---

### IMPORTANT

**Please remove mains cable from your R7 before connecting to its ground terminal. If you are unsure how to connect the ground of your external device to the R7, please seek advice!**

---

## Multi-room

This device is fully compatible with Ruark Audio multi-room and enables you to stream music seamlessly from one room to another.

To start with, you have to create a group of up to 6 devices that will all play the same synchronised audio. Once you have created a group, other devices can be added to it.

To create a group select **MENU > Multi-room > Create new group**, enter a name for the group and select OK. From the list of other compatible devices found on your network, select up to 5 devices to join the group and then press **MENU** to confirm your selection and exit. All devices in the group will now play synchronised audio.

To add devices to the current group, select **MENU > Multi-room > Add to group**

To remove other devices to the current group, select **MENU > Multi-room > Remove from group**

To remove the current device from the group select **MENU > Multi-room > Leave group**

To delete the current group select **MENU > Multi-room > Dissolve group**. The group is dissolved and multi-room playback will stop.

You can also setup and control multi-room playback using the Ruark Audio Link app.

For more information visit [www.ruarkaudio.com/support](http://www.ruarkaudio.com/support)

## App control

You can also control your R7 and set up multi-room playback using the Ruark Audio Link app. Find it on the Apple/Android app store.

For more information visit [www.ruarkaudio.com/support](http://www.ruarkaudio.com/support)

### App access PIN

Set up a PIN to restrict access to your R7 so only authorised users can control it from the Ruark Audio Link app.

**MENU > System > Network > App access PIN.**

## Alarms, snooze and sleep

### Setting an alarm

An active alarm is indicated by the alarm icon and when it sounds, the icon flashes.

Select **MENU > System > Date and time > Alarms** and choose alarm 1 or alarm 2 using the **CONTROL KNOB**.



Choose when the alarm will sound (off, daily, once, weekends or weekdays), set the time and then choose to have the alarm

play a radio station, CD or sound a tone and choose the volume. Finally, select save to save the alarm and exit the set up menu.

NOTE: it is not possible to use a Bluetooth source, USB or network music server for the alarm.

### Snooze

Press the **CONTROL KNOB** to temporarily silence a sounding alarm, press it again to increase the snooze period (*5, 10, 15 or 30 minutes*).

To cancel an alarm that is sounding or in snooze mode, press and hold the **CONTROL KNOB** for two seconds.

### Sleep timer

To set the time after which your R7 will automatically switch to standby, select **MENU > System > Date and time > Sleep**.

Choose the delay in minutes (Off, 15, 30, 45, 60) and finally press the knob to confirm your selection. The display then dims to standby brightness, returns to the Now-playing screen and displays the sleep icon.

# Specifications

## Amplifiers and drivers

2 × 5.5" dual concentric drivers

1 × 8" long-throw subwoofer

180W discrete Class AB power amplifier

Integrated MM phono preamplifier

Enhanced digital 3D audio processor

## Tuner

DAB, DAB+ and FM Tuner with RDS

75 Ohm F-type DAB/FM aerial input

## CD player

CD, CD-ROM, CD-R/RW disks

MP3, WMA up to 320 kbit/s

## Digital audio

Audiophile 32-bit 112dB audio stereo DAC

Internet radio, Spotify Connect, UPnP™ DLNA

802.11b/g Wi-Fi supports WEP, WPA & WPA2 security

MP3, WMA, AAC, FLAC, WAV

SBC, AAC, A2DP, aptX, aptX HD Bluetooth

## Inputs and outputs

1 × MM phono input (RCA)

2 × Digital optical (TOSLINK)

2 × Line inputs (RCA)

1 × Line line out (RCA)

1 × Ethernet (RJ45)

5W (5V 1A) USB

3.5mm stereo jack headphone output

## Power

Mains input: 100-120/200-240 VAC 50 – 60Hz

Fuse: 250V T 6.3A

Nominal consumption: 25W

Standby consumption: 1.0W

## Physical

Dimensions without legs:

H165 mm × W1000 mm × D400 mm

(H6.5" × W39.4" × D15.7")

Weight (with legs): 27.8 kg (61.3 lbs)

Specification and design subject to modification without notice.  
Digital Tick certification obtained using the supplied wire dipole aerial.

# Safety and regulatory information

- Read this user guide and follow all instructions, it will help you set up and operate your product properly.
- Heed all warnings and keep this user guide for future reference.
- Do not attempt to use a damaged device as this could result in a dangerous electric shock.
- Do not open the unit or remove any panels to expose the electronics. No user serviceable parts inside.
- Refer all servicing to qualified service personnel. Servicing is required when the device has been damaged in any way, such as power-supply cord or plug is damaged, liquid has been spilled or objects have fallen into the device, the device has been exposed to rain or moisture, does not operate normally, or has been dropped.
- This device is intended to be operated ONLY from the AC voltages listed on the back panel or included power supply. Operation from voltages other than those indicated may cause irreversible damage to the device and void the product warranty.
- Ensure that the mains plug or mains connector into the unit is readily accessible in case disconnection from the mains is required.
- The mains adapter, mains plug or mains connector must be removed from the socket to completely disconnect the system from mains power.
- Do not place any naked flame sources, such as lighted candles, on or near the device. Do not install near any heat sources such as radiators, stoves, or other devices (including amplifiers) that produce heat.
- Avoid exposure to extreme heat or cold.
- Only use attachments/accessories specified for this device. Make no modifications to the system or accessories. Unauthorised alterations may compromise safety, regulatory compliance, and system performance.
- Only use the supplied aerial or an approved replacement.
- To reduce the risk of fire or electrical shock, do not expose the device to rain or moisture. Do not expose this device to dripping or splashing, and do not place objects filled with liquids, such as vases, on or near the device. As with any electronic products, use care not to spill liquids into any part of the system. Liquids can cause a failure and/or a fire hazard.
- Unplug this device during lightning storms or when unused for long periods of time to prevent damage to this device.
- To prevent risk of fire or electric shock, avoid overloading wall outlets, extension cords, or integral convenience receptacles.
- Long-term exposure to loud music may cause hearing damage. It is best to avoid extreme volume when using headphones, especially for extended periods.
- Do not install this device in a confined space. Always leave a space of at least 10cm around the device for ventilation and ensure that curtains or other objects never cover ventilation openings on the device.



**LITHIUM COIN CELL SAFETY NOTICE.** The remote control contains a lithium coin cell battery which if ingested, may cause chemical burns. Keep new and used batteries out of reach of small children. If you think batteries may have been ingested, seek immediate medical attention. Do not handle leaking or damaged batteries. Danger of explosion if battery is incorrectly replaced. Replace only with the same or equivalent type.



This device is labelled in accordance with European Directive 2012/19/EU concerning waste electrical and electronic equipment. This symbol indicates that the product or associated batteries should not be disposed of as general household waste. As with any electrical equipment, please dispose of it according to local regulations.



#### CE COMPLIANCE INFORMATION

This product conforms to all EU Directive requirements as applicable by law. You may obtain a free copy of the Declaration of Conformity by contacting your dealer, distributor, or Ruark Audio.

Hereby, Ruark Audio, declares that this device complies with the essential requirements and other relevant provisions of the European Radio Equipment Directive 2014/53/EU.

You can download the full CE Declaration of Conformity at [www.ruarkaudio.com/doc/R7mk3doc.pdf](http://www.ruarkaudio.com/doc/R7mk3doc.pdf)

## Troubleshooting

For help with your product, please refer to the FAQ (Frequently Asked Questions) page in the support area of our website.

For more information visit [www.ruarkaudio.com/support](http://www.ruarkaudio.com/support)

## Guarantee information

We guarantee this product to be free from defects for a period of two years from date of purchase, providing due care and attention has been paid. Product failure through accidental damage (however caused), excessive wear and tear, negligence or unauthorised modification will void your guarantee.

Should you experience a problem please contact us via our website [www.ruarkaudio.com](http://www.ruarkaudio.com) or by calling directly on 01702 601410 where we will advise the course of action. If your product needs to be returned it should be packaged in its original packing along with proof of purchase. If it is not possible to return the product by hand, then it should be sent carriage prepaid by a reputable parcel carrier. If the original packing is not available, replacement packing can be purchased from us.

## Guarantee for overseas sales

The distributor in the country of purchase guarantees products purchased outside the UK. For details, please contact your local Ruark distributor or outlet.

**THIS GUARANTEE IN NO WAY VARIES OR REMOVES THE PURCHASER'S STATUTORY RIGHTS. E&OE**

# ruarkaudio

59 Tailors Court, Temple Farm Industrial Estate,  
Southend on Sea, Essex, SS2 5TH, UK  
+44 (0) 1702 601 410 [www.ruarkaudio.com](http://www.ruarkaudio.com)

## General care

Clean with a soft, lint-free duster or slightly dampened cloth. Do not use wax sprays or other substances as these may damage the surface finish or impair performance.

Do not expose your unit to direct sunlight, high humidity, dust, excessive vibration or extreme temperatures, all of which can affect the finish, performance and reliability of the unit.

Recommended operating temperature range is 5°C to 40°C.

Natural wood finish cabinets will vary and lighten or darken with age, particularly when exposed to sunlight.

## Copyright and trademarks

© 2018 Ruark Audio. All rights reserved. Ruark Audio, the Ruark Audio logo, and other Ruark Audio marks are owned by Ruark Audio and may be registered. All other trademarks are the property of their respective owners. Ruark Audio assumes no responsibility for any errors that may appear in this manual and the information contained in it may change without notice.

Bluetooth® and associated logos are registered trademarks owned by Bluetooth SIG, Inc.

Qualcomm aptX and aptX HD are products of Qualcomm Technologies International, Ltd.

The Spotify software is subject to third party licenses found here: [www.spotify.com/connect/third-party-licenses](http://www.spotify.com/connect/third-party-licenses)

All other trademarks are the property of their respective owners.

Designed in  
Great Britain



20190430.1





High Fidelity Radiogram  
R7 mk3

User guide	EN
<b>Brugervejledning</b>	<b>DA</b>
Bedienungsanleitung	DE
Guía del usuario	ES
Guide de l'utilisateur	FR
Manuale dell'utente	IT
Gebruikershandleiding	NL
Brukerveiledning	NO

ruarkaudio

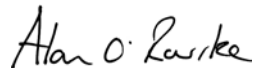
Tak fordi du har valgt vores R7 mk3 High Fidelity radiogram.

Inspireret af klassisk design fra midten af århundredet er R7 en udvikling af vores oprindelige ikoniske design, og med sit fantastiske udseende og fantastiske lyd kvalitet garanterer vi, at du genoplever musikglæden.

Tag dig god tid til at læse denne brugervejledning, da den vil hjælpe dig med at få det bedste ud af din R7.

Hvis du passer på den, er vi overbevist om, at R7 vil give dig mange års lytteglæde, og hvis du får brug for hjælp eller råd, må du endelig kontakte os. Som et britisk familieforetagende er vi stolte af vores kundeservice, og vi vil altid gøre vores allerbedste for at hjælpe.

Endnu engang mange tak, fordi du valgte Ruark Audio.

A handwritten signature in black ink that reads "Alan O'Rourke". The signature is written in a cursive, flowing style.

Alan O'Rourke  
Grundlægger og administrerende direktør

# Indholdsfortegnelse

Hvad er der i æsken?	4	Musik streaming tjenester	25
Betjening	5	Line in og optisk	26
Oversigt	6	Phono	26
Montering af ben eller fødder	7	Indgangsniveau-justering	26
Godt begyndt...	8	Multi-room	27
Fællesfunktioner	10	App kontrol	28
Systemindstillinger	13	Alarmer, snooze og sleep	28
FM-radio	15	Specifikationer	29
DAB-radio	16	Sikkerheds- og lovgivningsmæssige oplysninger	30
Internetradio	17	Fejlsøgning	31
CD-afspiller	19	Garantiinformation	32
Bluetooth	20	Generel pleje	32
Musikafspiller	22	Copyright og varemærker	32
DLNA mediestreaming	24		

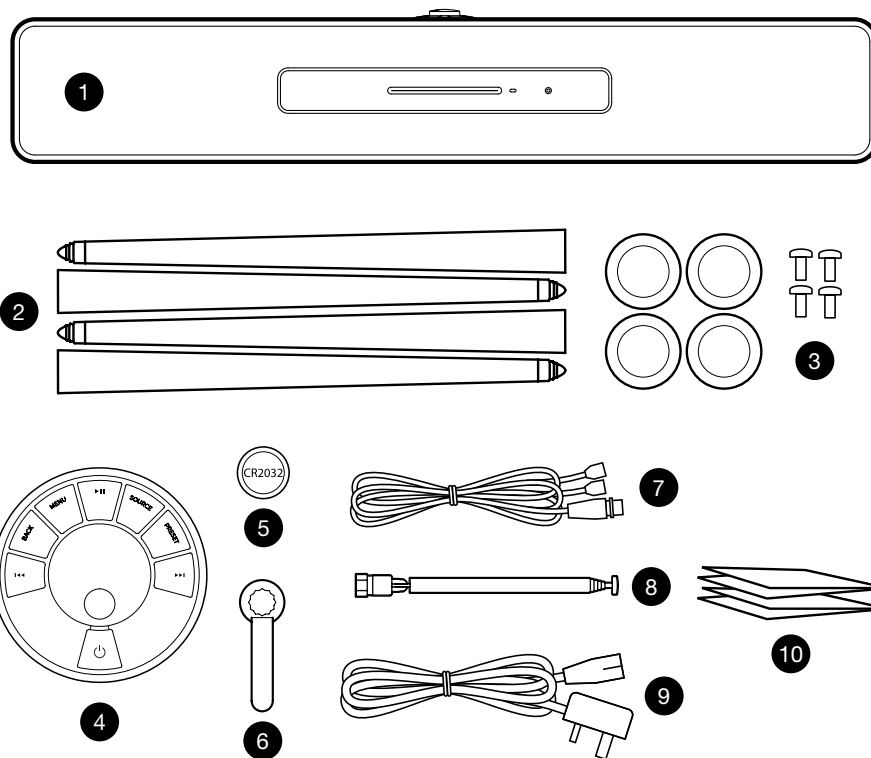
# Hvad er der i æsken?

Tjek om alle de dele, der er anført nedenfor, er i æsken.

Hvis der mangler dele, må du ikke bruge R7, men skal kontakte os direkte, hvis den er købt i Storbritannien eller en Ruark Audio-forhandler, hvis den er købt udenfor Storbritannien.

- 1 R7
- 2 Fire tynde ben
- 3 Fire fødder og befæstelsesskruer
- 4 Fjernbetjening
- 5 Fjernbetjeningsbatteri (CR2032)
- 6 Antenne skruenøgle
- 7 Trådantenne
- 8 Teleskopantenne
- 9 El-ledning
- 10 Brugervejledning & andre dokumenter

Gem om muligt forsendelseskassen og alt indpakningsmateriale.



# Betjening

Betjeningen på R7 er nøjagtig den samme som på fjernbetjeningen.

11  – **STANDBY**

12 **KONTROLKNAP / VÆLGE**

Drej den for at justere lydstyrken fra en Spiller-Nu skærm

Drej den for at gennemse menuer, spor eller stationslister\*

Tryk for at **VÆLGE**

13. **▶▶I** – tryk for at gå til næste station eller spor, hold den trykket ned for at spole hurtigt frem

14. **I◀◀** – tryk for at gå til forrige station eller spor, hold den trykket ned for at spole hurtigt tilbage

15. **PRESET** – tryk for at finde en gemt station eller tryk og hold ned i to sekunder for at gemme en radiostation.

16. **SOURCE** – tryk for at ændre lydkilde

17. **▶II** – tryk for at afspille/pausere et spor eller mute lydindgange og radio

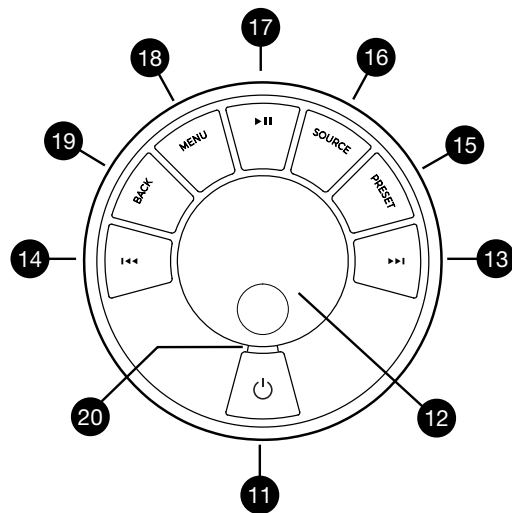
18. **MENU** – tryk for at se menuen

19. **BACK** – tryk for at gå tilbage til forrige menu eller liste-skærm

20. **INDIKATORLAMPE**

På R7'en indikerer den, at dit musiksystem er tændt og blinker, når Bluetooth er parat til parring, eller når du bruger fjernbetjeningen.

På fjernbetjeningen blinker den, når du trykker på en tast eller bruger kontrolknappen, og når batteriet er lavt, skifter lyset fra blå til rav.



DA

\* Du kan også trykke **▶▶I** eller **I<<<** for at gennemse menuer, spor, kilder eller stationslister

---

*Det er vigtigt, hvor længe du trykker på en tast.*

*Tryk = slå let eller tryk og slip straks*

*Tryk og hold = tryk og slip efter to sekunder*

---

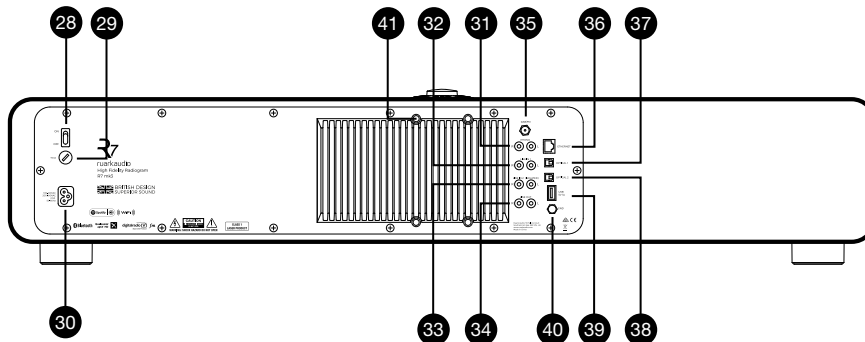
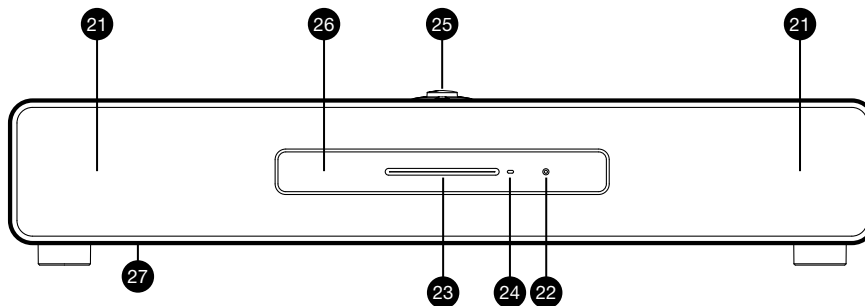
# Oversigt

## Front

- 21. To koncentriske stereodrivere
- 22. Hovedtelefon ud (3,5mm stik)
- 23. CD-indstik
- 24. CD-udskubningsknap
- 25. Betjening
- 26. OLED Display
- 27. Subwoofer

## Tilbage

- 28. Strømafbryder
- 29. Sikring
- 30. Indstik til el-ledning
- 31. Phono-indgang
- 32. Line in 1
- 33. Line in 2
- 34. Line out
- 35. DAB-FM-antenne
- 36. Ethernet
- 37. Optisk input 1
- 38. Optisk input 2
- 39. USB
- 40. Jordklemme
- 41. AV monteringsfastgørelsespunkter (4xM8)



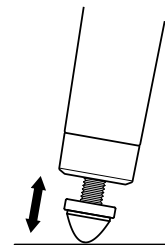
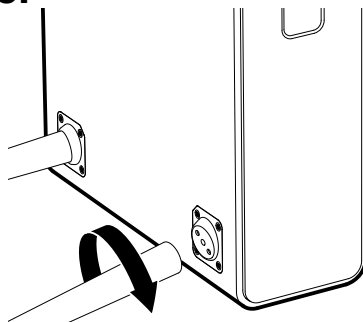
# Montering af ben eller fødder

**Få hjælp til at flytte din R7, da den er tung og let bliver beskadiget!**

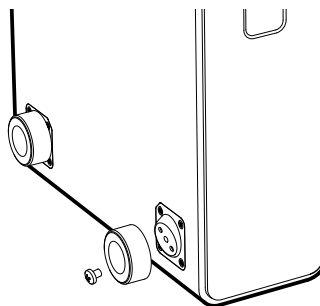
Tag forsigtigt din R7 ud af beskyttelsesposen og læg den på siden på en stabil, ren og flad overflade som f.eks. et tæppe eller beskyttelsesposen.

For at sætte din R7 på ben skal du skrue de fire ben i monteringspladerne på undersiden af kabinettet og fastgøre hvert ben så det er sikkert, men pas på ikke at spænde for meget. Drej forsigtigt R7 til dens endelige plads, og indstil, hvis nødvendigt, benspidserner for at sikre, at den er fuldstændig stabil.

For a rejse R7 anbringes en fod på hver af de fire monteringsplader på undersiden af kabinettet, idet du sørger for, at de alle er korrekt rettet ind. Brug en egnet skruetrækker til at skrue dem fast med de medfølgende skruer. Drej forsigtigt din R7 og placér den på en passende stærk og sikker overflade.



DA



*Pas på ikke at beskadige højttalergitterne, når du flytter din R7.*

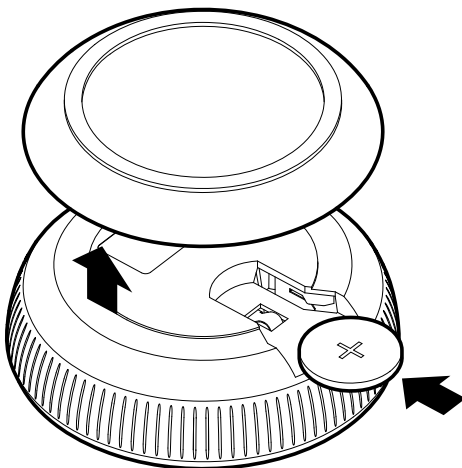


*R7 er tung og forkert håndtering kan skade enheden eller forårsage personskade.*

# Godt begyndt...

## 1 Montér fjernbatteri

Træk forsigtigt den magnetiske stålbase af og med forsiden nedad og føres batteriet (type CR2032) ind i rillen, idet det sikres, at den flade side med +-mærket vender opad. Sæt stålbunden på igen.



---

*Bemærk, at fjernbetjeningen muligvis ikke virker, før den er sammenkoblet til hovedsystemet (se trin 6).*

---

## 2 Tilslut antennen

Tilslut enten ledningen eller teleskopantennen til DAB/FM-antennestikket på bagsiden af din R7 og stram det forsigtigt med den medfølgende nøgle. Brug den antenne, der fungerer bedst til dig, selvom vi for at opnå den bedste modtagelse stærkt anbefaler at bruge en ekstern, professionelt installeret antenne.

## 3 Tilslut til vekselstrømsforsyningen

Sæt el-ledningens stik i el-bøsningen bag på dit musiksystem og sæt den anden ende i en stikkontakt.

## 4 Tænd

Sæt strømkontakten bag på dit musiksystem i ON-indstillingen. R7 er nu i standby.

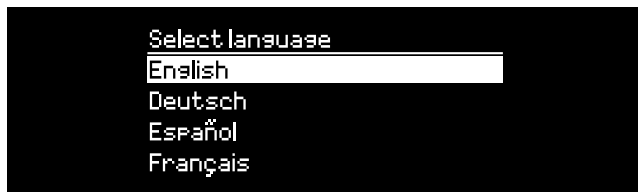
Tryk, for at tænde din R7 på **STANDBY** på kabinetbetjeningen og R7-logoet vises på skærmen.





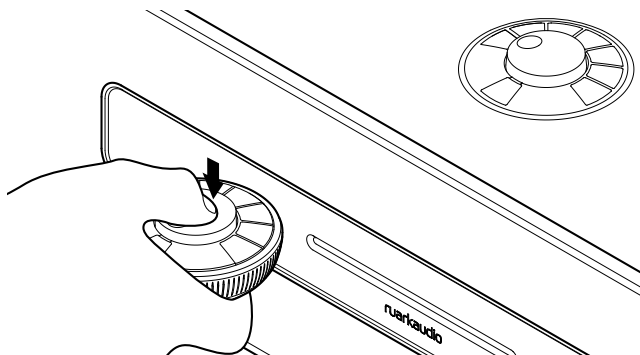
## 5 Vælg sprog

Drej **KONTROLKNAPPEN** til dit foretrukne valg er fremhævet, tryk derefter på **VÆLG**.



## 6 Sammenkobl fjernbetjeningen

Når du bliver bedt om at sammenkoble fjernbetjeningen, skal du holde den meget tæt på displayet og trykke og hold på **VÆLG**.



Når fjernbetjeningen er sammenkoblet, vil du se en bekræftelse på skærmen, og fjernbetjeningen er så klar til brug, tryk **VÆLG** for at fortsætte.

Du skal normalt ikke sammenkoble den igen, men hvis du skal, skal du blot holde den meget tæt på skærmen og trykke og holde enhver tast nede, indtil du får bekræftelsesmeddelelsen. Du kan gøre dette i enhver tilstand.

## 7 Konfigurationsguide

Når du tænder din R7 første gang, vil installationsguiden hjælpe dig med at konfigurere uret og oprette forbindelse til dit netværk.



Start konfigurationsguiden ved at dreje **KONTROLKNAPPEN** indtil **JA** fremhæves og tryk derefter på knappen **VÆLG**. Hvis du vælger **NEJ**, starter din R7 uden at konfigurere tid/dato og netværksindstillinger.

## 8 Vælg en kilde

Når konfigurationen er afsluttet, vil R7 vise en menu med en liste over tilgængelige kilder. Brug **KONTROLKNAPPEN** til at vælge kilde, og tryk på **VÆLG**.

## 9 Nyd din musik!

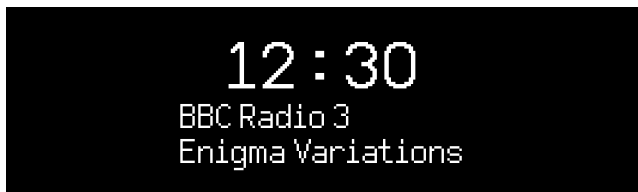
## Fællesfunktioner

### Tænd og gå i standby.

Tryk på **STANDBY** for at tænde for musiksystemet. Tryk igen for at skifte til standby.

### Skærbilleder, der viser, hvad der spiller

Medmindre du er ved at justere en indstilling, vil skærmen ligne nedenstående eksempel med uret for oven og station/spor/album/kunstner-information for neden.



Ikonerne på skærmen for neden vises, når deres respektive funktioner er aktive.



Alarm

Shuffle

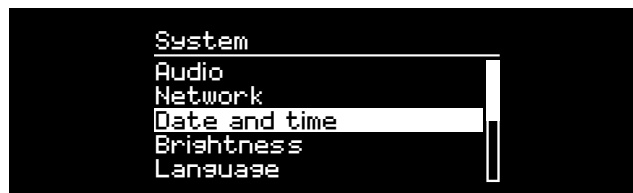


Sleep timer

Gentag

## Menu-skærme

Menuerne gør det muligt at indstille de forskellige muligheder, som f.eks. at justere bas og diskant. For at ændre en indstilling tryk på **MENU** for at vise listen over tilgængelige muligheder, drej **KONTROLKNAPPEN** for at fremhæve den, du vil ændre og tryk derefter på knappen for at bekræfte dit valg.



### Gennemse menuer, spor- og stationslister

For at skifte indstillinger – tryk på **MENU**

For at rulle igennem valg – drej **KONTROLKNAPPEN**

For at vælge valg – tryk på **KONTROLKNAPPEN**

For at forlade menu – tryk på **MENU** eller vent nogle få sekunder

For at gå tilbage til forrige menu/liste – tryk på **TILBAGE**

---

*Det er vigtigt, hvor længe du trykker på en tast.*

*Tryk = slå let eller tryk og slip straks*

*Tryk og hold = tryk og slip efter to sekunder*

---

## Indstil lydstyrken

Drej **KONTROLKNAPPEN** fra enhver Spiller-Nu skærm. Højtaler- og hovedtelefonlydstyrker justeres separat, så når hovedtelefoner er sat i, vil lydstyrken blive vist som *Volume (HP)*.

BEMÆRK: hvis der drejes på **KONTROLKNAPPEN**, når en menu eller spor/stationsliste bliver vist, vil der blive rullet igennem menuen eller listen og lydstyrken vil ikke blive ændret.

## Skift lydkilde

Tryk på **SOURCE** for at se den aktuelle lydkilde, drej **KONTROLKNAPPEN** for at rulle igennem listen over kilder og tryk derefter på knappen for at vælge en, der vises. (Du kan også trykke på **SOURCE** gentagne gange for at køre igennem listen over kilder i stedet for at dreje på knappen.)



Internet radio

## Multi-room

Denne enhed er fuldt kompatibel med Ruark Audio multi-room og giver dig mulighed for at streamer musik problemfrit fra et rum til et andet. Se 'Multi-room' for yderligere oplysninger.

## Pausér nummeret, eller slå lyden fra

Tryk på **▶||**, og tryk så igen for at genoptage lytning.

## Afspil næste/forrige spor

Tryk på **▶▶|** for at gå til næste spor i mappen eller albummet, tryk på **|◀◀** for at gå til begyndelsen af det aktuelle spor, og tryk igen for at gå til forrige spor.

## Hurtig fremspoling eller tilbagespoling af spor

Tryk og hold **▶▶|** eller **|◀◀** (fungerer måske ikke med Bluetooth).

## Skift FM-radiostation

Tryk på **▶▶|** eller **|◀◀** for at vælge næste eller forrige station. Se 'FM' for yderligere oplysninger.

## Skift DAB-radiostation

Tryk på **▶▶|** eller **|◀◀** for at tune ind på den næste eller forrige station.

Du kan også se multiline-stationslisten ved at vælge **MENU > Station list**.

Se 'DAB' for yderligere oplysninger.

## Skift station- eller spordinformation

Skift den station-/spordinformation, der vises, ved at vælge en af mulighederne fra **MENU > Info**.

---

*For at gå tilbage til forrige menuniveau eller stationsliste, tryk på **TILBAGE***

---

## Gem radiostationforindstilling

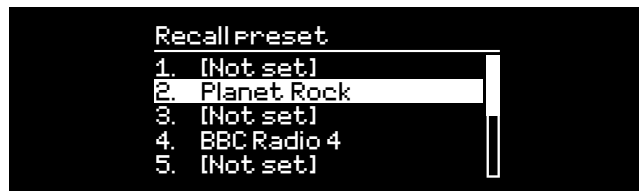
Tryk og hold **PRESET** nede indtil 'Gem preset' vises og drej derefter på **KONTROLKNAPPEN** for at vælge forindstillingsnummeret og tryk derefter på knappen for at gemme den aktuelle station. Forindstillinger er enten markeret med stationsnavn, frekvens eller som '[Not set]'.



Hvis du gemmer en station over en eksisterende forindstilling, vil den nye station erstatte den gamle.

## Find radiostationforindstilling

Tryk på **PRESET**, drej **KONTROLKNAPPEN** for at rulle igennem listen over forindstillede stationer og tryk derefter på knappen for at vælge en station.



## Tilkobl et Bluetooth-udstyr

Når du ændrer kilden til Bluetooth, forsøger din R7 automatisk at oprette forbindelse til den sidst tilsluttede enhed. Hvis du endnu ikke har parret dit udstyr, eller det tidligere udstyr ikke er tilgængeligt, vil R7 gå i parringstilstand. Se 'Bluetooth' for yderligere oplysninger.

## Hovedtelefoner

Tilslut dine hovedtelefoner til det 3,5mm stereo-jackstik foran på R7.

Hovedtelefonlydstyrken justeres separat fra højttalerlydstyrken, så når hovedtelefoner er sat i, vil lydstyrken blive vist som *Volume (HP)*.

## USB-opladning

USB-stikket på R7 er 5W (5V - 1,0A) og vil strømforsyne de fleste smarte enheder og USB-drevent tilbehør.

---

Bemærk: **MENU > Systemindstillinger > Audio** betyder tryk på **MENU**, vælg **Systemindstillinger** og vælg til slut **Audio**

---

# Systemindstillinger

## Bas, diskant og sub

### **MENU > System > Audio > Bas, Diskant og Sub niveau**

Justér bas- og diskant-niveauer med **KONTROLKNAPPEN** og tryk derefter på den for at gemme indstillingen.

## Lydstyrke

Lydstyrke booster automatisk diskant- og basfrekvenserne ved lavere lydstyrker.

### **MENU > System > Audio > Loudness**

## 3D-lyd

3D udvider stereolydfasen og skaber en mere fordybende og involverende lyd.

### **MENU > System > Audio > 3D**

## Dato og tidspunkt

### **MENU > System > Date and time**

Tidspunkt og dato synkroniseres automatisk med nationale tidssignaler, der udsendes over DAB, netværk og FM (FM-tidssynkronisering er muligvis ikke altid tilgængelig).

Du kan også indstille tidspunktet manuelt ved at slukke for automatisk opdatering og ændre tids- og datoformatet.

## Display-lysstyrke

### **MENU > System > Brightness**

Justér displayets lysstyrke uafhængigt, når der er tændt for din R7 og i standby.

Når lysstyrken er indstillet til 0, slukker displayet automatisk efter nogle få sekunder. Displayet lyser derefter kortvarigt, når der trykkes på en tast.

Du kan også justere standby lysstyrken, når din R7 er i standby ved at trykke på ►► eller ◄◄.

## Sprog

### **MENU > System > Language**

Skift menusprog.

## Softwareopdatering

### **MENU > System > Software update**

R7 er indstillet til automatisk at tjekke for softwareopdateringer. Hvis en er tilgængelig, vil du blive spurgt, om du ønsker at downloade og installere den.

ADVARSEL: Hvis strømmen afbrydes under en softwareopdatering, kan det beskadige din R7 permanent.

## Fabriksnulstilling

### **MENU > System > Factory reset**

Nulstiller alle indstillinger og rydder forindstillinger.

---

*Aktuelt gemte indstillinger er markeret med en stjerne (\*)*

---

## Konfigurationsguide

### **MENU > System > Setup wizard**

Kører konfigurationsguiden for at guide dig gennem indstilling af ur og netværk.

### **Inaktiv standby**

R7 skifter automatisk til standby, hvis der ikke er nogen lyd i mere end 20 minutter. For at ændre dette vælg **MENU > System > Inactive standby**.

### **Netværksguide**

Find hjælp til at koble til et netværk ved at vælge **MENU > System > Network > Network wizard**.

### **Netværksprofiler**

R7 vil automatisk forsøge at koble til alle netværk, den tidligere har været tilkoblet til.

Se listen over gemte netværk ved at vælge **Menu > System > Network > Network profile**. Slet et uønsket netværk ved at fremhæve det, trykke på **KONTROLKNAPPEN** og vælge **YES**.

### **Hold netværksforbindelsen tilkoblet**

#### **MENU > System > Network > Keep connected**

Vælg om din R7 altid skal forblive tilkoblet til dit Netværk, selv i standby (standard). Vi anbefaler, at du indstiller den til *keep connected*, da det vil sikre, at din R7 altid er tilgængelig til brug af Spotify eller DLNA musikstreaming. Vi anbefaler det også, hvis du har indstillet dit ur til at opdatere fra Netværk.

## Systeminformation

Viser oplysninger om din R7, inklusiv softwareversion, unik radio ID-kode og kaldenavn.

### **Avancerede netværksindstillinger**

Der er andre avancerede netværksindstillinger for erfarne brugere til manuel konfiguration eller fejlfinding og udbedring af netværksproblemer.

### **Kaldenavn**

Kaldenavnet er det, din R7 bliver vist som på netværk, Spotify og Bluetooth. Du kan ændre det til noget mere beskrivende, som f.eks. "Archies R7" eller "Stue R7".

Du kan se din R7's status og ændre dens kaldenavn ved at se på dens webside i en browser. I Windows vil din R7 blive vist som en Medieenhed, et dobbeltklik på ikonet vil åbne konfigurationssiden i din browser.

For yderligere information besøg [www.ruarkaudio.com/support](http://www.ruarkaudio.com/support)

## FM-radio

Når du lytter til FM, viser din R7 stationens navn og andre RDS / RBDS\* programoplysninger, når det er tilgængeligt.

*\*Radio Data System/Radio Broadcast Data System*



## Skift station

Tryk på ►► eller ◀◀ for automatisk at tune ind på næste tilgængelige FM-station. Hvis RDS/RBDS ikke er tilgængelig, vises frekvensen i stedet for.



## Scan indstillinger

Du kan ændre scanningindstillingen, så den kun stopper ved stationer med et stærkt signal ved at vælge **Menu > Scan setting > Strong stations only**.

## Programoplysninger

Vælg mellem radiotekst, programtype, frekvens, signalstyrke og dato ved at vælge **MENU > Info**.

## Manuel tuning

Vælg **MENU > Manual tune**, hvorefter du enten kan dreje **KONTROLKNAPPEN** eller trykke på ►► eller ◀◀ for at skifte frekvens.

## Gem forindstilling

Du kan gemme 10 FM-stationer i listen over forindstillede stationer. Stationsnavnet vil kun blive gemt, hvis RDS/RBDS er tilgængeligt. Se afsnittet 'Fællesfunktioner'.

## Find forindstilling

Se afsnittet 'Fællesfunktioner'.

## Mono

Når et FM-signal bliver svagere, øges hiss-niveauet. For at reducere dette, vælg **Menu > Mono**.

---

*For at reducere hiss på svagere FM-stationer anbefales det at slukke for 3D-lyden*

---

# DAB-radio

Når du lytter til DAB/DAB+, viser din R7 stationens navn og andre DLS\* programoplysninger, når det er tilgængeligt.

Den første gang du bruger din R7, eller hvis stationslisten er tom, vil den automatisk udføre en fuld scanning for at identificere tilgængelige stationer.

\*Dynamic Label Segment

## Skift station

Tryk på ►► eller ◀◀ for at tune ind på den næste/forrige station.

## Stationsliste

For at se en liste over tilgængelige DAB-stationer vælg **MENU** > **Stationsliste** eller tryk på ►► eller ◀◀. Fremhæv den station, du ønsker at lytte til, og tryk på **VÆLG**.



## Programoplysninger

Vælg mellem radiotekst, programtype, signalstyrke og -format, dato ved at vælge **MENU** > **Info**.

## Gem forindstilling

Du kan gemme 10 DAB-stationer i listen over forindstillede stationer. Se afsnittet 'Fællesfunktioner'

## Find forindstilling

Se afsnittet 'Fællesfunktioner'

## Sekundære tjenester

Nogle DAB-radiostationer har en eller flere sekundære stationer tilknyttet. Hvis en sekundær station er tilgængelig, vil '>>' blive vist efter det aktuelle stationsnavn i stationslisten.

Sekundære stationer er angivet med '<<' før stationsnavnet.

## Stationsrækkefølge

DAB-stationslisten kan blive opstillet som enten *Alphanumeric*, *Ensemble* eller *Valid*. *Alphanumeric* lister stationerne i alfabetisk rækkefølge, *Ensemble* grupperer stationer fra den samme programvært, *Valid* viser tilgængelige stationer først og placerer ugyldige stationer (markeret med '?') sidst.

Skift stationsrækkefølge ved at vælge **Menu** > **Station order** og vælg **Alphanumeric** (standard), **Ensemble** eller **Valid**.

---

Ugyldige stationer har et '?' foran stationsnavnet

---



## Stationsscanning

Hvis stationslisten er tom vil radioen automatisk udføre en fuld scanning, lige så snart der skiftes til DAB.

I alle tilfælde anbefaler vi, at der udføres en fuld scanning nu og da for at opdatere stationslisten fordi:

- Nye stationer bliver nogen gange tilgængelige
- Stationer lukker eller vil måske ikke længere blive modtaget
- Modtagelse var dårlig under den oprindelige scanning (f.eks. var antennen ikke korrekt monteret)
- Du flytter radioen til en anden region

For at udføre en fuld scanning vælg **MENU > Scan**.

## Fjern svage eller ugyldige stationer

Svage (boblende) eller ugyldige stationer har '?' foran stationens navn og kan fjernes ved at vælge **MENU > Prune invalid**.

## Internetradio

R7 kan afspille tusindvis af internetradiostationer og podcasts fra hele verden (internetadgang påkrævet).

### Hovedmenu

Den første gang du lytter til internetradio, vil du kunne se hovedmenuen for denne tilstand.



Hvis du har lyttet til internetradiostationer på R7 tidligere, vil den automatisk gå ind på den station, du sidst lyttede til.

### Seneste stationer

Åbn en liste med stationer, du lyttede til for nylig, ved at vælge **MENU > Last listened**.

Når du bruger R7 første gang, vil listen være tom.

### Stationsliste

Du kan gennemse eller søge i den omfattende liste over stationer ved at vælge **MENU > Station list** og vælge blandt de forskellige muligheder, inklusive genre, beliggenhed og popularitet.

## Oplysninger om, hvad der afspilles

Stationsnavnet vises sammen med anden information som f.eks. kunstner og spornavn. Du kan ændre, hvad der vises, ved at vælge **MENU > Info** og vælge mellem radiotekst, genre, signalkvalitet, spornavn, beliggenhed og dato.

## Søg efter en station

Søg efter en station ved at vælge **MENU > Station list > Stations > Search stations** og derefter indtaste navnet på stationen, som du søger efter.

## Podcasts

Mange stationer vil have tilknyttede podcasts, som du kan gennemse og søge efter lige som internetradiostationer.

## Slå lyd fra/til

Tryk på ►|| for at slå lyd fra og tryk igen for at genoptage lytning.

## Gem en forindstilling

Du kan gemme 10 Internetradiostationer i listen over forindstillede stationer. Se afsnittet 'Fællesfunktioner'.

## Find en forindstilling

Se afsnittet 'Fællesfunktioner'.

## Ruark radiportal

Foruden forindstillinger har *Internet radio* to andre muligheder for at gemme og organisere dine foretrukne radiostationer ved brug af den online Ruark radiportal.

Besøg [www.ruarkaudio.com/radiportal](http://www.ruarkaudio.com/radiportal) for yderligere information.

Du vil få brug for din radios unikke portaladgangskode, så få fat i den ved at vælge **Menu > Station list > Help > Get access code**.

## Min favoritter

Dette er næsten som at gemme forindstillinger med undtagelse af, at stationerne gemmes online, på Ruark radiportalen. Det betyder, at dine gemte favoritstationer er tilgængelige fra ethvert Ruark internetradioprodukt, der er registreret på den samme konto.

For at gemme en station som en favorit skal du trykke og holde ned på **KONTROLKNAPPEN** indtil *Favourite added* vises. Dette er kun tilgængeligt, hvis du har registreret din R7 på radiportalen.

## Mine tilføjede stationer

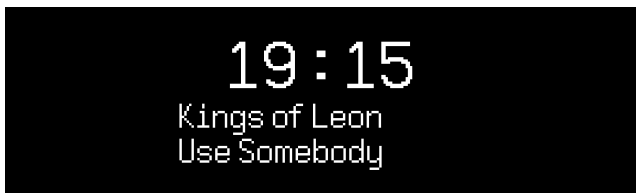
Du kan manuelt tilføje stationer, der ikke allerede er på anført, ved at besøge den online Ruark radiportal. Stationer, der er tilføjet på denne måde, er tilgængelige ved at vælge **MENU > Station list > My added stations**.

## CD-afspiller

Sæt en CD i ved at skubbe den forsigtigt ind i CD-indstikket. Når den er indlæst, afspilles den automatisk.

### Oplysninger om, hvad der afspilles

Generelt vises spornummer og tidspunkt på audio CD'er, og spor og albumnavn på MP3 CD'er.



Du kan ændre, hvad der vises, ved at vælge **MENU > Info** og så vælge fra album og kunstnerinformation, statusbjælke eller filnavn (mulighederne variere alt efter CD-typen).

### Afspil/Pause

Tryk på ►|| for at afspille eller pausere et spor

### Stop afspilning

Langt tryk ►||

### Spring sporet over

Tryk på ►► eller ◀◀ for at gå til næste eller forrige spor.

### Hurtig fremspoling eller tilbagespoling

Tryk og hold ned på ►► eller ◀◀ for at spole hurtigt frem eller tilbage.

## Skub ud

Tryk på skub ud-knappen ved siden af Cd-indstikket

## Bland

Du kan afspille spor i vilkårlig rækkefølge ved at vælge **MENU > Bland > Til**

## Gentag

Gentag et enkelt spor eller alle spor ved at vælge **MENU > Gentag > Et** eller **Alle**

DA

---

*Mappestrukturer på MP3/WMA/AAC diske vil blive ignoreret, og sporene vises på én liste*

*Rettighedsbeskyttet WMA og AAC kan ikke afspilles*

---

## Bluetooth

Din R7 understøtter aptX til streaming af cd-kvalitet og aptX HD til 24-bit hi-streaming streaming. Den forbinder automatisk til din Bluetooth-enhed ved hjælp af den højeste kvalitetstilslutning, der understøttes af din enhed.

### Parring af Bluetooth-udstyr

Når du har ændret kilden til Bluetooth, skal du vente indtil *Awaiting connection...* vises og indikator-lyset på toppen blinker.

Brug Bluetooth-opsætningen på dit smart-udstyr for at parre og tilkoble det til din R7. Det vil blive vist i listen over parret udstyr som *Ruark R7\**. Når du er tilsluttet, vises *BT Connected + dit enhedsnavn* (f.eks. Archie's telefon).

Det kan tage nogen få sekunder, før R7 vises i listen på dit udstyr og i nogle tilfælde kan det være nødvendigt at indtaste "0000" som parringadgangskode.

Hvis du ikke tilkobler indenfor nogle få minutter, vil R7 holde op med at prøve at tilkoble og vise *No connection*. For at tilkoble vælg **MENU > Connect device**.

### Tilkobling af Bluetooth-udstyr

Lige så snart du skifter til Bluetooth, vil din R7 vise *Connecting*, idet den forsøger at tilkoble til det sidste udstyr, den blev parret med.

Hvis dette udstyr ikke er tilgængeligt, vil den vise *Awaiting connection...* For at tilkoble til din R7 skal du sørge for, at Bluetooth-funktionen på udstyret er tændt og vælge *Ruark R7\** fra listen over parret udstyr på dit Bluetooth-udstyr.

## Kaldenavn

\*Din R7 vil blive vist som Ruark R7 på Bluetooth-udstyr, men du kan ændre det til noget mere beskrivende, som f.eks. "Archies R7" eller "Stue R7". Se 'Systemindstillinger'

## Lydafspilning

Når udstyret er tilkøbt, vil lyd fra Bluetooth-udstyret afspille igennem R7. Find yderligere information om lydafspilning fra Bluetooth-udstyret i udstyrets vejledning.

BEMÆRK: det kan blive nødvendigt at vælge Ruark R7 eller Bluetooth som lydudgang på udstyret.

## Pausér spor

Tryk på **▶||**, og tryk så igen for at afspille.

## Afspil næste/forrige spor

Tryk på **▶▶** for at gå til næste spor i mappen eller albummet, tryk på **◀◀** for at gå til begyndelsen af det aktuelle spor, og tryk igen for at gå til forrige spor.

## Indstil lydstyrken

Vi anbefaler, at du justerer lydstyrken på dit Bluetooth-udstyr, så afspilningsvolumenet er omtrent det samme som på andre kilder. Du kan derefter bruge lydstyrken på din R7 til at justere den samlede afspilningsvolumen.

## Oplysninger om, hvad der afspilles

Kunstner-, album- og spornavn vises, hvis Bluetooth-udstyret og app'en understøtter Bluetooth-metadata. Du kan også vise navnet på det tilsluttede udstyr. Vælg det, der skal vises, fra **MENU > Info**.

## Driftsområde

Dette er typisk op til 10 m fra R7. Forhindringer som f.eks. vægge vil imidlertid reducere dette.

## Frakobl aktuelt udstyr

For at frakoble det aktuelle udstyr og tilkoble et nyt vælg **MENU > Connect device**.

## Parring af yderligere udstyr

Du kan parre op til 7 udstyr, selvom du kun vil kunne afspille lyd fra ét ad gangen.

## Rydning af listen over parret udstyr

Hvis du har problemer med at tilkoble dit Bluetooth-udstyr, anbefaler vi, at du rydder al parringinformation. For at gøre dette vælg **MENU > Clear devices**.

Du skal også slette *Ruark R7* fra listen over parret udstyr på Bluetooth-udstyret, før det parres til R7 igen.

For yderligere information besøg [www.ruarkaudio.com/support](http://www.ruarkaudio.com/support)

---

*Du kan ikke bruge Bluetooth-funktionen på R7 til at tilkoble til Bluetooth-hovedtelefoner*

---

# Musikafspiller

Musikafspiller giver dig mulighed for at afspille lydfile, der er gemt på en computer på dit netværk, en USB-hukommelsesstick eller bærbar harddisk.

## USB-musikafspiller

For at afspille lyd fra en USB-masselagringsenhed (Skal være FAT32-format), som f.eks. en USB-Flashstick eller USB-harddisk, skal den tilsluttes til USB-stikket bag på R7.

Når du først tilslutter en USB-masselagringsenhed, vil din R7 automatisk spørge, om du ønsker at se sporlisten. Hvis du vil se sporlisten på et andet tidspunkt, vælg **Menu > USB**.



## Netværksmusikafspiller

R7 er fuldt is fuldt DLNA-kompatibel og vil afspille musik, der er lagret på delte mediebiblioteker eller andet udstyr på dit netværk. Et delt bibliotek kan være en laptop, smartphone eller tablet, men det kan også være på en dedikeret musikserver, som f.eks. et NAS-drev (Network Attached Storage).

De fleste computere, der bruger Windows, er allerede konfigureret som medieservere og det samme gælder de

fleste NAS-drivere - nogle routere vil ligeledes fungere som medieservere. Der er mange apps for Mac, iOS, Linux, Android, Windows-telefon, Blackberry, Symbian osv., der vil gøre din MP3-afspiller, smartphone eller tablet til en musikserver.

For at afspille musik, der er delt af udstyr på dit netværk, vælg **Menu > Shared media**. Når R7 har scannet netværket for delte medier, vil du se en liste over musikservere, der består af computernavn og delt medienavn som f.eks. *<Ruark-Laptop: Archie Music>*.

Menerne efter dette genereres af medieserveren, selvom du i de fleste tilfælde vil finde muligheder for at gennemse efter genre, mappe, kunstner, album osv.

Hvis R7 ikke er tilkoblet et netværk, vil den forsøge at tilkoble.

For yderligere information besøg [www.ruarkaudio.com/support](http://www.ruarkaudio.com/support)

## Gennemse og afspil musik

Drej **KONTROLKNAPPEN** for at rulle igennem sporlisterne og tryk derefter på knappen for at åbne den/det fremhævede mappe/album eller afspille sporet.

Gå tilbage til forrige skærmbillede ved at trykke på **BACK**.

## Pausér spor

Tryk på **▶||**, og tryk så igen for at afspille.

---

*Rettighedsbeskyttede WMA- og AAC-spor kan ikke afspilles på din R7.*

---

## Spring sporet over

Tryk på ►► for at gå til næste spor i mappen eller albummet, tryk på ◀◀ for at gå til begyndelsen af det aktuelle spor, og tryk igen for at gå til forrige spor.

## Hurtig fremspoling eller tilbagespoling

Tryk og hold ned på ►► eller ◀◀ for at spole hurtigt frem eller tilbage.

## Bland afspilning

For at afspille spor i vilkårlig rækkefølge vælg **MENU > Shuffle** og tryk på **KONTROLKNAPPEN** for at slå bland afspilning til og fra.

BEMÆRK: Det vil måske ikke være muligt at bruge denne funktion, hvis mappen indeholder et stort antal spor.

## Gentag afspilning

Gentag et enkelt spor eller alle spor i den aktuelle mappe ved at vælge **MENU > Repeat** og trykke på **KONTROLKNAPPEN** for at slå gentag afspilning til og fra.

## Min afspilningsliste

Du kan skabe din egen afspilningsliste og -kø med op til 500 spor. Disse kan være en blanding af spor fra alle tilgængelige medieservere og en tilsluttet USB-enhed. For at administrere din afspilningsliste vælg **Menu > My playlist**.

For at tilføje et spor eller en mappe til din afspilningsliste skal du fremhæve det/den og trykke og holde ned på **KONTROLKNAPPEN** i to sekunder.

For at fjerne et spor fra din afspilningsliste skal du fremhæve sporet i Min afspilningsliste og derefter trykke og holde ned på **KONTROLKNAPPEN** i to sekunder.

Bemærk, at din afspilningsliste gemmes, så længe din R7 forbliver tændt eller er i standby, men vil blive slettet, hvis du slukker for den.

## Oplysninger om, hvad der afspilles

Spornavnet vises typisk med yderligere information nedenunder. Du kan ændre, hvad der vises ved at vælge **MENU > Info** og så vælge mellem album- og kunstnerinformation, visning af statusbjælke eller dataformat.

## Beskær servere

R7 vil automatisk gemme navnet på musikservere, som den er tilsluttet til og de, der ikke aktuelt er tilgængelige, vises med et spørgsmålstegn før navnet, som f.eks. *'?Home-Laptop'*. Du kan fjerne disse fra listen ved at vælge **MENU > Prune servers > YES**.

## DLNA mediestreaming

Du kan også streame lyd til din R7 fra en Digital Living Network Alliance- (DLNA) kompatibel medieserver. Det er, når du leder efter musik på selve serveren og afspiller den igennem din R7. Der er mange apps for Mac, iOS, Linux, Android, Windows-telefon osv., der vil gøre din smartphone, tablet eller laptop til en DLNA-medieserver. Windows Media Player har endda en indbygget 'Play to'-funktion, der gør det muligt for dig at streame musik, der er gemt på din computer, direkte til din R7.

Med DLNA-mediestreaming fungerer din R7 som en Digital Media Renderer (DMR), så du kan lede efter musik på din smartphone eller laptop og derefter streame det til din R7 over dit netværk.

R7 vil automatisk skifte til DMR-tilstand, når du vælger din R7\* som afspiller – DMR er ikke en tilstand, der kan vælges med **SOURCE**-tasten.

På samme måde vil Spiller nu-information blive styret af serveren, så der er ikke nogen indstillinger, du kan ændre.

For yderligere information se dokumentationen for dit udstyr eller app eller besøg [www.ruarkaudio.com/support](http://www.ruarkaudio.com/support).

---

*DLNA-mediestreaming kræver, at din R7 er tilsluttet til dit netværk, så vi anbefaler, at du indstiller det til 'hold netværksforbindelsen tilkøbt'. Se afsnittet Systemindstillinger.*

---



# Musik streaming tjenester

Din R7 understøtter musikstrømningstjenesterne vist nedenfor.

## Spotify Connect

Brug din telefon, tablet eller computer som fjernbetjening til Spotify. Gå til [spotify.com/connect](https://spotify.com/connect) for at finde ud af, hvordan du gør.

## Amazon music

For flere detaljer, besøg [www.amazon.com](https://www.amazon.com)

## Deezer

For flere detaljer, besøg [dzt.fm/airable](https://dzt.fm/airable)

## TIDAL

For flere detaljer, besøg [tidal.com](https://tidal.com)

Bemærk, at TIDAL høj kvalitet ikke understøttes i multi-room mode. Hvis du vil lytte til TIDAL i multi-room-tilstand, skal du ændre lyd kvaliteten til normal ved hjælp af programmet Ruark Link.

Udvalget af understøttede musiktjenester kan ændres uden varsel.



## Line in og optisk

Du kan lytte til lyd fra en ekstern analog lydkilde ved at forbinde den til Line in 1 eller 2 eller en digital kilde ved at forbinde den til Optisk 1 eller 2.

## Phono

Din R7 indeholder en pre-forstærker med højfidelitet phono-scene til brug med en magnetisk (MM) pladespillerpatron.

Den er ikke designet til en patron med bevægelig spole.

For at forbinde en pladespiller til din R7, anbefaler vi højkvalitets phono-ledninger.

## Indgangsniveau-justering

For at opnå den bedste lyddelse anbefaler vi, at du afbalancerer lydstyrken på en ekstern enhed (f.eks. bærbar musikafspiller eller pladespiller), så lydstyrken er omtrent den samme som de indbyggede kilder som cd eller USB.

Hvis lydstyrken er lavere, skal du øge indgangsniveauet.

Hvis lydstyrken er højere eller forvrænges, skal du sænke indgangsniveauet.

---

For at opnå den bedste lyddelse, anbefaler vi, at du justerer lydstyrken for eksterne enheder ved at justere indgangsniveauerne

---

Du kan justere indgangsniveauet ved at vælge **MENU > Input level** og vælge det ønskede niveau.

-3dB er det laveste niveau og passer til lydenheder med højniveau udgange (2 Vrms) som f.eks. en ekstern cd-afspiller.

+6dB er standard og passer til de fleste enheder.

### Line in niveauer

Disse omfatter højere forstærkningsindstillinger (op til + 24dB), da hovedtelefonens udgangsniveau kan være ret lav på nogle mobile enheder.

### Phono-indgangsniveauer

Disse er designet til at fungere med de mest almindelige bevægelige magnet (MM) patroner. Kontroller venligst patronens specifikation og vælg den mest passende indstilling.

- 3dB (6-8mV)

0dB (4-6mV)

+3dB (3-4mV)

+6dB (2-3mV)

Hvis din eksterne lydkilde har lydstyrkekontrol, skal du muligvis også justere den.

## Ground loops

(Eliminering af summen og brummen)

Under visse omstændigheder kan du høre summen eller brummen, når du tilslutter en ekstern lydkilde via Line in eller Phono-indgang, f.eks. afspilning fra en ekstern strømforsynet enhed eller en enhed, der får strøm fra USB-stikket på din R7.

Desværre er dette et relativt almindeligt problem, der ikke altid er let at rette. Din R7 indeholder dog to funktioner, der kan hjælpe med dette problem.

### Skift mellem Line in 1 og Line in 2

Line in 2 er jordisoleret og Line in 1 er ikke, så du kan opleve, at den ene indgang er mere stille end den anden.

### Brug jordforbindelsen på bagpanelet

Hvis dette ikke virker, eller hvis du bruger Phono-indgangen, skal du prøve at forbinde jord fra din eksterne enhed til jordstikket på bagsiden af din R7.

For yderligere information besøg [www.ruarkaudio.com/support](http://www.ruarkaudio.com/support)

---

### VIGTIGT

**Fjern netkablet fra din R7, før du tilslutter den til jordstikket. Hvis du er i tvivl om, hvordan du tilslutter jord til din eksterne enhed til R7, skal du søge råd!**

---

## Multi-room

Denne enhed er fuldt kompatibel med Ruark Audio multi-room og giver dig mulighed for at streame musik problemfrit fra et rum til et andet.

Til at begynde med skal du oprette en gruppe på op til 6 enheder, som alle vil afspille den samme synkroniserede lyd. Når du har oprettet en gruppe, kan andre enheder tilføjes til den.

For at oprette en gruppe skal du vælge **MENU > Multi-room > Create new group**, indtast et navn til gruppen og vælg OK. På listen over andre kompatible enheder, der findes på dit netværk, skal du vælge op til 5 enheder til din gruppe og derefter trykke på **MENU** for at bekræfte dit valg og afslutte. Alle enheder i gruppen vil nu afspille synkroniseret lyd.

Hvis du vil tilføje enheder til den aktuelle gruppe, skal du vælge **MENU > Multi-room > Add to group**

Hvis du vil fjerne enheder til den aktuelle gruppe, skal du vælge **MENU > Multi-room > Remove from group**

Hvis du vil fjerne den aktuelle enhed fra gruppen, skal du vælge **MENU > Multi-room > Leave group**

Hvis du vil slette den aktuelle gruppe, skal du vælge **MENU > Multi-room > Dissolve group**. Gruppen bliver opløst, og multi-room afspilningen stopper.

Du kan også opsætte og styre multi-room afspilningen ved hjælp af programmet Ruark Audio Link.

For yderligere information se [www.ruarkaudio.com/support](http://www.ruarkaudio.com/support)

## App kontrol

Du kan også styre din R7 og indstille multi-room afspilningen ved hjælp af programmet Ruark Audio Link. Find det på Apples/Android App Store.

For yderligere information se [www.ruarkaudio.com/support](http://www.ruarkaudio.com/support)

### App adgang med PIN

Opsæt en pinkode for at begrænse adgangen til din R7, så kun autoriserede brugere kan styre den fra programmet Ruark Audio Link.

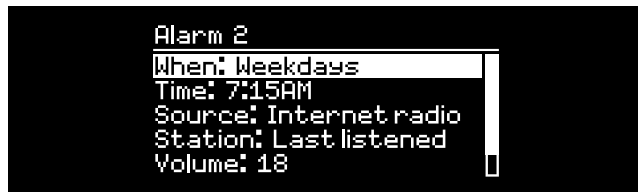
**MENU > System > Network > App access PIN.**

## Alarmer, snooze og sleep

### Indstilling af en alarm

En aktiv alarm er angivet med alarm-ikonet og når den lyder, vil ikonet blinke.

Vælg **MENU > System > Date and time > Alarms** og vælg alarm 1 eller alarm 2 ved hjælp af **KONTROLKNAP**.



Vælg, hvornår alarmen skal aktiveres (slukket, dagligt, én

gang, i weekender eller på ugedage), indstil tidspunktet og vælg, om du vil have alarmen til at spille en radiostation, CD eller afgive en tone og vælg til sidst lydstyrken. Vælg til sidst *save* for at gemme alarmen og forlade opsætningsmenuen.

**BEMÆRK:** Det ikke er muligt at bruge en Bluetooth-kilde, USB eller netværksmusikserver til alarmen.

### Snooze

Tryk på **KONTROLKNAPPEN** for midlertidigt at forstumme en udløst alarm, tryk på den igen for at forlænge snooze-perioden (5, 10, 15 eller 30 minutter).

For at annullere en alarm, der er aktiveret eller i snoozetilstand, tryk og hold på **KONTROLKNAPPEN** i to sekunder.

### Snooze funktion

For at indstille det tidspunkt, på hvilket R7 automatisk vil skifte til standby, tryk på **MENU > System > Date and time > Sleep**.

Vælg forsinkelsen i minutter (Off, 15, 30, 45, 60 eller 90) og tryk derefter på knappen for at bekræfte dit valg. Displayet vil så blive dæmpet til standby-lysstyrke, returnere til Spiller nuskærmen og vise snooze-ikonet.

# Specifikationer

## Forstærkere og drivere

2 x 5,5" to koncentriske drivere

1 x 8" long-throw subwoofer

180W diskret klasse AB effektforstærker

Integreret MM phono forforstærker

Forbedret digital 3D-lydprocessor

## Tuner

DAB, DAB+ og FM Tuner med RDS

75 Ohm F-type DAB/FM antennestik

## CD-afspiller

CD, CD-ROM, CD-R/RW-diske

MP3, WMA op til 320 kbit/sek.

## Digital audio

Audiophile 32-bit 112dB audio stereo DAC

Internet radio, Spotify Connect, UPnP™ DLNA

802.11b/g Wi-Fi understøttet WEP-, WPA- og WPA2-sikkerhed

MP3, WMA, AAC, FLAC, WAV

SBC, AAC, A2DP, aptX, aptX HD Bluetooth

## Indgange og udgange

1 x MM phono indgang (RCA)

2 x digital optisk (TOSLINK)

2 x Line indgang (RCA)

1 x Line udgang (RCA)

1 x Ethernet (RJ45)

5W (5V 1A) USB

3,5mm stereostik, hovedtelefonudgang

## Strøm

Forsyningsnetindgang: 100-120/200-240 VAC 50 – 60Hz

Sikring: 250V T 6.30A

Nominelt forbrug: 25W

Standbyforbrug: 1,0W

## Fysisk

Dimensioner uden ben.

H165 mm x W1000 mm x D400 mm

(H6.5" x W39.4" x D15.7")

Vægt (med ben): 27,8 kg (61,3 lbs)

DA

Specifikation og design kan ændres uden forudgående varsel.  
Digital Tick-certificering opnået ved hjælp af den medfølgende tråddipolantenne.

# Sikkerheds- og lovgivningsmæssige oplysninger

- Læs denne brugervejledning og følg alle vejledninger, det vil hjælpe dig med at opstille og bruge dit produkt korrekt.
- Følg alle advarsler og gem denne brugervejledning til fremtidig brug.
- Man må ikke forsøge at bruge en beskadiget enhed, da det kan resultere i et farligt elektrisk stød.
- Man må ikke åbne enheden, eller afmontere paneler, så elektronikken afdækkes. Der er ingen dele indeni, som kan serviceres af brugeren.
- Al servicering skal udføres af kvalificeret servicepersonale. Servicering er påkrævet, hvis enheden er blevet beskadiget på nogen måde, som f.eks. hvis strømledningen eller -stikket er blevet beskadiget, der er spildt væske i, eller ting er faldet ned i, enheden, enheden er blevet udsat for regn eller fugtighed, hvis enheden ikke fungerer normalt eller den er blevet tabt.
- Denne enhed er beregnet til KUN at blive drevet med de vekselspændinger, der er anført på bagpanelet eller den medfølgende strømforsyning. Brug af andre strømspændinger end de anførte kan forårsage irreversibel skade på enheden og ugyldiggøre produktgarantien.
- Det skal sikres, at strømstik eller strømkonnektor ind i enheden er nemt tilgængelig i tilfælde af, at strømafrydelse er påkrævet.
- Strømadapteren, strømstikket eller strømkonnektoren skal tages ud af stikkontakten for at frakoble systemet helt fra forsyningsnettet.
- Der må ikke placeres nogen form for åben ild, som f.eks. stearinlys, på eller tæt på enheden. Må ikke installeres tæt på varmekilder, som f.eks. radiatorer, brændeovne eller andre enheder (inklusive forstærkere), der frembringer varme.
- Undgå udsættelse for ekstrem varme eller kulde.
- Der må kun bruges udstyr/tilbehør, der er specificeret for enheden. Der må ikke udføres modifikationer til systemet eller tilbehør. Uautoriserede ændringer kan kompromittere sikkerhed, overholdelse af lovgivning og systempræstation.
- Brug kun den medfølgende antenne eller en godkendt erstatning.
- For at reducere risikoen for brand eller elektrisk stød må apparatet ikke udsættes for regn eller fugt. Enheden må ikke udsættes for dryp eller stænk og man må ikke placere genstande fyldt med væske, som f.eks. vaser, på eller i nærheden af enheden. Som med alle elektroniske produkter, skal man være forsigtig med ikke at spille væsker ned i nogen del af systemet. Væsker kan forårsage driftssvigt og/eller en brandfare.
- Træk enhedens stik ud af kontakten, når det lyner, eller når enheden ikke bruges i længere tid ad gangen for at forhindre skade på enheden.
- For at forebygge risiko for fare eller elektrisk stød skal man undgå at overbelaste stikkontakter, forlængerledninger eller stikkontakter samt integrerede stikdåser.
- Længerevarende udsættelse for høj musik kan forårsage høreskade. Det er bedst at undgå ekstrem lydstyrke, når man bruger hovedtelefoner, især i længere perioder.
- Enheden må ikke installeres i et mindre, lukket rum. Der skal altid være et mellemrum på mindst 10cm omkring enheden for at sikre ventilation og man skal sørge for, at gardiner eller andre genstande aldrig tildækker enhedens ventilationsåbninger.



LITUM-MØNTCELLE - SIKKERHED. Fjernbetjeningen indeholder et litium-møntcellebatteri, der, hvis det sluges, kan forårsage kemiske forbrændinger. Nye og brugte batterier skal opbevares utilgængeligt for børn. Hvis man tror, at batterier kan være blevet slugt, skal man omgående søge lægehjælp. Man må ikke håndtere lækkende eller beskadigede batterier. Der er fare for eksplosion, hvis batteriet sættes forkert i. Batteriet må kun erstattes med den samme eller en tilsvarende type.



Denne enhed er afmærket i henhold til Europæisk direktiv 2012/19/EU om affald af elektrisk og elektronisk udstyr. Dette symbol angiver, at produktet eller dets batterier ikke må kasseres som almindeligt husholdningsaffald. Som alt andet elektrisk udstyr skal det kasseres i overensstemmelse med lokale bestemmelser.



#### CE-OVERENSSTEMMELSESOPLYSNINGER

Dette produkt overholder alle EU-direktivkrav i henhold til gældende lov. Du kan få en gratis kopi af Overensstemmelseserklæringen ved at kontakte din forhandler, distributør eller Ruark Audio.

Hermed erklærer Ruark Audio, at denne enhed overholder de væsentlige krav og andre relevante bestemmelser i det europæiske radioudstyrdirektiv 2014/53/EU.

Du kan downloade den fulde CE-overensstemmelseserklæring på [www.ruarkaudio.com/doc/R7mk3doc.pdf](http://www.ruarkaudio.com/doc/R7mk3doc.pdf)

## Fejlsøgning

For hjælp med dit produkt henviser vi til OSS- (Ofte stillede spørgsmål (FAQ) siden på supportområdet på vores website.

For yderligere information se [www.ruarkaudio.com/support](http://www.ruarkaudio.com/support)

## Garantiinformation

Vi garanterer, at dette produkt er fri for defekter i en periode på to år fra købsdatoen, forudsat det behandles med behørig omtanke og opmærksomhed. Produktsvigt på grund af uforsættelig beskadigelse (hvordan den end forårsages), overdreven slid og brug, uagtsomhed eller uautoriseret modifikation, vil ugyldiggøre garantien.

Hvis der skulle opstå et problem, bedes du kontakte os via vores website [www.ruarkaudio.com](http://www.ruarkaudio.com) eller ringe direkte til os på +44 (0) 1702 601410, hvorefter vi vil rådgive om den aktion, der skal tages. Hvis det er nødvendigt at returnere dit produkt, skal det indpakkes i den originale emballage sammen med købsbevis. Hvis du ikke selv kan returnere produktet, skal det sendes forsendelse-forudbetalt med en anset pakkeposttjeneste. Hvis den originale emballage ikke er tilgængelig, kan erstatningsemballage købes hos os.

## Garanti for udenlandske salg

Distributøren i købslandet garanterer produkter, der er købt udenfor Storbritannien. Du bedes kontakte din lokale Ruark-distributør eller forhandler for yderligere oplysninger.

DENNE GARANTI HVERKEN PÅVIRKER ELLER TILSIDESÆTTER KØBERENS LOVMÆSSIGE RETTIGHEDER PÅ NOGEN MÅDE. E&OE

# ruarkaudio

59 Tailors Court, Temple Farm Industrial Estate,  
Southend on Sea, Essex, SS2 5TH, UK  
+44 (0) 1702 601 410 [www.ruarkaudio.com](http://www.ruarkaudio.com)

## Generel pleje

Rengør med en blød, fnugfri støvklud eller let fugtet klud. Man må ikke bruge vokssprayprodukter eller andre substanser, da disse kan beskadige overfladens finish eller svække ydeevnen.

Man må ikke udsætte enheden for direkte sollys, høj luftfugtighed, støv, stærk vibration eller ekstreme temperaturer, da disse kan påvirke dens finish, ydeevne og pålidelighed.

Det anbefalede driftstemperaturområde er 5°C til 40°C.

Kabinetter med naturtræ-finish vil variere og blive lysere eller mørkere med alderen, især hvis de udsættes for sollys.

## Copyright og varemærker

© 2018 Ruark Audio. Alle rettigheder forbeholdes. Ruark Audio, Ruark Audio logo og andre Ruark Audio mærker tilhører Ruark Audio og kan være registreret. Alle andre varemærker tilhører deres respektive ejere. Ruark Audio påtager sig intet ansvar for fejl, der kan forekomme i denne manual og informationen heri kan ændres uden forudgående varsel.

Bluetooth® og tilknyttede logoer er indregistrerede varemærker tilhørende Bluetooth SIG, Inc.

Qualcomm aptX og aptX HD er produkter fra Qualcomm Technologies International, Ltd.

Spotify softwaren er underlagt tredjepartslicenser, som kan findes her: [www.spotify.com/connect/third-party-licenses](http://www.spotify.com/connect/third-party-licenses)

Alle andre varemærker tilhører deres respektive ejere.

Designet i  
Storbritannien



20190430.1





HiFi-Musikschrank  
R7 mk3

User guide	EN
Brugervejledning	DA
<b>Bedienungsanleitung</b>	<b>DE</b>
Guía del usuario	ES
Guide de l'utilisateur	FR
Manuale dell'utente	IT
Gebruikershandleiding	NL
Brukerveiledning	NO

ruarkaudio

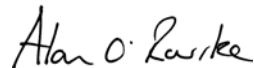
Vielen Dank, dass Sie sich für unseren R7 mk3 HiFi-Musikschrank entschieden haben.

Inspiziert durch das klassische Design der 50er-Jahre des letzten Jahrhunderts ist der R7 Musikschrank eine Weiterentwicklung dieses Stils. Mit seinem umwerfenden Aussehen und seiner hervorragenden Klangqualität garantieren wir Ihnen, dass Sie die Freude an Musik und Radio wieder neu entdecken werden.

Nehmen Sie sich die Zeit, diese Bedienungsanleitung zu lesen, da Sie Ihren R7 somit optimal einsetzen können.

Wenn Sie Ihren R7 sorgfältig pflegen, sind wir sicher, dass er Ihnen viele Jahre Hörgenuss schenken wird – sollten Sie jedoch Hilfe oder Rat benötigen, stehen wir Ihnen jederzeit gerne zur Verfügung. Als ein britisches Familienunternehmen sind wir stolz auf unseren Kundendienst und werden immer unser Bestes geben, um Ihnen zu helfen.

Wir möchten Ihnen noch einmal dafür danken, dass Sie sich für Ruark Audio entschieden haben.

A handwritten signature in black ink that reads "Alan O'Rourke". The signature is written in a cursive, slightly slanted style.

Alan O'Rourke  
Gründer und Geschäftsführer

# Inhalt

Inhalt der Box	4	Musikstreamingdienste	25
Steuerung	5	Line-Eingang und optischer Eingang	26
Übersicht	6	Cincheingang	26
Montage der Beine oder Füße	7	Einstellung des Wiedergabe-Pegels	26
Legen Sie los!	8	Multiroom	27
Häufig verwendete Funktionen	10	Steuerung über die App	28
Systemeinstellungen	13	Alarme, Schlummern und Schlafen	28
UKW-Radio	15	Technische Daten	29
DAB-Radio	16	Sicherheitshinweise und -vorschriften	30
Internetradio	17	Fehlersuche und -beseitigung	31
CD-Player	19	Garantie	32
Bluetooth	20	Allgemeine Pflege	32
Musikabspieler	22	Urheberrecht und Warenzeichen	32
Streaming von DLNA-Medien	24		

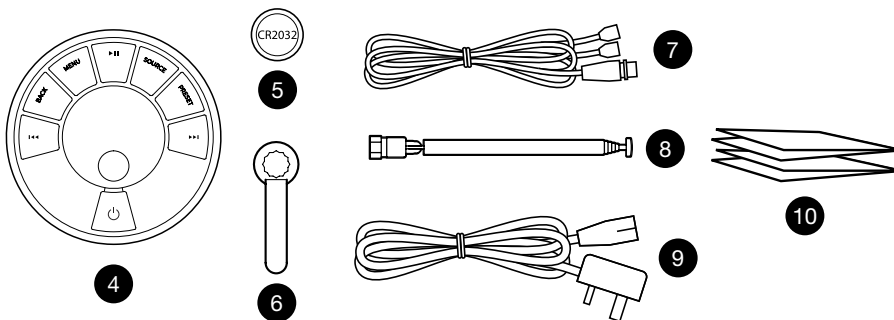
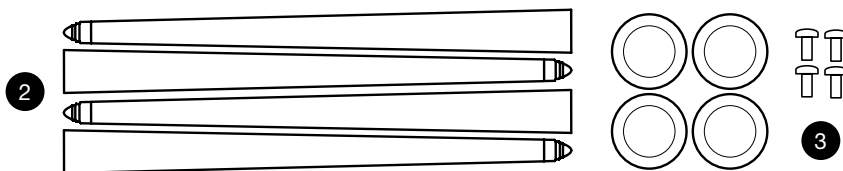
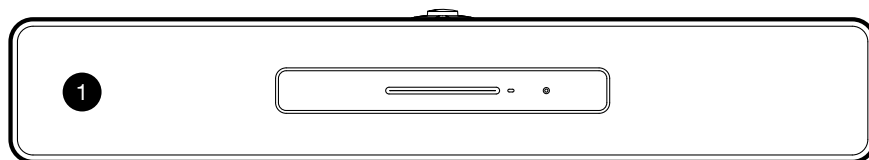
# Inhalt der Box

Vergewissern Sie sich, dass alle unten aufgeführten Teile in der Box enthalten sind.

Sollte ein Teil fehlen, bitten wir Sie, den R7 nicht zu benutzen und sich direkt an uns zu wenden, falls Sie das Gerät im Vereinigten Königreich gekauft haben – haben Sie es anderswo gekauft, wenden Sie sich bitte an Ihren RuarkAudio-Händler.

1. R7
2. Vier Beine
3. Vier Füße mit Befestigungsschrauben
4. Fernbedienung
5. Batterie für die Fernbedienung (CR2032)
6. Antennenschlüssel
7. Drahtantenne
8. Teleskopantenne
9. Netzstromkabel
10. Bedienungsanleitung & andere Unterlagen

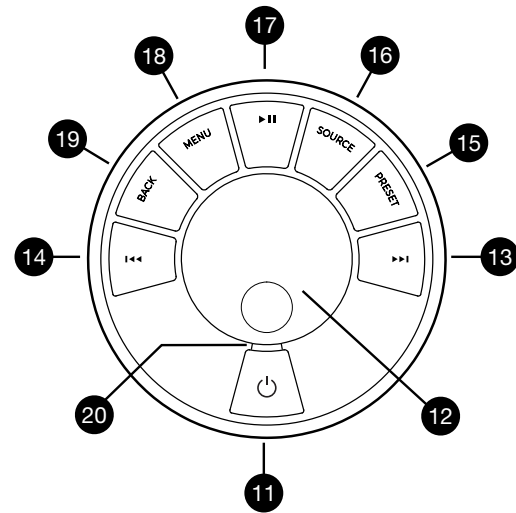
Falls möglich, bewahren Sie bitte den Karton und die Verpackungsmaterialien auf.



# Steuerung

Die Schalter am R7 entsprechen denen der Fernbedienung.

11. **☰** – **STANDBY**
12. **STEUERRAD / SELECT**  
Drehen, um die Lautstärke einer Wiedergabeanzeige anzupassen  
Drehen, um Menüs, Titel oder Senderlisten zu durchsuchen\*  
Zum **AUSWÄHLEN** drücken
13. **▶▶I** – durch Drücken springen Sie zum nächsten Titel/Sender, durch langes Drücken spulen Sie vor
14. **I◀◀** – durch Drücken springen Sie zum vorherigen Titel/Sender, durch langes Drücken spulen Sie zurück
15. **PRESET** – drücken, um einen gespeicherten Radiosender aufzurufen oder zwei Sekunden lang gedrückt halten, um einen Radiosender zu speichern
16. **SOURCE** – drücken, um die Wiedergabequelle zu ändern
17. **▶II** – Play/Pause zum Abspielen/Anhalten eines Titels oder zur Stummschaltung von Audioeingängen oder des Radios
18. **MENU** – drücken, um das Menü anzuzeigen
19. **BACK** – drücken, um zum vorherigen Menü oder zur vorherigen Liste zurückzukehren.
20. **KONTROLLLEUCHE**  
Zeigt am R7 an, dass Ihr Audiosystem aktiviert ist und blinkt, wenn Bluetooth zur Kopplung bereit ist oder eine Taste an der Fernbedienung betätigt wird.  
Blinkt an der Fernbedienung, wenn eine Taste betätigt oder das Steuerrad verwendet wird. Ist die Batterieleistung schwach, ändert sich die Farbe von Blau in Gelb.



\* Sie können auch **▶▶I** oder **I◀◀** drücken, um die Menüs, Titel, Quellen oder Senderlisten zu durchsuchen

---

*Es ist wichtig, wie lange eine Taste gedrückt wird*  
*Drücken = ganz kurz drücken und sofort wieder loslassen*  
*Drücken und halten = drücken und nach zwei Sekunden wieder loslassen*

---

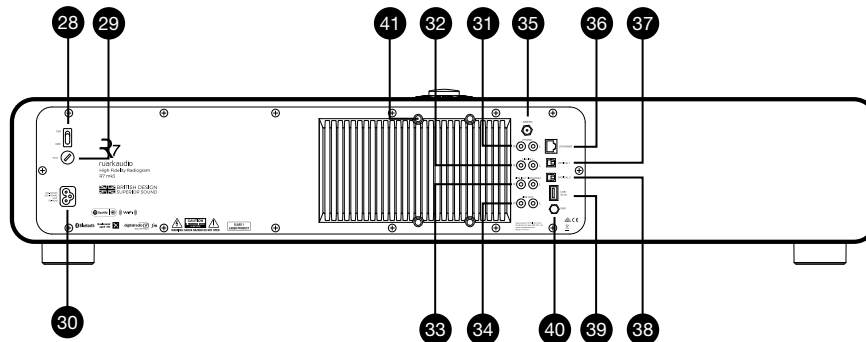
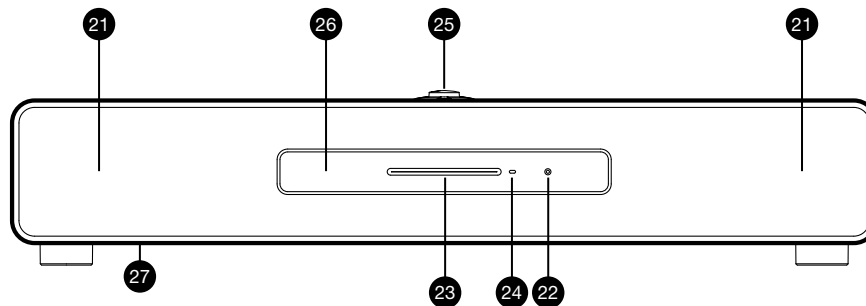
# Übersicht

## Vorderseite

- 21. Stereolautsprecher „Dual Concentric“
- 22. Kopfhörer-Ausgang (3,5-mm)
- 23. CD-Schlitz
- 24. Taste CD-Auswurf
- 25. Steuerung
- 26. OLED-Display
- 27. Subwoofer

## Rückseite

- 28. Netzstrom-Schalter
- 29. Netzstrom-Sicherung
- 30. Netzkabeleingang
- 31. Cincheingang
- 32. Line-Eingang 1
- 33. Line-Eingang 2
- 34. Line-Ausgang
- 35. DAB-/UKW-Antenne
- 36. Ethernet
- 37. Optischer Eingang 1
- 38. Optischer Eingang 2
- 39. USB
- 40. Erdanschluss
- 41. AV-Anschluss, Befestigungspunkte (4 x M8)



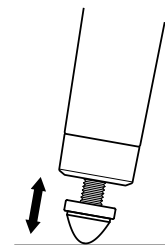
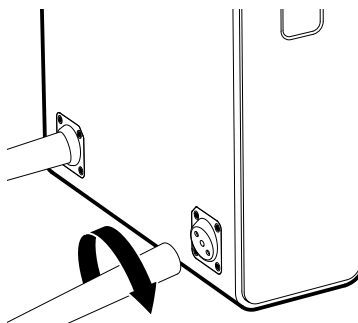
# Montage der Beine oder FüÙe

**Sie sollten Ihren R7 nicht alleine bewegen, denn er ist schwer und kann leicht beschädigt werden.**

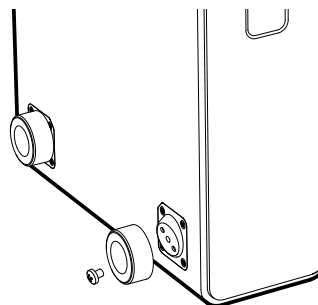
Entnehmen Sie den R7 aus der Schutzverpackung und legen Sie ihn auf einer stabilen und sauberen Unterlage, die keine Abdrücke hinterläÙt (z.B. ein Tuch oder die Verpackung), auf die Seite.

Zur Befestigung der Beine am R7 schrauben Sie die vier Beine in die Befestigungsplatten auf der Unterseite des Gehäuses und ziehen sie handfest an. Achten Sie darauf, dass Sie die Beine nicht zu fest anziehen. Drehen Sie den S7 vorsichtig um und stellen Sie ihn an seinem Einsatzort auf. Stellen Sie die Beinenden wenn nötig so ein, dass er sicher steht und nicht wackelt.

Um die FüÙe am R7 zu montieren, legen Sie auf jede der Befestigungsplatten auf der Unterseite des Gehäuses jeweils einen Fuß und stellen Sie sicher, dass sie korrekt ausgerichtet sind. Verwenden Sie einen passenden Schraubendreher, um die FüÙe mit den mitgelieferten Schrauben festzuschrauben. Drehen Sie den R7 um und stellen Sie ihn vorsichtig auf eine hinreichend stabile und sichere Unterlage.



DE



---

*Achten Sie darauf, dass die Lautsprechergitter beim Bewegen des R7 nicht beschädigt werden.*

---



---

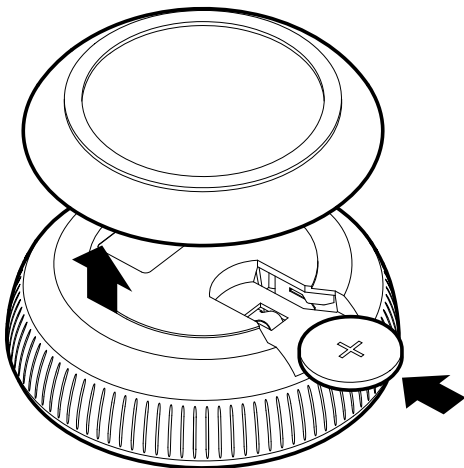
*Der R7 ist schwer; deshalb kann unsachgemäÙe Handhabung das Gerät beschädigen oder zu Verletzungen führen.*

---

# Legen Sie los!

## 1 Batterie der Fernbedienung einlegen

Entfernen Sie vorsichtig den magnetischen Stahlboden. Halten Sie die Fernbedienung mit der Oberseite nach unten und schieben Sie die Batterie (Typ CR2032) in die Öffnung, wobei die flache Seite mit dem + nach oben zeigen muss. Stahlboden wieder anbringen.



---

*Bitte beachten Sie, dass die Fernbedienung eventuell erst nach der Kopplung mit dem Hauptsystem funktioniert (siehe Schritt 6).*

---

## 2 Anschließen der Antenne

Schließen Sie entweder die Drahtantenne oder die Teleskopantenne an die DAB/UKW-Buchse auf der Rückseite Ihres R7 an. Ziehen Sie die Antenne vorsichtig mit dem Antennenschlüssel an. Sie können eine beliebige Antenne verwenden, für den besten Empfang empfehlen wir Ihnen jedoch die Verwendung einer externen, fachmännisch installierten Antenne.

## 3 Anschluss an das Wechselstromnetz

Verbinden Sie das Netzkabel zuerst mit der Netzkabelbuchse auf der Rückseite Ihres Audiosystems und anschließend mit der Netzsteckdose (Wechselstrom).

## 4 Einschalten

Stellen Sie den Netzstromschalter auf der Rückseite Ihres Audiosystems in ON-Stellung. Ihr R7 befindet sich jetzt im Standby-Modus.

Um Ihren R7 einzuschalten, drücken Sie **STANDBY** an der Steuerung auf dem Schrank und das Logo R7 erscheint auf der Anzeige.





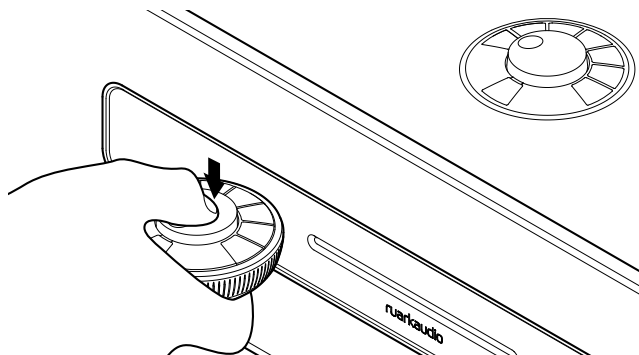
## 5 Sprache auswählen

Drehen Sie das **STEUERRAD**, bis Ihre Auswahl markiert ist, und drücken Sie **SELECT**.



## 6 Koppeln Ihrer Fernbedienung

Wenn die Meldung erscheint, dass Sie Ihre Fernbedienung koppeln sollen, halten Sie sie nah an das Display und drücken und halten Sie **SELECT**.

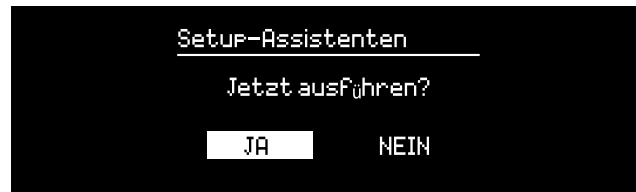


Wenn Ihre Fernbedienung gekoppelt ist, erscheint eine Bestätigung, und Ihre Fernbedienung ist jetzt betriebsbereit. Drücken Sie **SELECT**, um fortzufahren.

In der Regel müssen Sie die Fernbedienung nicht erneut koppeln. Sollte dies dennoch der Fall sein, halten Sie sie nah an die Anzeige und drücken und halten Sie eine beliebige Taste gedrückt, bis die Bestätigung erscheint. Dies ist in jedem Modus möglich.

## 7 Einrichtungsassistent

Wenn Sie Ihren R7 das erste Mal einschalten, unterstützt Sie der Einrichtungsassistent bei der Einstellung der Uhrzeit und der Verbindung mit dem Netzwerk.



Zum Starten des Einrichtungsassistenten markieren Sie *Ja*, indem Sie das **STEUERRAD** drehen, und drücken Sie **SELECT**. Wählen Sie *Nein*, starten Sie den R7 ohne Zeit-/Datums- und Netzwerkeinstellungen.

## 8 Eine Wiedergabequelle auswählen

Im Anschluss an die Einstellung erscheint auf dem Display Ihres R7 ein Menü mit einer Liste verfügbarer Wiedergabequellen. Verwenden Sie das **STEUERRAD**, um eine Wiedergabequelle auszuwählen und drücken Sie **SELECT**.

## 9 Genießen Sie Ihre Musik!

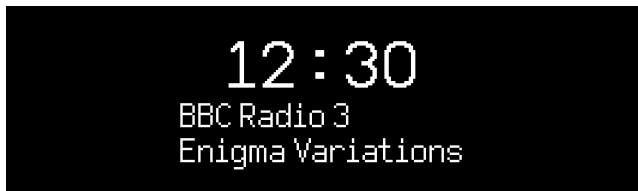
# Häufig verwendete Funktionen

## Anschalten und Standby

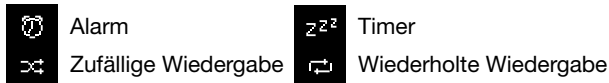
Drücken Sie **STANDBY**, um Ihr Audiosystem einzuschalten.  
Drücken Sie die Taste erneut, um zum Standby-Modus zu wechseln.

## Wiedergabeanzeigen

Außer beim Anpassen einer Einstellung entspricht die Anzeige dem nachstehenden Beispiel. Die Uhrzeit wird oben angezeigt, darunter werden Sender/Titel/Album/Künstler angezeigt.

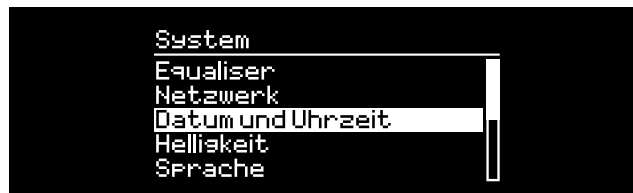


Die folgenden Symbole erscheinen in der Anzeige, wenn die entsprechenden Funktionen aktiviert sind.



## Menü-Fenster

Über die Menüs können verschiedene Optionen eingestellt werden, z.B. die Anpassung von Bässen und Höhen. Um eine Einstellung zu ändern, drücken Sie **MENÜ** zur Anzeige der Liste der verfügbaren Optionen, drehen Sie das **STEUERRAD**, um durch die Liste zu blättern und drücken Sie anschließend den Knopf, um Ihre Auswahl zu bestätigen.



## Durchsuchen von Menüs, Titeln und Senderlisten

Um die Einstellungen zu ändern – drücken Sie **MENÜ**  
Um durch die Optionen zu blättern – drehen Sie das **STEUERRAD**

Um die Option zu wählen – drücken Sie das **STEUERRAD**  
Um das Menü zu verlassen – drücken Sie **MENÜ** oder warten Sie ein paar Sekunden

Um zum vorherigen Menü/Listenanzeige zurückzukehren – drücken Sie **BACK**

---

*Es ist wichtig, wie lange eine Taste gedrückt wird*  
*Drücken = ganz kurz drücken und sofort wieder loslassen*  
*Drücken und halten = drücken und nach zwei Sekunden wieder loslassen*

---

## Lautstärke einstellen

Drehen Sie das **STEUERRAD** von jeder beliebigen Wiedergabeanzeige.

Die Lautstärke des Lautsprechers und des Kopfhörers werden getrennt eingestellt. Wenn die Kopfhörer eingesteckt werden, wird die Lautstärke als *Kopfhörer-Lautstärke* angezeigt.

HINWEIS: Bitte beachten Sie, dass Sie durch das Drehen des **STEUERRADS** nicht die Lautstärke verändern, sondern durch das Menü blättern, wenn ein Menü oder eine Titel-/Senderliste angezeigt wird.

## Wiedergabequelle ändern

Drücken Sie **SOURCE**, um die aktuelle Quelle anzuzeigen. Drehen Sie das **STEUERRAD**, um durch die Quellenliste zu blättern und drücken Sie dann den Knopf, um eine Quelle zu wählen. (Sie können auch wiederholt **SOURCE** drücken, um durch die Liste der Quellen zu navigieren anstatt den Knopf zu drehen.)



Internetradio

## Multiroom

Dieses Gerät verfügt über die Multiroom-Funktion von Ruark Audio und ermöglicht es Ihnen, Musik ganz einfach in allen Räumen zu streamen. Für nähere Angaben, siehe ‚Multiroom‘.

## Titel anhalten oder Ton stummschalten

Drücken Sie **▶||** - zum Weiterhören erneut drücken.

## Nächsten/vorherigen Titel wiedergeben

Drücken Sie **▶▶|**, um zum nächsten Titel im aktuellen Ordner bzw. Album zu springen, oder drücken Sie **||◀◀**, um den Titel von vorne zu hören. Durch nochmaliges Drücken springen Sie zum vorangehenden Titel.

## Vor- oder Zurückspulen

Drücken und halten Sie **▶▶|** oder **||◀◀** (funktioniert eventuell nicht mit Bluetooth).

## DAB-Radiosender ändern

Drücken Sie **▶▶|** oder **||◀◀**, um den nächsten oder vorherigen verfügbaren Sender zu suchen. Für nähere Angaben, siehe ‚UKW‘.

## DAB-Radiosender ändern

Drücken Sie **▶▶|** oder **||◀◀**, um zum nächsten oder vorherigen Sender zu springen. Sie können die Senderliste auch durch Auswahl von **MENU > Senderliste** anzeigen lassen.

Für nähere Angaben, siehe ‚DAB‘.

## Sender- oder Titelinformationen ändern

Zum Ändern der angezeigten Sender-/Titelinformationen, wählen Sie eine der Optionen unter **MENU > Info**.

---

*Um zum vorherigen Menü oder zur Senderliste zurückzukehren, drücken Sie BACK*

---

## Radiosender speichern

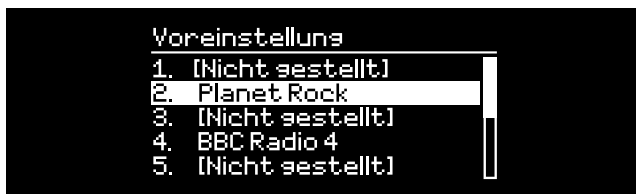
Drücken Sie **PRESET** und halten Sie die Taste ein paar Sekunden lang gedrückt bis *Voreinst. Speichern* erscheint. Drehen Sie das **STEUERRAD**, um die Zahl zu wählen, unter der Sie den Sender speichern möchten, und drücken Sie den Knopf, um den gerade laufenden Sender zu speichern. Voreingestellte Sender sind entweder mit dem Sendernamen, der Frequenz oder mit *[Nicht gestellt]* gekennzeichnet.



Speichern Sie einen Sender auf einen bereits belegten Speicherplatz, wird der alte Sender durch den neuen ersetzt.

## Radiosender-Voreinstellungen

Drücken Sie **PRESET**, drehen Sie das **STEUERRAD**, um durch die voreingestellte Senderliste zu blättern und drücken Sie dann den Knopf, um einen Sender zu wählen.



## Anschluss eines Bluetooth-Geräts

Wenn Sie die Wiedergabequelle auf Bluetooth ändern, versucht Ihr R7 automatisch, eine Verbindung zum zuletzt verbundenen Gerät herzustellen. Wenn Sie Ihr Gerät noch nicht gekoppelt haben oder das vorhergehende Gerät nicht verfügbar ist, geht Ihr R7 in den Kopplungsmodus über. Für nähere Angaben, siehe ‚Bluetooth‘.

## Kopfhörer

Stecken Sie Ihre Kopfhörer an die 3,5-mm-Stereoklinkenbuchse an der Vorderseite Ihres R7.

Die Lautstärke des Kopfhörers wird unabhängig von der Lautstärke des Lautsprechers eingestellt. Wenn die Kopfhörer eingesteckt werden, wird die Lautstärke als *Vol Kopfhörer* angezeigt.

## Aufladen über USB

Der USB-Anschluss an Ihrem R7 hat eine Leistung von 5 W (5 V, 1,0 A) und dient als Stromversorgung für die meisten Smart Devices und Geräte mit USB-Anschluss.

---

Bitte beachten Sie, dass: **MENU > System > Equaliser** bedeutet, dass Sie **MENU** drücken, **System** auswählen und schließlich **Equaliser** wählen müssen

---

# Systemeinstellungen

## Bässe, Höhen und Subwoofer

### **MENU > System > Equaliser > Bässe, Höhen or Sub-Pegel**

Passen Sie die Bässe und Höhen mit dem **STEUERRAD** an und drücken Sie dieses, um die Einstellungen zu speichern.

## Loudness

Die Option Loudness verstärkt die Bass- und Höhenfrequenzen automatisch bei geringerer Lautstärke.

### **MENU > System > Equaliser > Loudness**

## 3D-Sound

Die Funktion 3D erweitert den Stereosound und erzeugt einen volleren und realistischeren Klang.

### **MENU > System > Equaliser > 3D**

## Datum und Zeit

### **MENU > System > Datum und Zeit**

Zeit und Datum werden automatisch mit nationaler Zeitsignalübertragung über DAB, Netzwerk und UKW (die Synchronisation der Zeit über UKW ist nicht immer verfügbar) synchronisiert.

Die Zeit kann auch manuell konfiguriert und das Zeit- und Datumsformat angepasst werden, wenn die automatische Aktualisierung deaktiviert wird.

## Displayhelligkeit

### **MENU > System > Helligkeit**

Sie können die Helligkeit des Displays separat anpassen, wenn Ihr R7 an und im Standby-Modus ist.

Ist die Helligkeit auf 0 eingestellt, schaltet sich das Display nach ein paar Sekunden automatisch aus. Das Display leuchtet kurz auf, wenn eine beliebige Taste gedrückt wird.

Befindet sich der R7 im Standby-Modus, können Sie auch die Standby-Helligkeit anpassen. Drücken Sie dafür **▶▶** oder **◀◀**.

## Sprache

### **MENU > System > Sprache**

Ändern der Menüsprache.

## Software-Aktualisierung

### **MENU > System > Software-Aktualisierung**

Ihr R7 ist so konfiguriert, dass er automatisch nach Software-Updates sucht. Ist ein Update verfügbar, werden Sie gefragt, ob Sie es herunterladen und installieren möchten.

**ACHTUNG:** Die Unterbrechung der Stromversorgung während eines Software-Updates kann Ihren R7 permanent beschädigen.

## Zurücksetzen auf die Werkseinstellungen

### **MENU > System > Werkseinstellung**

Setzt alle Einstellungen zurück und löscht die Voreinstellungen.

---

*Aktuell gespeicherte Einstellungen werden mit einem Stern markiert (\*)*

---

## Einrichtungsassistent

### **MENU > System > Setup-Assistenten**

Führt den Einrichtungsassistenten aus und führt Sie durch die Einstellungen für die Zeit und das Netzwerk.

## Standby bei Inaktivität

Ihr R7 ist so konfiguriert, dass er automatisch in den Standby-Modus wechselt, wenn er länger als 20 Minuten kein Audio-Signal empfängt. Diese Einstellung können Sie unter **MENU > System > Inaktive standby** ändern.

## Netzwerkassistent

Wählen Sie **MENU > System > Netzwerk > Netzwerkassistent**, um Unterstützung bei der Auswahl eines Netzwerks zu erhalten.

## Netzwerkprofile

Ihr R7 versucht automatisch, eine Verbindung zu einem vorher verbundenen Netzwerk herzustellen.

Um die Liste der gespeicherten Netzwerke anzuzeigen, wählen Sie **MENU > System > Netzwerk > Netzwerkprofil**. Um ein ungewünschtes Netzwerk zu löschen, markieren Sie es, drücken Sie das **STEUERRAD** und wählen Sie *Ja*.

## Halten Netzwerk verbunden

### **MENU > System > Netzwerk > Halten Netzwerk verbunden**

Wählen Sie aus, ob Ihr R7 immer, auch im Standby, mit Ihrem Netzwerk verbunden bleiben soll (Standardeinstellung). Wir empfehlen die Einstellung *Halten Netzwerk verbunden*, um zu gewährleisten, dass Sie mit Ihrem R7 immer auf

Streamingangebote wie Spotify oder DLNA zugreifen können. Diese Einstellung sollte auch gewählt werden, wenn Sie Ihre Zeit über ein Netzwerk aktualisieren.

## Systeminformationen

Anzeige von Informationen zu Ihrem R7, einschließlich Software-Version, individueller Radio-ID und Gerätebezeichnung.

## Erweiterte Netzwerkeinstellungen

Das Gerät bietet erweiterte Netzwerkeinstellungen für erfahrene Anwender zur manuellen Konfiguration oder zur Diagnose und zum Beheben von Netzwerkproblemen.

## Gerätebezeichnung

Die Gerätebezeichnung gibt an, wie Ihr R7 in Netzwerken, unter Spotify und Bluetooth angezeigt wird. Sie können dem Gerät eine nähere Bezeichnung geben, wie „Archie’s R7“ oder „Wohnzimmer R7“.

Über die in einem Browser angezeigte Website Ihres R7 können Sie dessen Status einsehen und die Gerätebezeichnung ändern. Unter Windows wird Ihr R7 typischerweise als Speichermedium angezeigt. Führen Sie einen Doppelklick auf das Symbol aus, um die Konfigurationsseite in Ihrem Browser zu öffnen.

Weitere Informationen finden Sie unter [www.ruarkaudio.com/support](http://www.ruarkaudio.com/support)

## UKW-Radio

Bei UKW-Empfang zeigt Ihr R7 den Namen des Senders und eventuell weitere RDS/RBDS\*-Programminformationen an.

*\*Radio Data System/Radio Broadcast Data System*



### Sender wechseln

Drücken Sie ►► or ◀◀, um automatisch den nächsten UKW-Sender zu finden. Ist RDS/RBDS nicht verfügbar, wird stattdessen die UKW-Frequenz angezeigt.



### Sucheinstellungen

Sie können die Sucheinstellung so konfigurieren, dass nur bei Sendern mit einem starken Signal angehalten wird. Wählen Sie dazu **Menu > Suchlauf-Einstellung > Nur kräftige Sender**.

## Programminformationen

Unter **MENU > Info** können Sie zwischen Radiotext, Programmtyp, Frequenz, Signalstärke und Datum wählen.

### Manuelle Sendersuche

Wählen Sie **MENU > Man. Sendersuche** und drehen Sie das **STEUERRAD** oder drücken Sie ►► bzw. ◀◀, um die Frequenz zu ändern.

### Radiosender speichern

Sie können 10 UKW-Sender in Ihrer voreingestellten Liste speichern. Der Sendername wird nur gespeichert, wenn RDS/RBDS verfügbar ist. Siehe Abschnitt „Häufig verwendete Funktionen“.

### Gespeicherte Radiosender aufrufen

Siehe Abschnitt „Häufig verwendete Funktionen“.

### Monoausgabe

Wird das UKW-Signal schwächer, tritt verstärkt Rauschen auf. Um dies zu reduzieren, wählen Sie **Menu > Mono**.

---

*Um das Rauschen bei schwachem UKW-Empfang weiter zu reduzieren, sollten Sie den 3D-Klang ausschalten*

---

## DAB-Radio

Bei DAB/DAB+-Sendern zeigt Ihr R7 den Namen des Senders und eventuell weitere DLS\*-Programminformationen an.

Wenn Sie Ihr R7 zum ersten Mal verwenden oder wenn die Senderliste leer ist, wird automatisch eine vollständige Sendersuche durchgeführt, um alle verfügbaren Sender zu identifizieren.

*\*Dynamic Label Segment*

### Sender wechseln

Drücken Sie **▶▶** oder **◀◀**, um zum nächsten oder vorherigen Sender zu springen.

### Senderliste

Wählen Sie **MENU > Senderliste** oder drücken Sie **▶▶** oder **◀◀**, um eine Liste aller gespeicherter DAB-Sender anzuzeigen. Wählen Sie den Sender aus, den Sie hören möchten und drücken Sie **SELECT**.



### Programminformationen

Unter **MENU > Info** können Sie zwischen Radiotext, Programmtyp, Signalstärke, Signalformat und Datum wählen.

## Radiosender speichern

Sie können 10 DAB-Sender in Ihrer voreingestellten Liste speichern. Siehe Abschnitt „Häufig verwendete Funktionen“.

## Gespeicherte Radiosender aufrufen

Siehe Abschnitt „Häufig verwendete Funktionen“.

## Nebendienste

Einige DAB-Radiosender sind noch mit Nebendiensten verbunden. Wenn ein sekundärer Sender vorhanden ist, wird „>>“ nach dem gerade laufenden Sendernamen in der Senderliste angezeigt.

Sekundäre Sender werden durch „>>“ vor dem Sendernamen gekennzeichnet.

## Senderreihenfolge

Die Sortierung der DAB-Sender bietet die Optionen *Alphanumerisch*, *Ensemble* und *Gültig*. Die Option *Alphanumerisch* sortiert die Sender in alphabetischer Reihenfolge, *Ensemble* gruppiert Sender vom selben Rundfunksender und *Gültig* zeigt zuerst verfügbare Sender an und anschließend nicht verfügbare (durch ein „?“ gekennzeichnet).

Um die Senderreihenfolge zu ändern, wählen Sie **Menu > Senderreihenfolge** und wählen Sie hier **Alphanumerisch** (Standardeinstellung), **Ensemble** oder **Gültig**.

---

*Ungültige Sender werden durch ein „?“ vor dem Sendernamen gekennzeichnet.*

---



## Sendersuche

Wenn die Senderliste leer ist, führt das Radio automatisch eine vollständige Sendersuche durch, sobald Sie auf DAB schalten.

Wie empfehlen Ihnen ab und zu eine vollständige Sendersuche durchzuführen, um die Senderliste zu aktualisieren, weil:

- Manchmal neue Sender zur Verfügung stehen
- Sender eingestellt werden oder nicht mehr empfangen werden können
- Der Empfang bei der ursprünglichen Suche schlecht war (z. B. war die Antenne nicht richtig angeschlossen)
- Sie das Radio umgestellt haben

Um eine vollständige Suche auszuführen, müssen Sie **MENU** > **Suchlauf** wählen.

## Schwache oder ungültige Sender löschen

Schwache (rauschende) oder ungültigen Sender werden durch ein „?“ vor dem Sendernamen gekennzeichnet und können durch Auswahl von **MENU** > **Löschen ungültig** gelöscht werden.

## Internetradio

Mit Ihrem R7 haben Sie Zugriff auf unzählige Internetradiosender und Podcasts weltweit (Internetzugang erforderlich).

### Hauptmenü

Bei der ersten Benutzung des Internetradios erscheint das Hauptmenü für diesen Betriebsmodus.



DE

Wenn Sie bereits Internet-Radio über Ihren R7 wiedergegeben haben, wird automatisch der zuletzt gehörte Sender wiedergegeben.

### Zuletzt gehörte Sender

Wenn Sie **MENU** > **Zuletzt gehört** auswählen, wird eine Liste der vor Kurzem wiedergegebenen Sender angezeigt.

Beim ersten Gebrauch Ihres R7 wird diese Liste leer sein.

### Senderliste

Sie können die ausführliche Liste der Sender durchsuchen, indem Sie **MENU** > **Senderliste** auswählen und aus verschiedenen Optionen wie Genre, Standort und Beliebtheit auswählen.

## Angezeigte Informationen

Der Sendername wird zusammen mit zusätzlichen Informationen wie Künstler- und Titelname angezeigt. Um zu konfigurieren, welche Informationen angezeigt werden sollen, wählen Sie **MENU > Info** und wählen Sie aus Radiotext, Sendergruppen- oder Gesamtinformation, Programmart, Signalstärke oder Signalformat.

## Nach Sender suchen

Suchen Sie nach einem Sender, indem Sie **MENU > Senderliste > Sender > Sender suchen** auswählen und anschließend den Namen des Senders, nach dem Sie suchen, eingeben.

## Podcasts

Viele Sender verfügen über Podcasts, die Sie auf die gleiche Weise wie Internetradiosender durchsuchen und suchen können.

## Stumm

Drücken Sie **▶II**, um die Stummschaltung zu aktivieren/deaktivieren.

## Radiosender speichern

Sie können 10 Internetradiosender in Ihrer voreingestellten Liste speichern. Siehe Abschnitt „Häufig verwendete Funktionen“.

## Gespeicherten Radiosender aufrufen

Siehe Abschnitt „Häufig verwendete Funktionen“.

## Ruark-Radiportal

Zusätzlich zu den gespeicherten Sendern verfügt *Internet radio* über zwei weitere Optionen, um Ihre Lieblingssender mittels des Ruark-Radiportals zu speichern und zu organisieren.

Unter [www.ruarkaudio.com/radiportal](http://www.ruarkaudio.com/radiportal) finden Sie weitere Informationen.

Sie benötigen den einzigartigen Zugangscode für das Portal Ihres Radios. Diesen finden Sie unter **Menu > Senderliste > Hilfe > Zugriffscode erhalten**.

## Meine Favoriten

Diese Funktion ähnelt dem Speichern voreingestellter Sender, außer dass die Sender online über das Ruark-Radiportal gespeichert werden. Dadurch können Sie auf Ihre Lieblingssender von jedem unter demselben Benutzerkonto registrierten Ruark-Internetradioprodukt zugreifen.

Drücken und halten Sie das **STEUERRAD** bis *Favorit hinzugefügt* angezeigt wird, um einen Sender unter Ihren Favoriten zu speichern. Diese Funktion ist nur verfügbar, wenn Sie Ihr R7 im Radiportal registriert haben.

## Meine hinzugefügten Sender

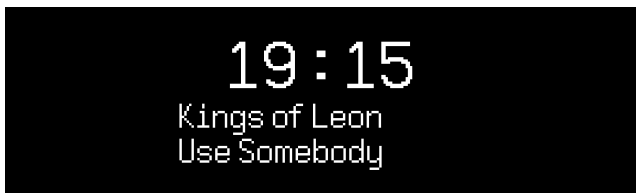
Sie können Sender manuell hinzufügen, die noch nicht aufgelistet sind, indem Sie das Online-Ruark-Radiportal besuchen. Auf diese hinzugefügten Stationen können Sie unter **MENU > Senderliste > Meine Favoriten** zugreifen.

# CD-Player

Um eine CD wiederzugeben, schieben Sie sie in den CD-Schlitz. Die Wiedergabe startet automatisch.

## Angezeigte Informationen

Normalerweise werden bei CDs Titelnummer und -zeit angezeigt und bei MP3-CDs Titel- und Albumname.



Um die angezeigten Informationen zu ändern, wählen Sie **MENU > Info** und wählen Sie zwischen Album- und Künstlerinformation, Fortschrittsbalken oder Dateiname (Optionen hängen von der Art der CD ab).

## Abspielen/Pause

Drücken Sie, ►|| um einen Titel abzuspielen oder anzuhalten.

## Wiedergabe beenden

►|| lange drücken

## Titel überspringen

►►| oder |◄◄ drücken, um zum nächsten oder vorherigen Titel zu springen

## Vor- und zurückspulen

►►| bzw. |◄◄ drücken und gedrückt halten, um vor- bzw. zurückzuspulen.

## Auswerfen

Den Auswurfknopf neben dem CD-Schlitz drücken.

## Zufallswiedergabe

Spielt Titel in zufälliger Reihenfolge ab.

**MENU > Zufällige > An**

## Wiederholung

Um einen bzw. alle Titel zu wiederholen,

**MENU > Wiederholen > Einen** oder **Alle** auswählen

DE

---

*Ordnerstrukturen auf MP3/WMA/AAC -CDs werden ignoriert und alle Titel werden in einer einzelnen Liste angezeigt.*

*Kopiergeschützte WMA- und AAC-Dateien können nicht abgespielt werden*

---

# Bluetooth

Ihr R7 unterstützt aptX, um Musik in CD-Qualität zu streamen, sowie aptX HD für das Streamen in Hi-Res 24-Bit. Die Verbindung erfolgt automatisch in der höchsten, von Ihrem Bluetooth-Gerät unterstützten Qualität.

## Kopplung Ihres Bluetooth-Geräts

Wenn Sie die Quelle auf Bluetooth geändert haben, müssen Sie warten, bis *Warten auf Verbindung...* angezeigt wird und die Kontrollleuchte oben blinkt.

Verwenden Sie die Bluetooth-Einstellung auf Ihrem internetfähigen Gerät, um dieses an Ihren R7 zu koppeln und eine Verbindung herzustellen. Er erscheint in der Liste der gekoppelten Geräte als *Ruark R7\**. Bei erfolgreicher Verbindung wird *BT Angeschlossen + Bezeichnung Ihres Geräts* (z. B. Archie's Telefon) angezeigt.

Es kann einige Sekunden dauern, bis Ihr R7 in der Liste auf Ihrem Gerät erscheint. In einigen Fällen muss „0000“ als Passwort eingegeben werden.

Sollte die Verbindung nicht innerhalb einiger Minuten hergestellt werden, bricht Ihr R7 den Verbindungsversuch ab und *Keine Verbindung* wird angezeigt. Zum Verbinden wählen Sie **MENU > Gerät anschließen**.

## Verbinden Ihres Bluetooth-Geräts

Sobald Sie auf Bluetooth schalten, zeigt Ihr R7 *Verbindung...* an und versucht, eine Verbindung zu dem zuletzt gekoppelten Gerät herzustellen.

Sollte dieses Gerät nicht verfügbar sein, wird *Warten auf*

*Verbindung...* angezeigt. Um eine Verbindung mit Ihrem R7 herzustellen, müssen Sie sicherstellen, dass die Bluetooth-Funktion Ihres Geräts aktiviert ist. Wählen Sie *Ruark R7\** aus der Liste der verfügbaren Geräte auf Ihrem Bluetooth-Gerät.

## Gerätebezeichnung

\*Ihr R7 wird an Bluetooth-Geräten als Ruark R7 angezeigt. Allerdings können Sie Ihrem Gerät eine nähere Bezeichnung wie „Archies R7“ oder „Wohnzimmer R7“ geben. Siehe ‚Systemeinstellungen‘.

## Audiodateien wiedergeben

War das Anschließen erfolgreich, werden Audiodateien von Ihrem Bluetooth-Gerät auf Ihrem R7 wiedergegeben. Weitere Informationen zur Wiedergabe von Audiodateien von Ihrem Bluetooth-Gerät finden Sie im Handbuch Ihres Bluetooth-Geräts.

HINWEIS: Sie müssen eventuell Ruark R7 oder Bluetooth als Audio-Ausgang auf Ihrem Gerät auswählen.

## Wiedergabe pausieren

Drücken Sie **▶||** zum Pausieren und erneut zur Wiedergabe.

## Nächsten/vorherigen Titel wiedergeben

Drücken Sie **▶▶1**, um zum nächsten Titel im aktuellen Ordner bzw. Album zu springen, oder drücken Sie **1◀◀**, um den Titel von vorne zu hören. Durch nochmaliges Drücken springen Sie zum vorangehenden Titel.

## Lautstärke einstellen

Wir empfehlen, die Lautstärke an Ihrem Bluetooth-Gerät

einzustellen, damit die Wiedergabelautstärke der der anderen Wiedergabequellen entspricht. Mit der Lautstärkeregelung Ihres R7 können Sie die allgemeine Wiedergabelautstärke einstellen.

## Wiedergabeinformationen

Künstler-, Album- und Titelname werden angezeigt, wenn Ihr Bluetooth-Gerät und dessen Bluetooth-Version Bluetooth-Metadaten unterstützen. Sie können auch den Namen des angeschlossenen Geräts anzeigen lassen. Konfigurieren Sie die Anzeige unter **MENU > Info**.

## Einsatzbereich

Dieser beträgt in der Regel bis zu 10 Meter Entfernung von Ihrem R7, obwohl Hindernisse wie Wände diese Entfernung einschränken können.

## Ein Gerät anschließen

Wählen Sie **MENU > Gerät anschließen** aus, um das gerade verwendete Gerät zu entfernen und ein neues anzuschließen.

## Koppeln von zusätzlichen Geräten

Sie können bis zu 7 Geräte koppeln, obwohl Sie Audiodateien immer nur von einem Gerät abspielen können.

---

*Sie können die Bluetooth-Funktion auf Ihrem R7 nicht zur Verbindung mit Bluetooth-Kopfhörern verwenden*

---

## Löschen der Liste der gekoppelten Geräte

Wenn Sie Probleme beim Herstellen der Verbindung zu Ihrem Bluetooth-Gerät haben, empfehlen wir Ihnen, alle Kopplungsinformationen zu löschen. Dafür müssen Sie **MENU > Geräte löschen** wählen.

Sie müssen außerdem *Ruark R7* aus der Liste der gekoppelten Geräte auf Ihrem Bluetooth-Gerät löschen, bevor Sie es mit Ihrem R7 erneut koppeln.

Weitere Informationen finden Sie unter [www.ruarkaudio.com/support](http://www.ruarkaudio.com/support)

# Musikabspieler

Musikplayer ermöglicht es Ihnen, Audiodateien von einem Computer in Ihrem Netzwerk, einem USB-Stick oder einer externen Festplatte abzuspielen.

## USB - Musikabspieler

Zur Wiedergabe von Audiodateien von einem USB-Speichermedium (FAT32-Format erforderlich) wie einem USB-Stick oder einer USB-Festplatte, verbinden Sie das entsprechende Gerät mit dem USB-Anschluss an der Rückseite Ihres R7.

Beim ersten Anschluss eines USB-Speichermediums fragt der R7 automatisch, ob Sie die Titelliste anzeigen möchten. Ansonsten können Sie die Titelliste unter **Menu > Musikabspieler > USB** anzeigen.



## Netzwerk - Musikabspieler

Ihr R7 bietet eine umfassende DLNA-Kompatibilität und spielt Musik von Bibliotheken auf anderen Geräten in Ihrem Netzwerk ab. Eine Bibliothek kann sich auf einem Laptop, Smartphone oder Tablet befinden. Es kann sich dabei jedoch auch um einen speziellen Musikserver wie ein NAS-Laufwerk (Network Attached Storage) handeln.

Die meisten Windows-Computer und NAS-Laufwerke sind bereits als Media-Server konfiguriert und einige Router arbeiten auch als Media-Server. Es gibt viele Apps für Mac, iOS, Linux, Android, Windows Phone usw., die Ihren MP3-Player, ihr Smartphone oder Tablet in einen Musikserver verwandeln.

Um die in Ihrem Netzwerk verfügbare, freigegebene Musik abzuspielen, wählen Sie **MENU > Gemeinsame Medien**. Nachdem Ihr R7 Ihr Netzwerk nach freigegebenen Medien durchsucht hat, erscheint eine Liste mit allen Musikservern, bestehend aus Rechnername und Name des geteilten Mediums, z. B.: <Ruark-Laptop: Archie Music>.

Die untergeordneten Menüpunkte werden von dem Media-Server erstellt. In den meisten Fällen können sie jedoch nach Genre, Ordner, Künstler, Album usw. sortiert werden.

Wenn Ihr R7 nicht mit einem Netzwerk verbunden ist, wird er versuchen, sich zu verbinden. Weitere Informationen finden Sie unter [www.ruarkaudio.com/support](http://www.ruarkaudio.com/support)

## Musik durchsuchen und wiedergeben

Drehen Sie am **STEUERRAD**, um durch die Titellisten zu blättern und drücken Sie den Knopf, um den markierten Ordner oder das Album zu öffnen bzw. den Titel abzuspielen.

Um zur vorherigen Anzeige zu gelangen, **BACK** drücken.

---

*Rechtlich geschützte WMA- und AAC-Titel können auf Ihrem R7 nicht abgespielt werden.*

---

## Wiedergabe pausieren

Drücken Sie ►|| zum Pausieren und erneut zur Wiedergabe.

## Titel überspringen

Drücken Sie ►►I, um zum nächsten Titel im aktuellen Ordner bzw. Album zu springen, oder drücken Sie I◄◄, um den Titel von vorne zu hören. Durch nochmaliges Drücken springen Sie zum vorhergehenden Titel.

## Vor- und zurückspulen

Drücken Sie ►►I bzw. I◄◄ und halten Sie die Taste gedrückt, um vor- bzw. zurückzuspulen.

## Zufallswiedergabe

Um Titel in einer zufälligen Reihenfolge abzuspielen, wählen Sie **MENU > Zufallswiedergabe** und drücken Sie das **STEUERRAD**, um die zufällige Wiedergabe zu aktivieren bzw. zu deaktivieren.

HINWEIS: Bei einer großen Anzahl von Titeln ist diese Funktion eventuell nicht verfügbar.

## Wiederholung

Um einen einzelnen Titel oder alle Titel des aktuellen Ordners zu wiederholen, wählen Sie **MENU > Wiederholen** und drücken Sie das **STEUERRAD**, um die wiederholte Wiedergabe zu aktivieren bzw. zu deaktivieren.

## Meine Wiedergabeliste

Sie können Ihre eigene Wiedergabeliste erstellen und ihr bis zu

500 Titel hinzufügen. Diese kann eine Mischung aus Titeln von allen verfügbaren Media-Servern und USB-Geräten enthalten. Um Ihre Wiedergabeliste zu verwalten, wählen Sie **Menu > Meine Playlist**.

Um Ihrer Wiedergabeliste Titel oder Ordner hinzuzufügen, markieren Sie diese und halten Sie das **STEUERRAD** für zwei Sekunden gedrückt.

Um einen Titel aus Ihrer Wiedergabeliste zu entfernen, markieren Sie den Titel unter My playlist und halten Sie das **STEUERRAD** zwei Sekunden lang gedrückt.

Bitte beachten Sie, dass Ihre Wiedergabeliste verfügbar ist, wenn Ihr R7 eingeschaltet oder im Standby-Modus ist. Sie wird gelöscht, wenn das Gerät ausgeschaltet wird.

## Wiedergabeinformationen

Üblicherweise wird zuerst der Titelname angezeigt und darunter die zusätzlichen Informationen. Um die angezeigten Informationen zu ändern, wählen Sie **MENU > Info** und wählen Sie dort zwischen Album- und Titelinformation, Anzeige des Fortschrittsbalkens oder Datenformat.

## Server aus Liste löschen

Ihr R7 speichert automatisch die Namen von Media-Servern, mit dem er eine Verbindung aufbaut. Die aktuell nicht verfügbaren Server werden durch ein Fragezeichen vor dem Namen gekennzeichnet: z. B. „?Home-Laptop“. Sie können diese Server aus der Liste entfernen, indem Sie **MENU > Server entfernen > Ja** auswählen.

# Streaming von DLNA-Medien

Sie können auch Musik von einem DLNA-kompatiblen (Digital Living Network Alliance) Medienserver auf Ihrem R7 streamen. In diesem Fall durchsuchen Sie den Server selbst nach Musik, die Sie dann auf Ihrem R7 abspielen. Es gibt viele Apps für Mac, iOS, Linux, Android, Windows phone usw., die Ihr Smartphone, Tablet oder Ihren Laptop in einen DLNA-Musikserver verwandeln. Der Windows Media Player verfügt sogar über eine Funktion „Wiedergeben auf“, die es Ihnen ermöglicht, die Musik auf Ihrem Rechner direkt auf Ihrem R7 abzuspielen.

Beim Streaming von DLNA-Medien fungiert Ihr R7 als Digital Media Renderer (DMR). Das heißt, Sie suchen auf Ihrem Smartphone oder Laptop nach Musik, die Sie dann auf Ihrem R7 über Ihr Netzwerk abspielen.

Ihr R7 wird automatisch in den DMR-Modus schalten, wenn Sie Ihr R7\* als Wiedergabegerät auswählen – DMR kann nicht über die **SOURCE**-Taste ausgewählt werden.

Dementsprechend werden alle angezeigten Informationen über den Server gesteuert und es gibt keine Einstellungen, die Sie ändern können.

Weitere Informationen finden Sie im Handbuch Ihres Geräts oder der App oder unter **[www.ruarkaudio.com/support](http://www.ruarkaudio.com/support)**.

---

*Das Streaming von DLNA-Medien erfordert, dass Ihr R7 mit Ihrem Netzwerk verbunden ist. Aus diesem Grund empfehlen wir die Einstellung „Halten Netzwerk verbunden“. Siehe Systemeinstellungen.*

---



# Musikstreamingdienste

Ihr R7 unterstützt die unten angegebenen Musikstreamingdienste.

## Spotify Connect

Verwende dein Smartphone, Tablet oder deinen Computer als Fernbedienung für Spotify. Auf [spotify.com/connect](https://spotify.com/connect) erfährst du mehr.

## Amazon Music

Weitere Informationen finden Sie auf [www.amazon.com](https://www.amazon.com)

## Deezer

Weitere Informationen finden Sie auf [dzt.fm/airable](https://dzt.fm/airable)

## TIDAL

Weitere Informationen finden Sie auf [tidal.com](https://tidal.com)

Bitte beachten Sie, dass die TIDAL-Qualität im Multi-Room-Modus nicht unterstützt wird. Wenn Sie TIDAL im Multi-Room-Modus hören möchten, ändern Sie die Audioqualität mit der Ruark Link App auf Normal.

Die unterstützen Musikdienste können ohne Vorankündigung geändert werden.

DE



## Line-Eingang und optischer Eingang

Sie können den Ton von einer externen analogen Wiedergabequelle abspielen, indem Sie die Quelle mit Line-Eingang 1 oder 2 verbinden. Eine digitale Quelle verbinden Sie mit dem optischen Eingang 1 oder 2.

## Cincheingang

Der R7 verfügt über einen HiFi-Vorverstärker, der mit einem Tonabnehmer mit bewegtem Magnet (MM) verwendet werden kann.

Er ist nicht für elektrodynamische Tonabnehmer mit bewegter Spule geeignet.

Für den Anschluss eines Plattenspielers an Ihren R7 empfehlen wir die Verwendung hochwertiger Cinchkabel.

## Einstellung des Wiedergabe-Pegels

Für die beste Klangwiedergabe sollten Sie die Lautstärke des externen Geräts (z.B. MP3-Player oder Plattenspieler) anpassen, damit die Lautstärke den integrierten Wiedergabequellen wie CD oder USB entspricht.

Ist die Lautstärke leiser, erhöhen Sie den Wiedergabe-Pegel.

Ist die Lautstärke lauter oder verzerrt, reduzieren Sie den Wiedergabe-Pegel.

Sie können den Wiedergabe-Pegel über **MENU > Eingangspegel** und die Auswahl des gewünschten Pegels einstellen.

-3dB ist der niedrigste Pegel. Er eignet sich für Audiogeräte mit einem leistungsstarken Ausgang (2 V RMS), z.B. externer CD-Spieler.

+6dB ist die Standardeinstellung und eignet sich für die meisten Geräte.

### Line-Pegel

Hier kann eine höhere Verstärkung (bis zu +24 dB) gewählt werden, da der Ausgangspegel der Kopfhörer von einigen Mobilgeräten recht niedrig sein kann.

### Cincheingangpegel

Das Gerät ist mit den meisten herkömmlichen Tonabnehmern mit bewegtem Magnet (MM) kompatibel. Kontrollieren Sie die technischen Daten Ihres Tonabnehmers und wählen Sie die beste Einstellung aus.

- 3 dB (6-8 mV)

0 dB (4-6 mV)

+3 dB (3-4 mV)

+6 dB (2-3 mV)

Wenn Ihre externe Wiedergabequelle über einen Lautstärkeregler verfügt, müssen Sie diesen ebenfalls anpassen.

---

Für das beste Klangerlebnis empfehlen wir, dass Sie die Lautstärke des externen Geräts durch Anpassung des Wiedergabe-Pegels einstellen.

---

# Brummschleifen

(Eliminierung von Brummen)

Es kann vorkommen, dass ein Brummen zu hören ist, wenn eine externe Wiedergabequelle über den Line- oder Cincheingang angeschlossen wird, z.B. Wiedergabe von einem externen Netzgerät oder USB-Gerät auf Ihrem R7.

Dies ist leider ein häufig auftretendes Problem, das nicht immer leicht zu lösen ist. Ihr R7 verfügt jedoch über zwei Merkmale, die diesem Problem entgegenwirken sollten.

## Wechsel zwischen Line-Eingang 1 und 2

Der Line-Eingang 2 ist im Gegensatz zu Line-Eingang 1 geerdet, wodurch er leiser sein sollte.

## Verwendung des Erdanschlusses auf der Rückseite

Hilft dies nicht oder verwenden Sie den Cincheingang, können Sie den Erdanschluss des externen Geräts mit dem Erdanschluss auf der Rückseite Ihres R7 verbinden.

Weitere Informationen finden Sie unter [www.ruarkaudio.com/support](http://www.ruarkaudio.com/support)

---

## WICHTIG

**Trennen Sie das Stromkabel Ihres R7, bevor Sie den Erdanschluss anschließen. Wenn Sie nicht wissen, wie Sie den Erdanschluss Ihres externen Geräts an den R7 anschließen, wenden Sie sich bitte an einen Fachmann!**

---

# Multiroom

Dieses Gerät verfügt über die Multiroom-Funktion von Ruark Audio und ermöglicht es Ihnen, Musik ganz einfach in allen Räumen zu streamen.

Zuerst müssen Sie eine Gruppe mit bis zu 6 Geräten erstellen, die dann die synchronisierte Klangwiedergabe abspielen. Nachdem Sie die Gruppe erstellt haben, können Sie weitere Geräte hinzufügen.

Zum Erstellen einer Gruppe wählen Sie **MENU > Multiroom > Neue Gruppe erstellen**, geben den Namen der Gruppe ein und wählen OK. Wählen Sie aus der Liste der verfügbaren Geräte in Ihrem Netzwerk bis zu 5 Geräte für die Gruppe aus und drücken Sie danach **MENU**, um die Auswahl zu bestätigen und das Menü zu verlassen. Alle Geräte der Gruppe spielen jetzt die synchronisierte Klangwiedergabe ab.

Um ein Gerät zu der aktuellen Gruppe hinzuzufügen, wählen Sie **MENU > Multiroom > Zur Gruppe hinzufügen**.

Um andere Geräte aus der aktuellen Gruppe zu löschen, wählen Sie **MENU > Multiroom > Aus Gruppe entfernen**.

Um das aktuelle Gerät aus der Gruppe zu löschen, wählen Sie **MENU > Multiroom > Gruppe verlassen**.

Um die aktuelle Gruppe zu löschen, wählen Sie **MENU > Multiroom > Gruppe löschen**. Die Gruppe wird gelöscht und es erfolgt keine Wiedergabe über Multiroom mehr.

Sie können die Multiroom-Wiedergabe auch über die Ruark Audio Link-App einstellen und steuern.

Weitere Informationen finden Sie unter [www.ruarkaudio.com/support](http://www.ruarkaudio.com/support)

## Steuerung über die App

Sie können die Multiroom-Wiedergabe auch über die Ruark Audio Link-App einstellen und Ihren R7 darüber steuern. Diese können Sie aus dem App-Store für Apple/Android herunterladen.

Weitere Informationen finden Sie unter [www.ruarkaudio.com/support](http://www.ruarkaudio.com/support)

## Zugangs-PIN für die App

Weisen Sie Ihrem R7 eine PIN zu, um nur berechtigten Nutzern den Zugang zum Gerät mit der Ruark Audio Link-App zu ermöglichen.

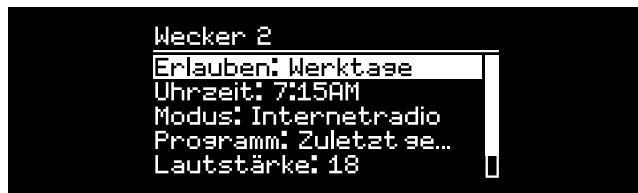
**MENU > System > Netzwerk > PIN-Setup.**

## Alarmer, Schlummern und Schlafen

### Einstellen eines Alarms

Ein aktiver Alarm wird durch ein Alarmsymbol angezeigt, das blinkt, wenn der Alarm ertönt.

Wählen Sie **MENU > System > Datum und Zeit > Alarms** und wählen Sie Alarm 1 oder Alarm 2 mit dem **STEUERRAD** aus.



Wählen Sie, wann der Alarm ertönen soll (aus, täglich, einmal, am Wochenende oder an Wochentagen), stellen Sie die Zeit ein, wählen Sie, ob ein Radiosender, eine CD oder ein Signal abgespielt werden soll und konfigurieren Sie die Lautstärke. Wählen Sie **save**, um den Alarm zu speichern und die Einstellungen zu verlassen.

**HINWEIS:** Bluetooth-Quellen, USB oder Netzwerk-Musikserver können für den Alarm nicht genutzt werden.

## Schlummern

Drücken Sie das **STEUERRAD**, um einen ertönenden Alarm vorübergehend auszuschalten und drücken Sie dieses erneut, um den Schlummerzeitraum zu verlängern (5, 10, 15 oder 30 Minuten).

Um einen ertönenden oder schlummernden Alarm auszuschalten, drücken Sie das **STEUERRAD** halten Sie es gedrückt.

## Timer

Um die Zeit, nach der Ihr R7 automatisch in den Standby-Modus schaltet, zu konfigurieren, wählen Sie **MENU > System > Datum und Zeit > Wecker**.

Wählen Sie die Verzögerung in Minuten aus (Aus, 15, 30, 45, 60) und drücken Sie anschließend den Knopf, um Ihre Auswahl zu bestätigen. Das Display wird auf die Standby-Helligkeit gedimmt, kehrt zur Wiedergabeanzeige zurück und zeigt das Schlafsymbol an.

# Technische Daten

## Verstärker und Lautsprecher

2 x 5.5" Lautsprecher „Dual Concentric“

1 x 8" Langhub-Subwoofer

180 W, getrennt, Leistungsverstärker der Klasse AB

Integrierter MM-Vorverstärker

Verbesserter digitaler 3D-Audioprozessor

## Tuner

Tuner für DAB, DAB+ und UKW mit RDS

DAB-/UKW-Antenneneingang mit 75-Ohm-Steckverbinder

## CD-Player

CD, CD-ROM, CD-R/-RW

MP3, WMA bis zu 320 kbit/s

## Digitalaudio

Audiophiles Audio Stereo DAC mit 32 Bit und 112 dB

Internetradio, Spotify Connect, UPnP™ DLNA

802.11b/g Wi-Fi unterstützt WEP-, WPA- & WPA2-Sicherheitsprotokolle

MP3, WMA, AAC, FLAC, WAV

SBC, AAC, A2DP, aptX, aptX HD Bluetooth

## Eingänge und Ausgänge

1 x MM-Cincheingang (RCA)

2 x optischer Digitaleingang (TOSLINK)

2 x Line-Eingänge (RCA)

1 x Line-Ausgang (RCA)

1 x Ethernet (RJ45)

5 W (5 V, 1 A) USB

3,5mm Stereo-Kopfhörer-Klinkenausgang

## Strom

Netzspannung: 100-120/200-240 VAC 50 – 60 Hz

Sicherung: 250 V, T 6,3 A

Nennverbrauch: 25W

Verbrauch im Standbybetrieb: 1,0W

## Maße

Abmessungen ohne Beine:

H 165 mm x B 1000 mm x T 400 mm

(H 6,9" x B 39,4" x T 15,7")

Gewicht (mit Beinen): 27,8 kg (61,3 Pfund)

Änderungen der technischen Daten und Konstruktion vorbehalten.  
Zertifizierung nach Digital Radio bei Verwendung der mitgelieferten Dipolantenne.

# Sicherheitshinweise und -vorschriften

- Lesen Sie diese Bedienungsanleitung und befolgen Sie alle Anweisungen. So können Sie Ihr Produkt ordnungsgemäß einstellen und bedienen.
- Beachten Sie alle Warnhinweise und bewahren Sie diese Bedienungsanleitung zum späteren Nachschlagen auf.
- Verwenden Sie kein beschädigtes Gerät, da dies zu einem gefährlichen Stromschlag führen könnte.
- Gerät nicht öffnen. Keine Abdeckungen entfernen. Elektronik nicht freilegen. Das Gerät darf nicht vom Verbraucher gewartet oder repariert werden.
- Die Wartung muss durch qualifiziertes Servicepersonal durchgeführt werden. Eine Wartung ist notwendig, wenn das Gerät beschädigt wurde, z.B. Stromkabel oder Stecker beschädigt, Flüssigkeiten eingedrungen oder Gegenstände in das Gerät gefallen, Gerät war Regen oder Feuchtigkeit ausgesetzt, funktioniert nicht richtig oder ist heruntergefallen.
- Das Gerät darf ausschließlich mit den auf der Rückseite angegebenen AC-Spannungen oder dem mitgelieferten Netzteil verwendet werden. Wird das Gerät an andere Spannungen angeschlossen, können irreversible Schäden am Gerät entstehen. In diesem Fall gilt die Produktgarantie nicht mehr.
- Stellen Sie sicher, dass der Netzstecker oder der Netzanschluss für die Einheit gut zugänglich sind, falls diese vom Stromnetz getrennt werden muss.
- Das Netzteil, der Netzstecker oder der Netzanschluss muss aus der Steckdose gezogen werden, um das System vollständig vom Stromnetz zu trennen.
- Stellen Sie keine offenen Flammen wie brennende Kerzen auf oder in die Nähe des Geräts. Nicht in der Nähe von Wärmequellen wie Heizkörpern, Öfen oder anderen wärmeproduzierenden Geräten (einschließlich Verstärkern) installieren.
- Keiner extremen Hitze oder Kälte aussetzen.
- Verwenden Sie nur für dieses Gerät zugelassene(s) Zusatzgeräte/ Zubehör. Keine Änderungen am System oder Zubehör durchführen. Nicht genehmigte Änderungen können die Sicherheit, Konformität und Leistung des Geräts gefährden.
- Verwenden Sie nur die mitgelieferte Antenne oder eine zugelassene Ersatzantenne.
- Das Gerät weder Regen noch Feuchtigkeit aussetzen, um die Gefahr eines Feuers oder Stromschlags zu reduzieren. Das Gerät darf nicht mit tropfenden oder spritzenden Flüssigkeiten in Kontakt kommen. Es sollten keine Gegenstände mit Flüssigkeit wie beispielsweise Vasen darauf oder in der Nähe abgestellt werden. Wie bei allen elektronischen Geräten müssen Sie darauf achten, dass keine Flüssigkeiten in das System eindringen. Flüssigkeiten können zu einem Defekt oder einer Feuergefahr führen.
- Das Gerät sollte bei Gewitter oder längerer Nichtnutzung von der Stromversorgung getrennt werden, damit es nicht zu Schäden kommt.
- Um die Gefahr eines Feuers oder Stromschlags zu vermeiden, sollten Steckdosen, Verlängerungskabel oder Mehrfachsteckdosen nicht überlastet werden.
- Laute Musik kann langfristig zu Hörschäden führen. Bei der Verwendung von Kopfhörern sollte die Lautstärke, vor allem über einen längeren Zeitraum, nicht zu hoch sein.
- Das Gerät darf nicht in engen Räumen installiert werden. Beachten Sie für die Lüftung einen Mindestabstand von 10 cm um das Gerät. Vergewissern Sie sich, dass Vorhänge oder andere Gegenstände die Lüftungsöffnungen des Geräts nicht verdecken.



**SICHERHEITSHINWEISE ZU LITHIUM-KNOPFZELLEN.** Die Fernbedienung enthält eine Lithium-Knopfzelle, die bei Verschlucken zu Verätzungen führen kann. Neue und verwendete Batterien außerhalb der Reichweite von Kindern aufbewahren. Vermuten Sie, dass eine Batterie verschluckt wurde, suchen Sie einen Arzt auf. Ausgelaufene oder beschädigte Batterien nicht verwenden. Explosionsgefahr, wenn die Batterie falsch ausgetauscht wird. Austausch nur gegen eine Batterie gleicher oder gleichwertiger Art.



Dieses Produkt ist gemäß der europäischen Richtlinie 2012/19/EU über Elektro- und Elektronikgeräte-Abfall gekennzeichnet. Dieses Symbol zeigt an, dass das Produkt und die enthaltenen Batterien nicht mit dem normalen Hausmüll entsorgt werden dürfen. Entsorgen Sie es gemäß den geltenden Bestimmungen für Elektronikmüll.



CE-KONFORMITÄT

Dieses Produkt entspricht allen gesetzlich vorgeschriebenen EU-Richtlinien. Ein kostenloses Exemplar der Konformitätserklärung erhalten Sie bei Ihrem Händler, Lieferanten oder Ruark Audio.

Hiermit erklärt Ruark Audio, dass dieses Gerät den grundlegenden Anforderungen und einschlägigen Bestimmungen der Funkgeräte-Richtlinie 2014/53/EU entspricht.

Sie können die vollständige CE-Konformitätserklärung herunterladen:  
[www.ruarkaudio.com/doc/R7mk3doc.pdf](http://www.ruarkaudio.com/doc/R7mk3doc.pdf)

## Fehlersuche und -beseitigung

Wenn Sie Hilfe mit Ihrem Produkt benötigen, informieren Sie sich bitte auf der FAQ-Seite (Frequently Asked Questions) im Supportbereich unserer Website.

Weitere Informationen finden Sie unter  
[www.ruarkaudio.com/support](http://www.ruarkaudio.com/support)

## Garantie

Wir garantieren, dass dieses Produkt 2 Jahre lang ab Kaufdatum fehlerfrei funktioniert, vorausgesetzt, dass die Hinweise zur Bedienung in dieser Anleitung beachtet wurden. Diese Garantie erlischt bei Funktionsstörungen durch versehentliche Beschädigungen aller Art, übermäßige Abnutzung, Fahrlässigkeit oder nicht autorisierte Veränderungen.

Setzen Sie sich bei Problemen entweder über unsere Website [www.ruarkaudio.com](http://www.ruarkaudio.com) mit uns in Verbindung oder rufen Sie unter 0044 (0) 1702 601410 an. Wir suchen dann für Sie nach einer Lösung. Wenn Sie Ihr Gerät zurückgeben möchten, schicken Sie es zusammen mit dem Kaufbeleg in der Originalverpackung zurück. Können Sie das Produkt nicht selbst zurückbringen, sollte es per Paketversand frei an uns geschickt werden. Ist die Originalverpackung nicht mehr verfügbar, können Sie von uns eine Ersatzverpackung kaufen.

## Garantie bei Erwerb im Ausland

Der Händler des jeweiligen Landes, in dem das Gerät gekauft wurde, gibt eine Garantie für Produkte, die außerhalb von Großbritannien gekauft wurden. Weitere Informationen erhalten Sie von Ihrem örtlichen Ruark- Händler.

**DIESE GARANTIE SCHRÄNKT DIE GESETZLICH ZUGESICHERTEN RECHTE DES KÄUFERS NICHT EIN UND HEBT SIE NICHT AUF.** Irrtum vorbehalten.

# ruarkaudio

59 Tailors Court, Temple Farm Industrial Estate,  
Southend on Sea, Essex, SS2 5TH, UK  
+44 (0) 1702 601 410 [www.ruarkaudio.com](http://www.ruarkaudio.com)

## Allgemeine Pflege

Reinigen Sie das Gerät mit einem fusselfreien Tuch oder einem leicht angefeuchteten Lappen. Verwenden Sie keine Wachssprays oder anderen Substanzen, da diese die Oberflächenbeschaffenheit beschädigen oder die Leistung beeinträchtigen könnten.

Setzen Sie Ihr Gerät keinem direkten Sonnenlicht, hoher Luftfeuchtigkeit, Staub, starken Vibrationen oder extremen Temperaturen aus. All diese Faktoren haben Einfluss auf die Oberflächen, Leistung und Zuverlässigkeit des Geräts.

Die empfohlene Betriebstemperatur liegt zwischen 5 °C und 40 °C.

Naturholzoberflächen können sich optisch unterscheiden und nach längerer Zeit nachdunkeln oder aufhellen, vor allem wenn sie Sonneneinstrahlung ausgesetzt sind.

## Urheberrecht und Warenzeichen

© 2018 Ruark Audio. Alle Rechte vorbehalten. „Ruark Audio“, das „Ruark Audio“-Logo und die anderen „Ruark Audio“-Zeichen befinden sich im Besitz von Ruark Audio und können geschützt sein. Alle anderen Warenzeichen sind Eigentum ihrer jeweiligen Inhaber. Ruark Audio übernimmt keine Haftung für Fehler in dieser Bedienungsanleitung. Änderungen an den darin enthaltenen Informationen sind vorbehalten.

Bluetooth® und die damit verbundenen Logos sind eingetragene Warenzeichen von Bluetooth SIG, Inc.

Qualcomm aptX und aptX HD sind Produkte von Qualcomm Technologies International, Ltd.

Die Spotify-Software unterliegt den unter der folgenden Adresse angegebenen Nutzungsrechten:  
[www.spotify.com/connect/third-party-licenses](http://www.spotify.com/connect/third-party-licenses)

Alle anderen Warenzeichen sind Eigentum ihrer jeweiligen Inhaber.

Entworfen in  
Großbritannien.



20190430.1





High Fidelity Radiogram  
R7 mk3

User guide	EN
Brugervejledning	DA
Bedienungsanleitung	DE
<b>Guía del usuario</b>	<b>ES</b>
Guide de l'utilisateur	FR
Manuale dell'utente	IT
Gebruikershandleiding	NL
Brukerveiledning	NO

ruarkaudio

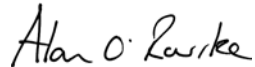
Gracias por elegir nuestro R7 mk3 High Fidelity Radiogram.

R7 está inspirado en un diseño clásico de mediados de siglo y es una evolución de nuestro concepto emblemático original con su aspecto sorprendente y asombrosa calidad de audio, le garantizamos que volverá a descubrir el placer de la música.

Dedique unos minutos a leer esta guía del usuario, ya que le ayudará a sacar más provecho a su R7.

Con el debido cuidado, estamos seguros de que su R7 le proporcionará muchos años de placer musical y en caso de que necesite ayuda, no dude en ponerse en contacto con nosotros. Como empresa familiar británica, estamos orgullosos de nuestra atención al cliente y siempre haremos todo lo posible por ayudarle.

De nuevo, gracias por elegir Ruark Audio.

A handwritten signature in black ink that reads "Alan O'Rourke". The signature is written in a cursive, flowing style.

Alan O'Rourke  
Fundador y director gerente

# Índice

Contenido de la caja	4	Servicios de transmisión de música	25
Controles	5	Entradas de línea y ópticas	26
Descripción	6	Entrada phono	26
Instalación de las patas	7	Ajuste del nivel de entrada	26
Primeros pasos	8	Multisala	27
Funciones comunes	10	Control a través de aplicación	28
Ajustes del sistema	13	Alarmas, aplazar y temporizador	28
Radio FM	15	Especificaciones	29
Radio DAB	16	Información normativa y de seguridad	30
Radio por Internet	17	Resolución de problemas	31
Reproductor de CD	19	Información sobre la garantía	32
Bluetooth	20	Cuidado general	32
Reproductor de música	22	Copyright y marcas registradas	32
Transmisión de medios DLNA	24		

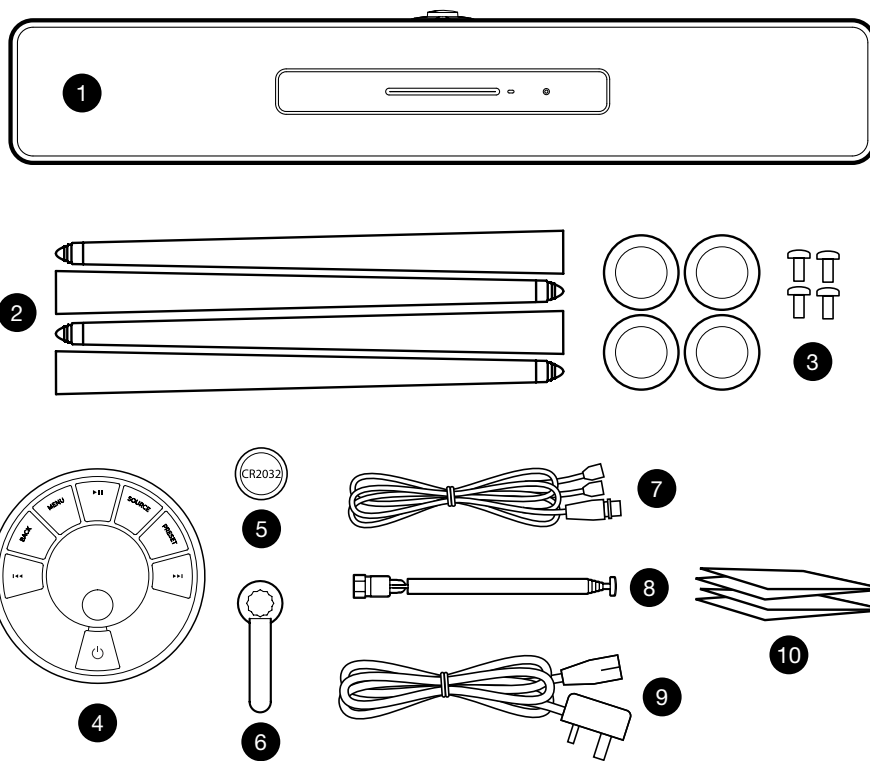
# Contenido de la caja

Compruebe que se incluyan en la caja todas las piezas que se enumeran a continuación.

Si falta alguna pieza, no utilice el R7 y póngase en contacto directamente con nosotros si lo adquirió en el Reino Unido o con su distribuidor Ruark Audio si lo adquirió fuera del Reino Unido.

1. R7
2. Cuatro patas torneadas
3. Cuatro patas y tornillos de fijación
4. Mando a distancia
5. Batería del mando (CR2032)
6. Llave para la antena
7. Antena de cable
8. Antena telescópica
9. Cable de alimentación
10. Manual de usuario y otros documentos

Si es posible, conserve la caja y todos los materiales de embalaje.



# Controles

Los controles en el R7 son iguales que en el mando a distancia.

11. **⏻** – **STANDBY**

12. **CONTROL KNOB / SELECT**

Girar para ajustar el volumen desde la pantalla de reproducción

Girar para recorrer los menús, las pistas o las listas de emisoras\*

Pulsar **SELECT** para seleccionar

13. **▶▶** – pulsar para ir a la siguiente pista o emisora, mantener pulsado para avance rápido

14. **◀◀** – pulsar para ir a la anterior pista o emisora, mantener pulsado para retroceso rápido

15. **PRESET** – pulsar para recuperar una emisora guardada o mantener pulsado durante dos segundos para guardar una emisora de radio.

16. **SOURCE** – pulsar para cambiar la fuente de audio

17. **▶||** – pulsar para reproducir/pausar la pista o silenciar las entradas de audio y radio

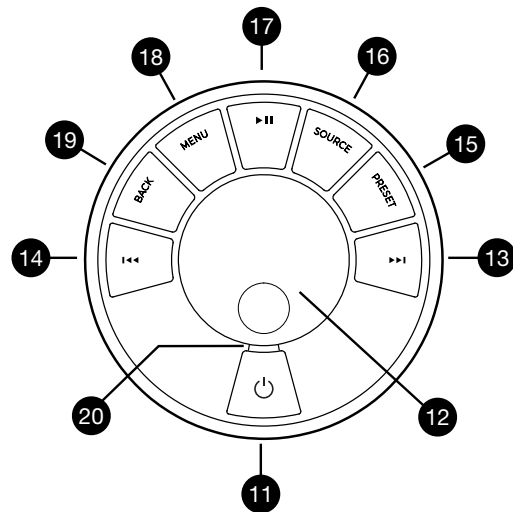
18. **MENU** – pulsar para ver el menú de opciones

19. **BACK** – pulsar para regresar a la pantalla del menú o lista anterior

20. **INDICATOR LIGHT**

En el R7 indica que su sistema de música está encendido y parpadea cuando el Bluetooth está preparado para enlazar o cuando utiliza el mando a distancia.

En el mando a distancia parpadea cuando pulsa una tecla o utiliza el mando de control y cuando la batería está baja la luz cambiará de azul a ámbar.



\*También puede pulsar **▶▶** o **◀◀** para recorrer los menús, fuentes, listas de pistas o emisoras

---

*La duración de la pulsación de las teclas es importante*

*Pulsar = tocar o pulsar y soltar de inmediato*

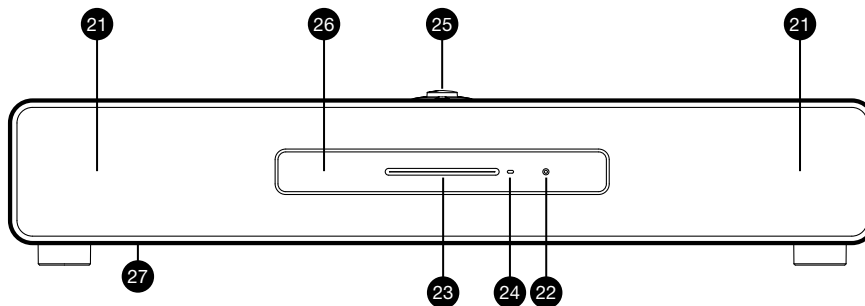
*Mantener pulsado = pulsar y soltar dos segundos después*

---

# Descripción

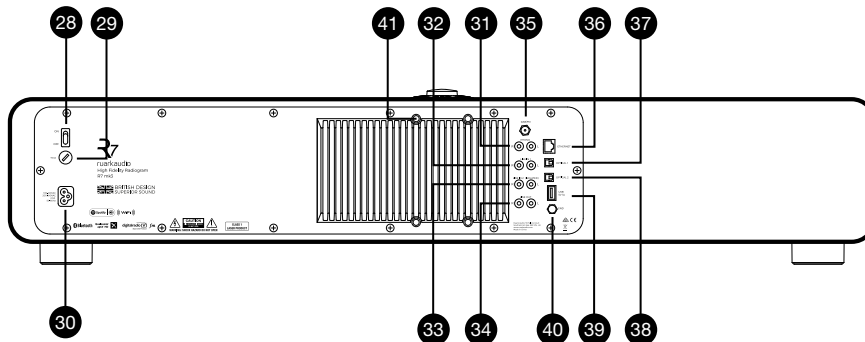
## Parte delantera

- 21. Dos conos estéreo concéntricos
- 22. Salida de auriculares (clavija de 3,5 mm)
- 23. Ranura de carga de CD
- 24. Botón de expulsión de CD
- 25. Controles
- 26. Pantalla OLED
- 27. Subwoofer



## Parte trasera

- 28. Interruptor de alimentación
- 29. Fusible de alimentación
- 30. Toma del cable de alimentación
- 31. Entrada phono
- 32. Entrada de línea 1
- 33. Entrada de línea 2
- 34. Salida de línea
- 35. Antenas DAB y FM
- 36. Ethernet
- 37. Entrada óptica 1
- 38. Entrada óptica 2
- 39. USB
- 40. Terminal a tierra
- 41. Puntos de fijación de soporte AV (4xM8)



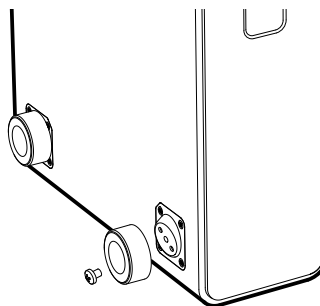
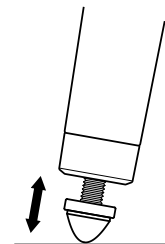
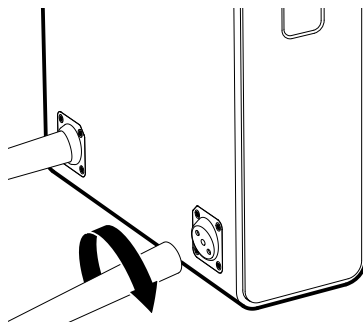
## Instalación de las patas

**¡Busque ayuda para mover su R7 puesto que pesa bastante y se puede dañar fácilmente!**

Retire con cuidado la bolsa protectora de su R7 y colóquelo de lado sobre una superficie estable, limpia y que no deje marcas, como un paño o la bolsa.

Enrosque las cuatro patas en las placas de montaje en la parte inferior de la carcasa de su R7 y apriete a mano cada pata de forma que esté bien sujeta pero con cuidado de no apretar demasiado. De la vuelta con cuidado a su R7 y colóquelo en su ubicación final y, si es necesario, ajuste las puntas de las patas para asegurarse de que está totalmente estable.

Para colocar su R7 sobre las patas, instale una pata sobre cada una de las cuatro placas de montaje en la parte inferior de la carcasa, asegurándose de que estén bien alineadas. Utilice un destornillador apropiado para sujetarlas con los tornillos incluidos. De la vuelta con cuidado a su R7 y colóquelo sobre una superficie firme y segura.



---

*Tenga cuidado de no dañar la rejilla del altavoz a la hora de trasladar su R7.*

---



---

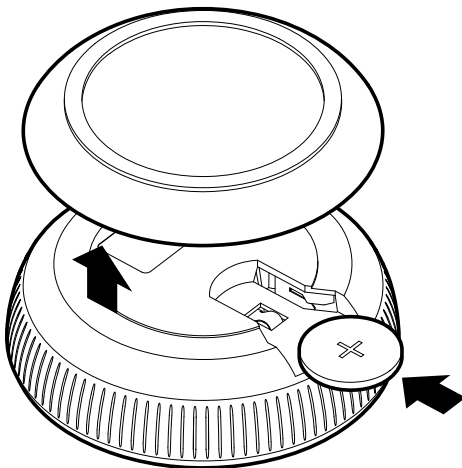
*El R7 pesa bastante y una manipulación inadecuada puede causar daños o lesiones personales.*

---

# Primeros pasos

## 1 Colocar la batería del mando a distancia

Retire con cuidado la base metálica magnética y con el mando a distancia boca abajo, introduzca la pila (tipo CR2032) en la ranura, comprobando que el lado plano con la indicación + esté orientado hacia arriba. Vuelva a colocar la base metálica.



---

*Tenga en cuenta que puede que el mando a distancia no funcione hasta que se enlace con el sistema principal (ver paso 6).*

---

## 2 Conectar la antena

Coloque o la antena de cable o la telescópica a la toma de antena DAB/FM en la parte trasera de su R7 y apriétela con suavidad con la ayuda de la llave incluida. Utilice la antena que mejor funcione para usted, sin embargo, para una recepción óptima recomendamos utilizar una antena externa instalada por un profesional.

## 3 Conectar a la corriente eléctrica

Introduzca el cable de alimentación en la toma de alimentación en la parte trasera de su sistema de música y, después, conecte el otro extremo a un enchufe.

## 4 Encender

Coloque el interruptor de alimentación en la parte trasera de su sistema de música en la posición ON. Su R7 se encontrará en reposo.

Pulse **STANDBY** en los controles de la carcasa para encender su R7. El logotipo R7 aparecerá en la pantalla.





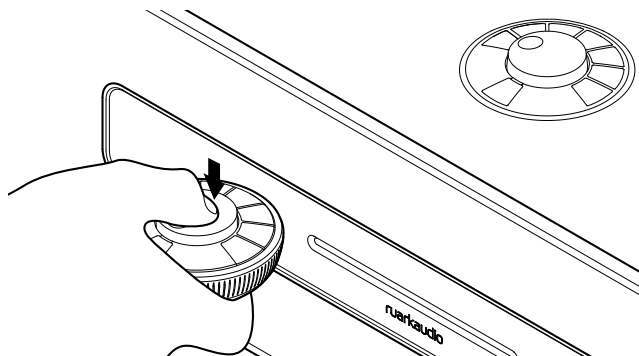
## 5 Seleccionar el idioma

Gire el **MANDO DE CONTROL** hasta resaltar la opción preferida y, después, pulse **SELECT** para seleccionarla.



## 6 Enlazar el mando a distancia

Cuando se le indique enlazar su mando a distancia, sujételo muy cerca de la pantalla y mantener pulsado **SELECT**.

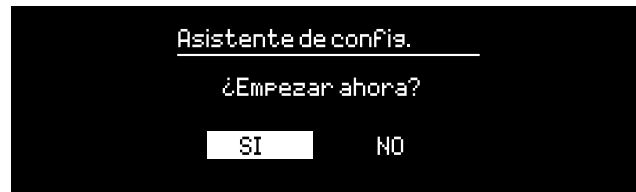


Cuando se enlace el mando a distancia, verá una pantalla de confirmación y el mando a distancia estará listo para usarlo, pulse **SELECT** para continuar.

Lo habitual es que no necesite enlazarlo otra vez, pero en caso de que sea necesario, simplemente sujételo muy cerca de la pantalla y pulse y mantenga cualquier tecla hasta que aparezca el mensaje de confirmación. Puede realizar esta función en cualquier modo.

## 7 Asistente de configuración

Cuando enciende su R7 por primera vez el asistente de configuración le ayudará a configurar el reloj y conectarse a su red.



Para iniciar el asistente de configuración, gire el **MANDO DE CONTROL** para resaltar **SI** y, después, pulse en el mando **SELECT** para seleccionar. Si elige **NO**, su R7 se iniciará sin configurar la hora/fecha y ajustes de red.

## 8 Seleccionar una fuente

Una vez finalizada la configuración, su R7 mostrará un menú con una lista de las fuentes disponibles. Use el **MANDO DE CONTROL** para elegir una fuente y pulse **SELECT**.

## 9 ¡Disfrute de su música!

## Funciones comunes

### Encendido y reposo

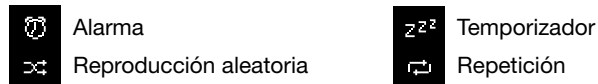
Pulse **STANDBY** para encender el sistema de música. Vuelva a pulsarlo para ponerlo en reposo.

### Pantallas de reproducción

A menos que esté ajustando una configuración, la pantalla tendrá un aspecto similar al ejemplo a continuación, con el reloj en la parte superior y la información sobre la emisora/pista/álbum/artista en la parte inferior.

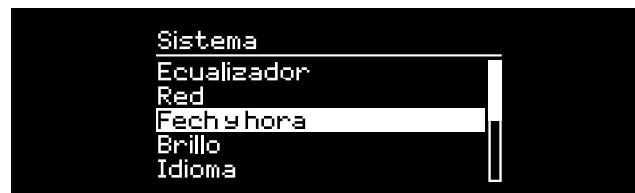


Los iconos que se muestran a continuación aparecen en pantalla cuando sus respectivas funciones están activas.



## Pantallas de menús

Los menús permiten elegir las distintas opciones, como ajustar los graves y agudos. Para modificar un ajuste, pulse **MENU** para mostrar la lista de opciones disponibles, gire el **MANDO DE CONTROL** para resaltar el que desea y, después, pulse el mando para confirmar su selección.



### Explorar los menús, listas de pistas y emisoras

Para modificar los ajustes – pulse **MENU**

Para recorrer las opciones – gire el **MANDO DE CONTROL**

Para seleccionar una opción – pulse el **MANDO DE CONTROL**

Para salir del menú – pulse **MENU** o espere algunos segundos

Para regresar a la lista/menú anterior – pulse **BACK**

---

*La duración de la pulsación de las teclas es importante  
Pulsar = tocar o pulsar y soltar de inmediato  
Mantener pulsado = pulsar y soltar dos segundos después*

---

## Ajustar el volumen

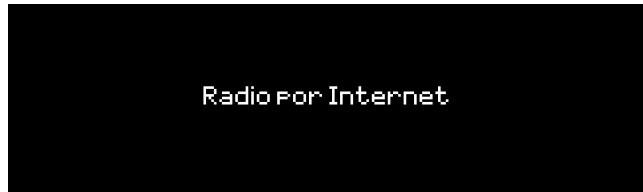
Gire el **MANDO DE CONTROL** desde cualquier pantalla de reproducción.

El volumen de los altavoces y el volumen de los auriculares se ajustan por separado. Así, al conectar los auriculares el volumen se muestra como *Vol Auriculares*.

NOTA: si gira el **MANDO DE CONTROL** cuando se muestra un menú o lista de emisoras, recorrerá el menú y no cambiará el volumen.

## Cambiar la fuente de audio

Pulse **SOURCE** para ver la fuente actual, gire el **MANDO DE CONTROL** para recorrer la lista de fuentes y, después, pulse el mando para seleccionar una fuente. (También puede pulsar **SOURCE** varias veces para recorrer la lista de fuentes en vez de girar el mando).

A black rectangular box with the text "Radio for Internet" centered in a white, monospaced font.

## Multisala

Este dispositivo es completamente compatible con Ruark Audio multi-room y le ofrece la posibilidad de transmitir música de una sala a otra de manera fluida. Consulte el apartado «Multisala» para obtener más información.

## Pausar la pista o silenciar la radio

Pulse **▶||** y, después, vuelva a pulsar para reanudar la escucha.

## Reproducir la pista siguiente/anterior

Pulse **▶▶** para avanzar a la siguiente pista en la carpeta o álbum, pulse **◀◀** para retroceder al inicio de la pista actual, vuelva a pulsar para retroceder a la pista anterior.

## Avance o retroceso rápido

Mantener pulsado **▶▶** o **◀◀** (puede no funcionar con Bluetooth).

## Cambiar la emisora de radio FM

Pulse **▶▶** o **◀◀** para buscar la emisora siguiente o la anterior. Consulte el apartado «FM» para obtener más información.

## Cambiar la emisora de radio DAB

Pulse **▶▶** o **◀◀** para sintonizar la emisora anterior o siguiente.

También puede ver la lista de emisoras seleccionando **MENU > Lista de emisoras**.

Consulte el apartado «DAB» para obtener más información.

## Cambiar la información sobre la emisora o pista

Cambie la información sobre la emisora/pista mostrada seleccionando una de las opciones en **MENU > Info**.

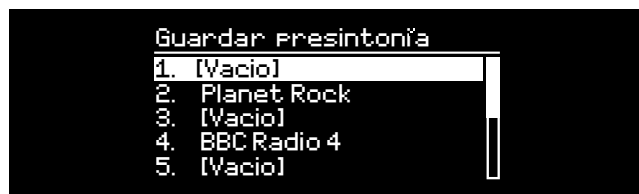
---

Para regresar al nivel del menú o lista de emisoras anterior, pulse **BACK**

---

## Guardar una presintonía de radio

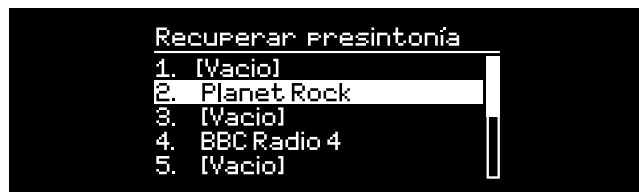
Mantenga pulsado **PRESET** hasta que se muestre «*Guardar presintonía*», gire el **MANDO DE CONTROL** para elegir el número de presintonía, y después pulse el mando para guardar la emisora actual. Las emisoras aparecen marcadas con el nombre de la emisora, la frecuencia o como «[Vacio]».



Si guarda una emisora sobre una presintonía existente, la nueva emisora sustituirá a la anterior.

## Recuperar una presintonía de radio

Pulse **PRESET**, gire el **MANDO DE CONTROL** para recorrer la lista de emisoras preseleccionadas y, después, pulse el mando para seleccionar una emisora.



## Conectar un dispositivo Bluetooth

Si cambia la fuente a Bluetooth, su R7 intentará automáticamente conectarse al último dispositivo que se ha conectado. Si todavía no ha enlazado su dispositivo o si el dispositivo anterior no está disponible, su R7 pasará al modo de enlace. Consulte el apartado «Bluetooth» para obtener más información.

## Auriculares

Conecte los auriculares al conector jack estéreo de 3,5 mm en la parte delantera de su R7.

El volumen de los auriculares se ajusta de forma independiente del volumen de los altavoces, de modo que cuando se conectan los auriculares el volumen se muestra como *Vol Auriculares*.

## Carga USB

El puerto USB de su R7 suministra 5 W (5 V 1,0 A) y permite alimentar la mayoría de los dispositivos inteligentes y accesorios que reciben la alimentación a través de un puerto USB.

---

Tenga en cuenta que: **MENU > Sistema > Ecualizador** significa que debe pulsar **MENU**, seleccionar **Sistema** y finalmente elegir **Ecualizador**

---

# Ajustes del sistema

## Graves, agudos y sub

### **MENU > Sistema > Ecualizador > Grave, Agudo, Nivel sub**

Ajuste los niveles de graves y agudos usando el **MANDO DE CONTROL** y, después, púselo para guardar el ajuste.

## Refuerzo

La función de refuerzo aumenta automáticamente las frecuencias graves y agudas a volúmenes bajos.

### **MENU > Sistema > Ecualizador > Refuerzo**

## Sonido 3D

3D amplía la escena sonora estéreo y crea un sonido más inmersivo y envolvente.

### **MENU > Sistema > Ecualizador > 3D**

## Fecha y hora

### **MENU > Sistema > Fecha y hora**

La fecha y la hora se sincronizan automáticamente con la emisión de señales horarias nacionales a través de DAB, red y FM (la sincronización de hora FM puede que no siempre esté disponible).

También puede ajustar la hora manualmente desactivando el ajuste automático y cambiando el formato de fecha y hora.

## Brillo de la pantalla

### **MENU > Sistema > Brillo**

Ajuste de forma independiente el brillo de la pantalla cuando su R7 está encendida y en reposo.

Cuando ajusta el brillo a 0 la pantalla se apagará automáticamente tras unos segundos. La pantalla se iluminará durante un instante siempre que pulse cualquier tecla.

También puede ajustar el brillo en reposo cuando su R7 está en reposo si pulsa ►► o ◀◀.

## Idioma

### **MENU > Sistema > Idioma**

Cambiar el idioma del menú.

## Actualizar el software

### **MENU > Sistema > Actualizar software**

Su R7 está configurado para buscar actualizaciones de software de manera automática. Si hay alguna disponible, se le preguntará si desea descargarla e instalarla.

**ADVERTENCIA:** Si desconecta la alimentación durante una actualización del software, su R7 podría sufrir daños permanentes.

## Restablecer los ajustes de fábrica

### **MENU > Sistema > Ajustes de fábrica**

Restablece todos los ajustes y borra todas las presintonías.

---

*Los ajustes guardados se marcan con un asterisco (\*)*

---

## Asistente de configuración

### **MENU > Sistema > Asistente de config.**

Ejecute el asistente de configuración para ayudarle a configurar el reloj y la red.

## Reposo inactivo

Su R7 está configurado para ponerse en reposo automáticamente si no hay sonido durante más de 20 minutos. Para cambiar esto, seleccione **MENU > Sistema > Reposo inactivo**.

## Asistente de red

Para obtener instrucciones paso a paso para ayudarle a conectarse a una red, seleccione **MENU > Sistema > Red > Asistente de red**.

## Perfiles de red

Su R7 intentará conectarse automáticamente a cualquier red a la que se haya conectado previamente.

Para ver la lista de redes almacenadas, seleccione **MENU > Sistema > Red > Perfil de red**. Para eliminar una red no deseada, resáltela, pulse el **MANDO DE CONTROL** y seleccione *SI*.

## Mantener red conectada

### **MENU > Sistema > Red > Mantener conectada**

Seleccione si desea que su R7 permanezca siempre conectado a su red, incluso en reposo (predeterminado). Le recomendamos elegir *Mantener conectada* ya que así se asegurará de que su R7 está siempre accesible

usando Spotify o transmisión de música DLNA. También recomendamos esto si ha ajustado el reloj para ajustarse desde la red.

## Información del sistema

Muestra detalles de su R7, como la versión de software, el código ID de radio exclusivo y el nombre de equipo.

## Ajustes de red avanzados

Hay otros ajustes de red avanzados para usuarios con experiencia en la configuración o diagnóstico manual y la resolución de problemas de red.

## Nombre de equipo

El nombre de equipo es como se muestra su R7 en las redes, Spotify y Bluetooth. Puede cambiarlo por algo más descriptivo, como «R7 de Archie» o «R7 del salón».

Puede ver el estado de su R7 y cambiar su nombre de equipo abriendo su página web en un navegador. En Windows, su R7 se mostrará normalmente como un dispositivo de medios. Al hacer doble clic en el icono se abrirá la página de configuración en su navegador. Para obtener más información, visite [www.ruarkaudio.com/support](http://www.ruarkaudio.com/support)

## Radio FM

Cuando esté escuchando la radio FM, su R7 mostrará el nombre de la emisora y otra información de programa RDS/RBDS\* cuando esté disponible.

\*Radio Data System/Radio Broadcast Data System



### Cambiar emisora

Pulse ►► o ◀◀ para sintonizar automáticamente la siguiente emisora FM disponible. Si RDS/RBDS no está disponible, se muestra la frecuencia en su lugar.



### Ajustes de búsqueda

Puede modificar el ajuste de la búsqueda para que solamente se detenga en las emisoras con una señal potente seleccionando **Menu > Configurar búsqueda > ¿Sólo emisoras pot?**

## Información de programa

Seleccione entre radiotexto, tipo de programa, frecuencia, potencia de señal y fecha seleccionando **MENU > Info**.

### Sintonización manual

Seleccione **MENU > Sintonización manual** y, después, gire el **MANDO DE CONTROL** o pulse ►► o ◀◀ para cambiar la frecuencia.

### Guardar presintonía

Puede guardar 10 emisoras FM en la lista de presintonías. El nombre de la emisora solamente se almacenará cuando RDS/RBDS esté disponible. Ver la sección 'Funciones comunes'.

### Recuperar presintonía

Ver la sección 'Funciones comunes'.

### Forzar mono

Si la señal FM pierde potencia, el nivel de siseo aumentará. Para reducirlo seleccione **Menu > Mono**.

---

*Si desea reducir el siseo aún más en las emisoras FM con menos señal recomendamos apagar el sonido 3D*

---

## Radio DAB

Cuando esté escuchando la radio DAB/DAB+, su R7 mostrará el nombre de la emisora y otra información de programa DLS\* cuando esté disponible.

La primera vez que utilice su R7 o si la lista de emisoras está vacía, realizará una búsqueda completa automáticamente para identificar las emisoras disponibles.

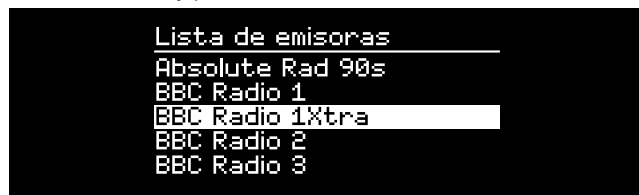
\**Dynamic Label Segment*

### Cambiar emisora

Pulse ►► o ◀◀ para sintonizar la emisora anterior/siguiente.

### Lista de emisoras

Para ver una lista de emisoras DAB disponibles, seleccione **MENU > Station list** o pulse ►► o ◀◀. Resalte la emisora que desea escuchar y pulse **SELECT**.



### Información de programa

Seleccione entre radiotexto, tipo de programa, potencia de señal, formato de la señal y fecha seleccionando **MENU > Info**.

## Guardar presintonía

Puede almacenar 10 emisoras DAB en su lista de presintonías. Ver la sección «Funciones comunes».

## Recuperar presintonía

Ver la sección «Funciones comunes».

## Servicios secundarios

Algunas emisoras de radio DAB tienen una o más emisoras secundarias relacionadas con ellas. Si hay una emisora secundaria disponible, se muestra '>>' después del nombre de la emisora actual en la lista de emisoras.

Las emisoras secundarias se indican con '<<' delante del nombre de la emisora.

## Orden de emisoras

La lista de emisoras DAB puede ordenarse por *Alfabético*, *Ensemble* o *Validas*. *Alfabético* pone las emisoras en orden alfabético, *Ensemble* agrupa las emisoras del mismo radiodifusor, y *Validas* muestra primero las emisoras disponibles y pone al final las emisoras no válidas (marcadas con '?').

Para cambiar el orden de las emisoras, seleccione **Menu > Station order** y seleccione **Alfabético** (predeterminado), **Ensemble** o **Validas**.

---

*Las emisoras no válidas tienen '?' delante del nombre de la emisora.*

---



## Búsqueda de emisoras

Si la lista de emisoras está vacía, la radio realizará automáticamente una búsqueda completa en cuanto pase al modo DAB.

En cualquier caso, se recomienda realizar una búsqueda completa de vez en cuando para actualizar la lista de emisoras porque:

- En ocasiones hay nuevas emisoras disponibles
- Las emisoras cierran o dejan de recibirse
- La recepción no era buena durante la búsqueda original (por ejemplo, la antena no estaba instalada correctamente)
- Mueve la radio a un lugar diferente

Para realizar una búsqueda completa, seleccione **MENU > Búsqueda**.

## Eliminar emisoras no válidas o poco potentes

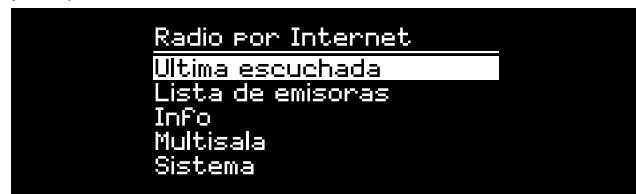
Las emisoras débiles (entrecortadas) o no válidas tienen '?' delante del nombre de la emisora y se pueden eliminar al seleccionar **MENU > Eliminar no válidas**.

## Radio por Internet

Su R7 puede reproducir miles de emisoras de radio por internet y podcasts de todo el mundo (se requiere conexión a internet).

### Menú principal

La primera vez que escuche la radio por internet verá el menú principal de este modo.



Si ha escuchado antes emisoras de radio por internet en su R7, se reproducirá automáticamente la última emisora que escuchó.

### Última emisoras escuchadas

Para acceder a una lista de emisoras escuchadas recientemente, seleccione **MENU > Últimas escuchadas**.

Cuando utilice su R7 por primera vez, la lista estará vacía.

### Lista de emisoras

Puede recorrer o buscar en toda la lista de emisoras seleccionando **MENU > Lista de emisoras** y seleccionando entre las distintas opciones, como género, lugar y popularidad.

## Información de reproducción

El nombre de la emisora se muestra junto a información adicional, como el nombre del artista y la pista. Para modificar lo que se muestra, seleccione **MENU > Info** y elija entre radiotexto, género, calidad de la señal, nombre de pista, lugar y fecha.

## Buscar una emisora

Busque una emisora seleccionando **MENU > Lista de emisoras > Estaciones > Buscar estaciones** y, después, escriba el nombre de la emisora que busca.

## Podcasts

Muchas emisoras tienen podcasts asociados que puede explorar y buscar igual que las emisoras de radio por internet.

## Silenciar

Pulse **▶||** para silenciar y, después, vuelva a pulsar para reanudar la escucha.

## Guardar una presintonía

Puede almacenar 10 emisoras de radio por internet en su lista de presintonías. Ver la sección «Funciones comunes».

## Recuperar una presintonía

Ver la sección «Funciones comunes».

## Portal de radio Ruark

Además de presintonías, la *Internet radio* tiene otras dos formas de almacenar y organizar sus emisoras de radio favoritas usando el portal de radio Ruark en línea.

Visite [www.ruarkaudio.com/radiportal](http://www.ruarkaudio.com/radiportal) para obtener más información.

Necesitará el código de acceso al portal exclusivo de su radio, de modo que anótelos seleccionando **Menu > Lista de emisoras > Ayuda > Solicitar código de acceso**.

## Mis favoritos

Es similar a guardar presintonías, excepto que las emisoras se almacenan en línea, en el portal de radio Ruark. Esto significa que sus emisoras favoritas guardadas están accesibles desde cualquier producto de radio por internet Ruark registrado en la misma cuenta.

Para guardar una emisora como favorita, mantenga pulsado el **MANDO DE CONTROL** hasta que se muestre *Favorito añadido*. Esto solo está disponible si ha registrado su R7 en el portal de radio.

## Mis emisoras añadidas

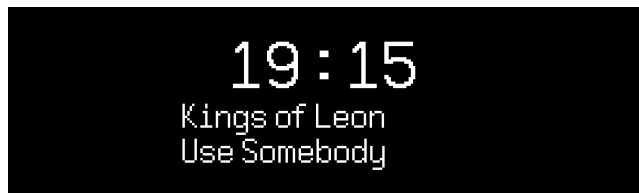
Puede añadir manualmente emisoras que no están ya incluidas visitando el portal de radio Ruark online. Las emisoras añadidas de este modo son accesibles seleccionando **MENU > Lista de emisoras > Favoritos**.

## Reproductor de CD

Para insertar un CD, introdúzcalo con suavidad en la ranura para CD. Una vez cargado, se reproducirá automáticamente.

### Información de reproducción

Normalmente indica el número y duración de pista en los CD de audio y el nombre de pista y álbum en los CD MP3.



Para cambiar la visualización, seleccione **MENU > Info** y elija entre información del álbum y artista, barra de progreso o nombre de archivo (las opciones varían en función del tipo de CD).

### Reproducción / Pausa

Pulse **▶||** para reproducir o pausar una pista

### Detener la reproducción

Pulsación larga en **▶||**

### Omitir una pista

Pulse **▶▶|** o **|◀◀** para avanzar a la pista siguiente o anterior

### Avance o retroceso rápido

Mantenga pulsado **▶▶|** o **|◀◀** para avance o retroceso rápido

### Expulsar

Pulse el botón de expulsar situado junto a la ranura para CD

### Reproducción aleatoria

Para reproducir las pistas en orden aleatorio, seleccione

**MENU > Aleatoria > Activada**

### Repetición

Para repetir una pista o todas las pistas, seleccione

**MENU > Repetida > Una o Todo**

ES

---

*Se ignorará la estructura de carpetas de los discos MP3/WMA/AAC y las pistas se mostrarán en una sola lista*

*No es posible reproducir archivos WMA y AAC con protección de derechos*

---

# Bluetooth

Su R7 admite aptX para transmisión de calidad de CD y aptX HD para transmisión de alta resolución a 24 bits. Se conectará de manera automática a su dispositivo Bluetooth empleando la conexión de la más alta calidad que admita su dispositivo.

## Enlace de su dispositivo Bluetooth

Cuando haya cambiado la fuente a Bluetooth, espere hasta que se muestre *Esperando de conexión...* y parpadee la luz indicadora en la parte superior.

Utilice la configuración de Bluetooth en su dispositivo inteligente para enlazarlo y conectarlo con su R7.. Aparecerá en la lista de dispositivos enlazados como *Ruark R7\**. Una vez conectado, se muestra *BT Conectado + nombre de su dispositivo* (por ejemplo, teléfono de Archie).

El R7 puede tardar algunos segundos en aparecer en la lista de su dispositivo y, en algunos casos, tendrá que introducir «0000» como contraseña de enlace.

Si no se conecta en unos minutos, su R7 dejará de intentar establecer la conexión y mostrará *sin conexión*. Para conectar, seleccione **MENU > Conecte dispositivo**.

## Conectar su dispositivo Bluetooth

En cuanto cambie a Bluetooth, su R7 mostrará *Conecta...* mientras intenta conectarse al último dispositivo con el que fue enlazado.

Si el dispositivo no está disponible, muestra *Esperando de conexión...* Para conectarlo al R7, compruebe que la función

Bluetooth esté activada en su dispositivo y seleccione *Ruark R7\** en la lista de dispositivos enlazados de su dispositivo Bluetooth.

## Nombre de equipo

\*Su R7 se mostrará como Ruark R7 en los dispositivos Bluetooth, aunque puede cambiar este nombre por otro más descriptivo, como «R7 de Archie» o «R7 del salón». Ver los «Ajustes del sistema».

## Reproducir sonido

Una vez conectado, el sonido de su dispositivo Bluetooth se reproducirá a través de su R7. Para obtener más información sobre la reproducción de sonido desde su dispositivo Bluetooth, consulte la documentación de su dispositivo.

NOTA: es posible que deba seleccionar el Ruark R7 o Bluetooth como salida de audio en su dispositivo.

## Pausar pista

Pulse **▶||** y, después, vuelva a pulsar para reproducir.

## Reproducir la pista siguiente/anterior

Pulse **▶▶** para avanzar a la siguiente pista en la carpeta o álbum, pulse **◀◀** para retroceder al inicio de la pista actual, vuelva a pulsar para retroceder a la pista anterior.

## Ajustar el volumen

Recomendamos que ajuste el volumen de su dispositivo Bluetooth de forma que el volumen de reproducción sea similar al de otras fuentes. Puede utilizar el control de volumen en el R7 para ajustar el volumen de reproducción general.

## Información de reproducción

El nombre del artista, álbum y pista se mostrarán si su dispositivo Bluetooth admite metadatos Bluetooth. También puede mostrar el nombre del dispositivo conectado. Seleccione lo que se muestra desde **MENU > Info**.

## Alcance operativo

Normalmente es de hasta 10 metros (30 pies) desde su R7, aunque los obstáculos, como paredes, pueden reducirlo.

## Desconectar el dispositivo actual

Para desconectar el dispositivo actual y conectar uno nuevo, seleccione **MENU > Conecte dispositivo**.

## Enlazar dispositivos adicionales

Es posible enlazar hasta 7 dispositivos, aunque solo es posible reproducir audio desde un dispositivo simultáneamente.

## Borrar la lista de dispositivos enlazados

Si tiene problemas para conectar su dispositivo Bluetooth, le recomendamos borrar toda la información de enlace. Para ello, seleccione **MENU > Borrar dispositivos**.

También deberá borrar el *Ruark R7* de la lista de dispositivos enlazados de su dispositivo Bluetooth antes de volver a enlazarlo con el R7. Para obtener más información, visite [www.ruarkaudio.com/support](http://www.ruarkaudio.com/support)

---

*No se puede utilizar la función Bluetooth del R7 para conectarlo a auriculares Bluetooth*

---

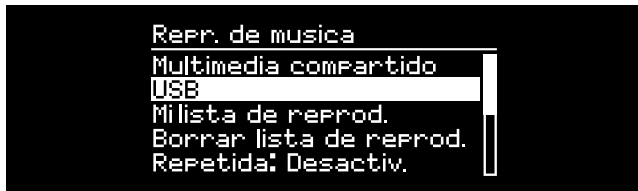
# Reproductor de música

Reproductor de música le permite reproducir archivos de audio almacenados en un ordenador en su red, desde una unidad de memoria USB o disco duro portátil.

## Reproductor de música USB

Para reproducir audio desde un dispositivo de almacenamiento USB (debe estar en formato FAT32), como una unidad flash o un disco duro USB, conéctelo al puerto USB en la parte posterior de su R7.

Cuando conecte un dispositivo de almacenamiento USB por primera vez, su R7 preguntará automáticamente si desea ver la lista de pistas. En caso contrario, para ver la lista de pistas, seleccione **Music player > USB**.



## Reproductor de música en red

Su R7 es totalmente compatible con DLNA y reproducirá la música almacenada en bibliotecas de medios compartidas por otros dispositivos de su red. Una biblioteca compartida puede estar en un ordenador portátil, teléfono inteligente o tableta, pero también en un servidor musical dedicado, como una unidad NAS (Network Attached Storage).

La mayoría de los ordenadores con Windows ya están configurados como servidores de medios, al igual que la mayoría de unidades NAS y algunos routers también funcionan como servidores de medios. Hay numerosas aplicaciones disponibles para Mac, iOS, Linux, Android, Windows phone, BlackBerry, Symbian, etc. que convertirán su reproductor de MP3, teléfono inteligente o tableta en un servidor de música.

Para reproducir música compartida por dispositivos en su red seleccione **Menu > Multimedia compartido**. Cuando su R7 ha explorado la red en busca de medios compartidos, verá una lista de servidores musicales formada por el nombre del ordenador y el nombre del medio compartido, como *<Ruark-Portátil: Música de Archie>*.

Los menús posteriores a este son generados por el servidor de medios, aunque en la mayoría de los casos encontrará opciones para explorar por género, carpeta, artista, álbum, etc.

Si su R7 no está conectado a una red, intentará conectarse.

Para obtener más información, visite [www.ruarkaudio.com/support](http://www.ruarkaudio.com/support)

---

*No es posible reproducir pistas WMA y AAC protegidas en su R7.*

---

## Explorar y reproducir música

Gire el **MANDO DE CONTROL** para recorrer las listas de pistas y, después, pulse el mando para abrir el álbum/carpeta resaltado o reproducir la pista.

Pulse **BACK** para volver a la pantalla anterior.

## Pausar pista

Pulse **▶||** y, después, vuelva a pulsar para reproducir.

## Omitir una pista

Pulse **▶▶** para avanzar a la siguiente pista en la carpeta o álbum, pulse **◀◀** para retroceder al inicio de la pista actual, vuelva a pulsar para retroceder a la pista anterior.

## Avance o retroceso rápido

Mantenga pulsado **▶▶** o **◀◀** para avance o retroceso rápido.

## Reproducción aleatoria

Para reproducir las pistas en orden aleatorio, seleccione **MENU > Aleatoria** y pulse el **MANDO DE CONTROL** para activar o desactivar la reproducción aleatoria.

NOTA: podría no ser posible utilizar esta función si la carpeta contiene un gran número de pistas.

## Repetición

Para repetir una sola pista o todas las pistas en la carpeta actual, seleccione **MENU > Repetida** y pulse el **MANDO DE CONTROL** para activar y desactivar la repetición.

## Mi lista de reproducción

Puede crear su propia lista de reproducción y añadir hasta 500 pistas. Puede ser una combinación de pistas de cualquier servidor de medios disponible y un dispositivo USB conectado. Para gestionar la lista de reproducción, seleccione **Menu > Mi lista de reprod.**

Para añadir una pista o carpeta a la lista de reproducción, resáltela y, después, mantenga pulsado el **MANDO DE CONTROL** durante dos segundos.

Para eliminar una pista de la lista de reproducción, resalte la pista en Mi lista de reproducción y, después, mantenga pulsado el **MANDO DE CONTROL** durante dos segundos.

Tenga en cuenta que su lista de reproducción se almacenará siempre que su R7 esté encendido o en reposo, pero se eliminará si lo apaga.

## Información de reproducción

Normalmente, el nombre de la pista se muestra con información adicional debajo. Para cambiar la visualización, seleccione **MENU > Info** y elija entre información del álbum y artista, mostrar la barra de progreso o el formato de datos.

## Limpiar servidores

Su R7 almacenará automáticamente el nombre de los servidores de medios a los que se haya conectado y que no estén disponibles actualmente se muestran con un signo de interrogación delante del nombre, como «*?Portátil-Casa*». Puede eliminarlos de la lista seleccionando **MENU > Limpiar servidores > SI**.

## Transmisión de medios DLNA

También puede transmitir audio a su R7 desde un servidor de medios compatible con DLNA (Digital Living Network Alliance). Ahora podrá explorar la música del servidor y reproducirla mediante su R7. Hay numerosas aplicaciones disponibles para Mac, iOS, Linux, Android, Windows phone, etc. que convertirán su teléfono inteligente, tableta o portátil en un servidor de medios DLNA. Windows Media Player incluso tiene una función de «Reproducir en» integrada que le permite transmitir la música almacenada en su ordenador directamente a su R7.

Con la transmisión de medios DLNA, su R7 funciona como un reproductor digital multimedia (DMR) que permite explorar la música de su teléfono inteligente o portátil y, después, transmitirla hasta su R7 a través de la red.

Su R7 cambiará automáticamente al modo DMR cuando seleccione su R7\* como su reproductor elegido. El modo DMR no puede seleccionarse mediante la tecla **SOURCE**.

Del mismo modo, toda la información de la pantalla de reproducción será controlada por el servidor, por lo que no hay ajustes que pueda cambiar.

Para obtener más detalles, consulte la documentación de su dispositivo o aplicación o visite [www.ruarkaudio.com/support](http://www.ruarkaudio.com/support).

---

*La transmisión de medios DLNA requiere que su R7 esté conectado a su red, por lo que recomendamos que lo ajuste para mantener red conectada. Ver la sección ajustes del sistema.*

---



## Servicios de transmisión de música

Su R7 es compatible con los servicios de transmisión de música que se muestran a continuación.

### Spotify Connect

Usa tu teléfono, tu tablet o tu computadora como control remoto de Spotify. Para más información, entra a [spotify.com/connect](https://spotify.com/connect).

### Amazon Music

Para más información visite [www.amazon.com](https://www.amazon.com)

### Deezer

Para más información visite [dizr.fm/airable](https://dizr.fm/airable)

### TIDAL

Para más información visite [tidal.com](https://tidal.com)

Tenga en cuenta que la alta calidad TIDAL no se admite en el modo de varias habitaciones. Para escuchar TIDAL en modo multisala, cambie la calidad de audio a normal usando la aplicación Ruark Link.

La gama de los servicios de música compatibles puede cambiar sin previo aviso.



## Entradas de línea y ópticas

Puede escuchar audio desde una fuente analógica externa al conectarla a Entrada de línea 1 o 2 o una fuente digital al conectarla a Entrada óptica 1 o 2.

## Entrada phono

Su R7 incluye un preamplificador de alta fidelidad de entrada phono para su uso con un tocadiscos con sistema de imán móvil (MM).

No está diseñado para tocadiscos tipo bobina móvil.

Recomendamos utilizar cables phono de alta calidad para conectar un tocadiscos a su R7.

## Ajuste del nivel de entrada

Para una ejecución de audio óptima recomendamos que equilibre el nivel de volumen de un dispositivo externo (por ejemplo, un reproductor de música portátil o tocadiscos) para que su volumen sea aproximadamente el mismo que de las fuentes incorporadas como CD o USB.

Si el volumen es bajo aumente el volumen de entrada.

---

Recomendamos equilibrar el nivel de volumen de los dispositivos externos al ajustar los niveles de entrada para una ejecución de audio óptima

---

Si el volumen es más alto o distorsionado, reduzca el volumen de entrada.

Puede ajustar el volumen de entrada al seleccionar **MENU > Nivel de entrada** y elegir el volumen deseado.

-3 dB es el nivel más bajo y es adecuado para dispositivos de audio con salidas de alto nivel (2 Vrms) como un reproductor CD externo.

+6 dB es el nivel predeterminado y es adecuado para la mayoría de los dispositivos.

### Niveles de entradas en línea

Incluyen ajustes de ganancia superior (hasta +24 dB) puesto que el nivel de salida de auriculares o algunos dispositivos móviles puede ser bastante bajo.

### Nivel de entrada de phono

Están diseñados para funcionar con los tocadiscos más comunes de imán móvil (MM). Por favor, compruebe la especificación de su tocadiscos y seleccione el ajuste más apropiado.

- 3 dB (6-8 mV)

0 dB (4-6 mV)

+3 dB (3-4 mV)

+6 dB (2-3 mV)

Si su fuente de audio externa tiene un control de volumen, tal vez también deba ajustarlo.

## Lazos de tierra

(Eliminar ruidos y zumbidos)

En algunas circunstancias puede que escuche ruidos o zumbidos al conectar con una fuente de audio externa a través de la Entrada en línea o Phono, por ejemplo, cuando reproduce desde un dispositivo que utiliza una toma de corriente externa o a través del puerto USB de su R7.

Por desgracia, este problema es relativamente común y no siempre tiene fácil solución. No obstante, su R7 incluye dos funciones que deberían ayudar con este problema.

### Cambie entre la Entrada en línea 1 y 2.

Entrada en línea 2 está aislada de tierra y la 1 no, por tanto deberá encontrar una entrada que sea más silenciosa que la otra.

### Utilice el terminal a tierra en el panel trasero

En caso de que esto no funcione o está utilizando una entrada Phono, pruebe conectar su dispositivo externo a terminal a tierra en la parte trasera de su R7.

Para obtener más información, visite [www.ruarkaudio.com/support](http://www.ruarkaudio.com/support)

---

### IMPORTANTE

**Retire el cable de alimentación de su R7 antes de conectarlo a su terminal a tierra. Si no está seguro de cómo conectar a tierra su dispositivo externo al R7 solicite ayuda.**

---

## Multisala

Este dispositivo es completamente compatible con Ruark Audio multi-room y le ofrece la posibilidad de transmitir música de una sala a otra de manera fluida.

En primer lugar debe crear un grupo de hasta 6 dispositivos que reproducirán el mismo audio sincronizado. Una vez creado el grupo se pueden añadir más dispositivos.

Seleccione **MENU > Multi-room > Crear nuevo grupo** para crear un grupo. Introduzca un nombre para el grupo y seleccione OK. Seleccione hasta 5 dispositivos de la lista de otros dispositivos disponibles encontrados en su red para unirse al grupo y después pulse **MENU** para confirmar su selección y salga. Todos los dispositivos del grupo ahora reproducirán el audio de manera sincronizada.

Seleccione **MENU > Multisala > Añadir al grupo** para añadir dispositivos al grupo actual.

Seleccione **MENU > Multisala > Eliminar de grupo** para eliminar otros dispositivos del grupo actual.

Seleccione **MENU > Multisala > Salir del grupo** para eliminar el dispositivo actual del grupo.

Seleccione **MENU > Multisala > Eliminar grupo** para eliminar el grupo actual. El grupo se eliminará y la reproducción multisala se detendrá.

También puede configurar y controlar la reproducción multisala a través de la aplicación Ruark Audio Link.

Para obtener más información, visite [www.ruarkaudio.com/support](http://www.ruarkaudio.com/support)

## Control a través de aplicación

También puede configurar su R7 y controlar la reproducción multisala a través de la aplicación Ruark Audio Link. Puede encontrarla en la tienda de aplicaciones Apple/Android.

Para obtener más información, visite [www.ruarkaudio.com/support](http://www.ruarkaudio.com/support)

### PIN de acceso a la aplicación

Defina un número PIN para limitar el acceso a su R7 de forma que solo los usuarios autorizados puedan controlarlo desde la aplicación Ruark Audio Link.

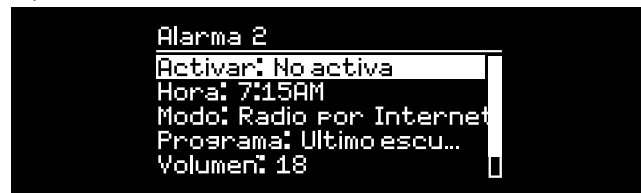
**MENU > Sistema > Red > PIN de acceso.**

## Alarmas, aplazar y temporizador

### Ajustar una alarma

Una alarma activa se indica mediante el icono de alarma y cuando suena, el icono parpadea.

Seleccione **MENU > Sistema > Fecha y hora > Alarmas** y elija alarma 1 o alarma 2 con el **MANDO DE CONTROL**.



Seleccione cuándo sonará la alarma (desactivada, diaria, una vez, fines de semana o entre semana), ajuste la hora y, después, elija si la alarma hará sonar una emisora de radio, CD o un tono y, por último, seleccione el volumen. Por último, seleccione *save* para guardar la alarma y salga del menú de configuración.

NOTA: no es posible usar una fuente Bluetooth, USB o un servidor de música en red para la alarma.

### Aplazamiento

Pulse el **MANDO DE CONTROL** para silenciar una alarma temporalmente y vuelva a pulsarlo para aumentar el periodo de aplazamiento (*5, 10, 15 o 30 minutos*).

Para cancelar una alarma que esté sonando o aplazada, mantenga pulsado el **MANDO DE CONTROL** durante dos segundos.

### Temporizador

Para ajustar el tiempo tras el que su R7 se pondrá en reposo automáticamente, seleccione **MENU > Sistema > Fecha y hora > Temporizador**.

Elija el tiempo de aplazamiento en minutos (Apagado, 15, 30, 45, 60) y, finalmente, pulse el mando para confirmar su selección. A continuación, la pantalla se oscurece, regresa a la pantalla de reproducción y muestra el icono de temporizador.

# Especificaciones

## Amplificadores y altavoces

Dos conos concéntricos de 5,5”  
Un subwoofer de largo recorrido de 8”  
Amplificador de potencia clase AB diferenciado de 180W  
Preamplificador de phono MM integrado  
Audio procesador digital 3D mejorado

## Sintonizador

Sintonizador DAB, DAB+ y FM con RDS  
Entrada de antena DAB/FM tipo F de 75 ohmios

## Reproductor de CD

Discos CD, CD-ROM, CD-R/RW  
MP3 y WMA hasta 320 kbit/s

## Audio digital

DAC audio estéreo a 32 bits y 112 dB audiófilo  
Radio por internet, Spotify Connect, UPnP™ DLNA  
802.11b/g Wi-Fi admite seguridad WEP, WPA y WPA2  
MP3, WMA, AAC, FLAC, WAV  
SBC, AAC, A2DP, aptX, aptX HD Bluetooth

## Entradas y salidas

Una entrada phono MM (RCA)  
Dos digital ópticas (TOSLINK)  
Dos entradas en línea (RCA)  
Una salida en línea (RCA)  
Ethernet (RJ45)  
USB 5W (5 V 1 A)  
Salida de auriculares estéreo de 3,5mm

## Alimentación

Entrada de alimentación: 100-120/200-240V de CA a 50-60Hz  
Fusible: 250 V T 6,3 A  
Consumo nominal: 25W  
Consumo en reposo: 1W

## Dimensiones físicas

Dimensiones sin patas:  
165 × 1000 × 400 mm (alto x ancho x fondo)  
[6,9” x 39,4” x 15,7” (alto x ancho x fondo)]  
Peso (con patas): 27,8 kg (61,3 lbs)

Las especificaciones y el diseño están sujetas a modificaciones sin previo aviso.  
Certificación digital obtenida a través de la antena dipolo de cable suministrada.

# Información normativa y de seguridad

- Lea este manual de usuario y siga todas las instrucciones, le ayudará a configurar y utilizar su producto correctamente.
- Respete todas las advertencias y conserve este manual para futuras referencias.
- No intente utilizar un dispositivo dañado, ya que podría provocar una descarga eléctrica peligrosa.
- No abra la unidad ni desmonte ningún panel para acceder a los componentes electrónicos. No hay piezas útiles para el usuario en el interior.
- Confíe todas las tareas de mantenimiento al personal cualificado. Se requiere mantenimiento cuando el dispositivo ha sufrido cualquier tipo de daños, por ejemplo si el cable de alimentación o el enchufe están dañados, si se ha derramado líquido o si han caído objetos dentro del dispositivo, si ha estado expuesto a la lluvia o humedad, si no funciona correctamente o si se ha dejado caer.
- Este dispositivo está diseñado para funcionar SOLAMENTE con los voltajes de CA que se indican en el panel trasero o la fuente de alimentación incluida. El funcionamiento con voltajes diferentes de los indicados podría causar daños irreversibles al dispositivo y anular la garantía del producto.
- Asegúrese de que es posible acceder fácilmente al enchufe o conector de alimentación de la unidad en caso de que sea necesario desconectarla de la corriente.
- El adaptador de corriente, la toma o conector eléctrico deben retirarse del enchufe para desconectar por completo el sistema de la corriente.
- No coloque fuentes de llama expuestas, como velas encendidas, ni sobre ni cerca del dispositivo. No lo instale cerca de fuentes de calor, como radiadores, estufas u otros dispositivos (como amplificadores) que produzcan calor.
- Evite exponerlo a calor o frío extremos.
- Utilice solamente componentes/accesorios especificados para este dispositivo. No realice ninguna modificación en el sistema ni los accesorios. Las alteraciones no autorizadas pueden poner en peligro la seguridad, la conformidad normativa y el rendimiento del sistema.
- Utilice solamente la antena incluido o piezas de sustitución homologadas.
- Para reducir el riesgo de incendio o descarga eléctrica, no exponga el dispositivo a la lluvia ni la humedad. No someta este dispositivo a gotas ni salpicaduras, y no coloque objetos llenos de líquidos, como jarrones, encima o cerca del mismo. Como con cualquier otro producto electrónico, tenga cuidado de no derramar líquidos en ninguna parte del sistema. Los líquidos podrían provocar una avería y/o riesgo de incendio.
- Desenchufe este dispositivo en tormentas eléctricas o cuando no se utilice durante largos periodos de tiempo para evitar daños.
- Para evitar el riesgo de incendio o descarga eléctrica, evite sobrecargar los enchufes, cables alargadores o prolongadores.
- Una exposición prolongada a música a alto volumen puede provocar daños auditivos. Es mejor evitar volúmenes extremos cuando se utilicen auriculares, en especial durante periodos prolongados.
- No instale este dispositivo en un espacio reducido. Deje siempre un espacio mínimo de 10 cm alrededor del dispositivo para ventilación y asegúrese de que las aberturas del dispositivo no queden cubiertas por cortinas u otros objetos.



**AVISO DE SEGURIDAD DE LAS PILAS BOTÓN DE LITIO.** El mando a distancia contiene una pila botón de litio que, si se ingiere, puede causar quemaduras químicas. Mantenga las pilas nuevas y usadas fuera del alcance de los niños. Si cree que las pilas se han podido ingerir, busque atención médica de inmediato. No manipule pilas con pérdidas o dañadas. Peligro de explosión en caso de que la pila no esté correctamente colocada. Cambie sólo por el mismo tipo de pila o uno equivalente.



Este dispositivo se ha etiquetado de acuerdo con la Directiva Europea 2012/19/EU relativa a los residuos de aparatos eléctricos y electrónicos. Este símbolo indica que el producto o las pilas asociadas no deben desecharse como residuos domésticos generales. Como cualquier equipo eléctrico, debe desecharse de acuerdo con la normativa local.



INFORMACIÓN DE CONFORMIDAD CE

Este producto cumple todos los requisitos de las directivas europeas vigentes. Puede obtener una copia gratuita de la declaración de conformidad poniéndose en contacto con su establecimiento, distribuidor o con Ruark Audio.

Por la presente, Ruark Audio declara que este dispositivo cumple los requisitos básicos y cualquier otra disposición pertinente a la Directiva Europea 2014/53/EU relativa a la comercialización de equipos radioeléctricos.

Puede descargar el texto completo de la Declaración de Conformidad EC en [www.ruarkaudio.com/doc/R7mk3doc.pdf](http://www.ruarkaudio.com/doc/R7mk3doc.pdf)

## Resolución de problemas

Para obtener ayuda con su producto, consulte la página de preguntas frecuentes en la sección de ayuda de nuestro sitio web.

Para obtener más información, visite [www.ruarkaudio.com/support](http://www.ruarkaudio.com/support)

## Información sobre la garantía

Garantizamos que este producto estará libre de defectos durante un período de dos años a partir de la fecha de compra, siempre que se cuide correctamente. La garantía quedará anulada si el producto se avería por daños accidentales (sea cual sea su causa), sufre desgaste excesivo, negligencias o modificaciones no autorizadas.

Si tiene algún problema, póngase en contacto con nosotros a través de nuestra página web [www.ruarkaudio.com](http://www.ruarkaudio.com) o llamando directamente al 01702 601410 y le recomendaremos cómo proceder. Si es necesario devolver el producto, deberá introducirlo en su embalaje original junto con un justificante de compra. Si no es posible devolver el producto usted mismo, deberá enviarlo con los portes pagados por medio de un transportista de confianza. Si no dispone del embalaje original, puede comprarnos un embalaje de sustitución.

## Garantía internacional

El distribuidor en el país de la compra garantiza los productos adquiridos fuera del Reino Unido. Para obtener más información, póngase en contacto con su distribuidor o punto de venta de Ruark más cercano.

**ESTA GARANTÍA NO MODIFICA NI ELIMINA EN MODO ALGUNO LOS DERECHOS LEGALES DEL COMPRADOR.** Excepto error u omisión.

# ruarkaudio

59 Tailors Court, Temple Farm Industrial Estate,  
Southend on Sea, Essex, SS2 5TH, UK  
+44 (0) 1702 601 410 [www.ruarkaudio.com](http://www.ruarkaudio.com)

## Cuidado general

Limpiar con un paño suave y sin pelusa o con una bayeta ligeramente humedecida. No utilice rociadores de cera u otras sustancias, pues podrían dañar el acabado superficial o afectar el funcionamiento.

No exponga su unidad a la luz solar directa, humedad elevada, polvo, vibración excesiva o temperaturas extremas, pues podrían afectar al acabado, el funcionamiento y la fiabilidad de la unidad.

El intervalo de temperatura operativa recomendada es de 5 a 40 °C.

Las cajas con acabado en madera natural cambiarán y se aclararán u oscurecerán con la edad, en particular si se exponen a la luz solar.

## Copyright y marcas registradas

© 2018 Ruark Audio. Reservados todos los derechos. Ruark Audio, el logotipo de Ruark Audio y otras marcas de Ruark Audio son propiedad de Ruark Audio y pueden estar registradas. Todas las demás marcas registradas son propiedad de sus respectivos autores. Ruark Audio no asume responsabilidad alguna sobre cualquier error que pueda aparecer en este manual y la información que contiene puede modificarse sin previo aviso.

Bluetooth® y los logotipos asociados son marcas comerciales registradas propiedad de Bluetooth SIG, Inc.

Qualcomm aptX y aptX HD son productos de Qualcomm Technologies International, Ltd.

El software Spotify está sujeto a licencias de terceros que puede encontrar aquí: [www.spotify.com/connect/third-party-licenses](http://www.spotify.com/connect/third-party-licenses)

Todas las demás marcas registradas son propiedad de sus respectivos autores.

Diseñado en  
Gran Bretaña



20190430.1





Chaîne HiFi-meuble  
R7 mk3

User guide	EN
Brugervejledning	DA
Bedienungsanleitung	DE
Guía del usuario	ES
<b>Guide de l'utilisateur</b>	<b>FR</b>
Manuale dell'utente	IT
Gebruikershandleiding	NL
Brukerveiledning	NO

ruarkaudio

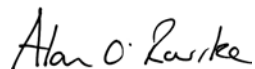
Nous vous remercions d'avoir choisi notre chaîne HiFi-meuble R7 mk3.

Inspiré par le design classique du milieu du siècle, le R7 est l'évolution de notre design emblématique original, et, grâce à son aspect impressionnant et à la qualité incroyable de ses sonorités, nous vous garantissons de redécouvrir la joie d'écouter de la musique.

Lisez attentivement ce guide car il vous aidera à profiter au mieux de votre R7.

Nous sommes certains que le R7 vous donnera pleine satisfaction pendant de nombreuses années, et si vous avez besoin d'aide ou de conseils, n'hésitez pas à nous contacter car nous restons à votre entière disposition. Nous sommes une entreprise britannique familiale, et nous nous faisons fort de vous offrir le meilleur service possible.

Nous vous remercions à nouveau d'avoir choisi Ruark Audio.

A handwritten signature in black ink, reading "Alan O'Rourke". The signature is written in a cursive, flowing style.

Alan O'Rourke  
Fondateur et Directeur Général

# Sommaire

Contenu de la boîte	4	Services de diffusion de musique	25
Boutons	5	Line in et Optical	26
Vue d'ensemble	6	Tourne-disque	26
Installer les pieds	7	Réglage du niveau du volume entrant	26
Prise en main	8	Audio multi-pièces	27
Fonctions principales	10	Contrôle par l'application	28
Réglages du système	13	Alarmes, rappel de sonnerie et mode veille	28
Radio FM	15	Spécifications	29
Radio DAB	16	Informations sur la sécurité et la réglementation	30
Radio Internet	17	Détection des pannes	31
Lecteur CD	19	Informations sur la garantie	32
Bluetooth	20	Consignes générales d'entretien	32
Lecteur de média	22	Droits d'auteur et marques commerciales	32
Diffusion en streaming DLNA	24		

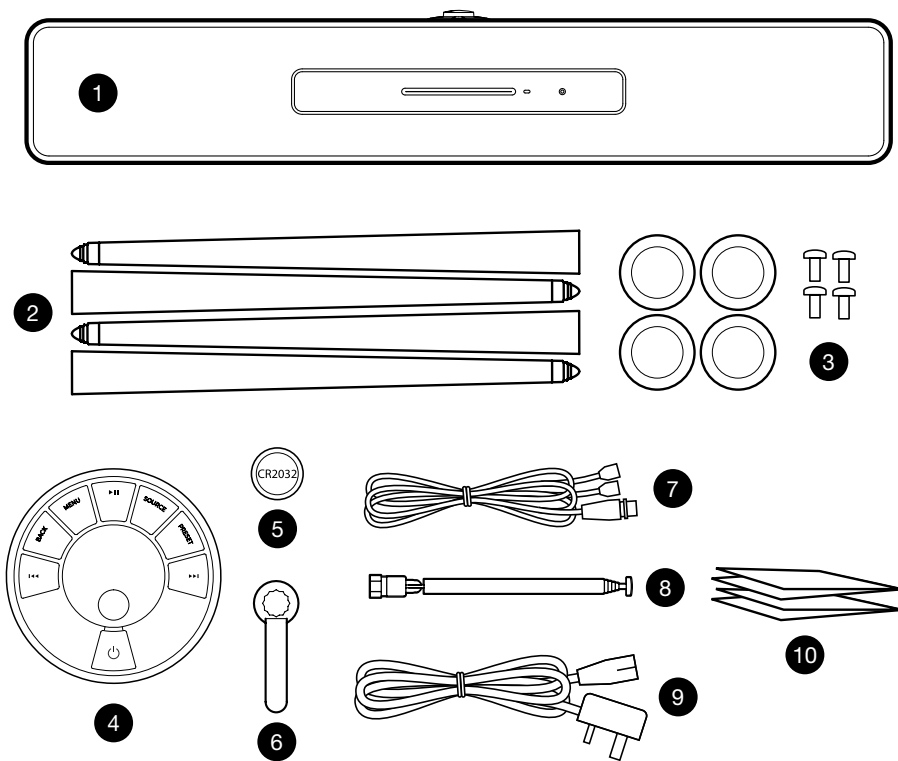
# Contenu de la boîte

Veillez à vous assurer que le boîte reçue contienne bien la totalité des pièces mentionnées ci-dessous.

S'il manque des pièces, n'utilisez pas le R7 et contactez-nous directement si vous l'avez acheté au Royaume-Uni, ou contactez le revendeur Ruark Audio si vous l'avez acheté hors du Royaume-Uni.

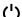
1. R7
2. Quatre pieds fuselés
3. Quatre pieds & leurs vis de fixation
4. Télécommande
5. Pile de télécommande (CR2032)
6. Clé d'antenne
7. Antenne filaire
8. Antenne télescopique
9. Fil d'alimentation
10. Guide de l'utilisateur et autres documents

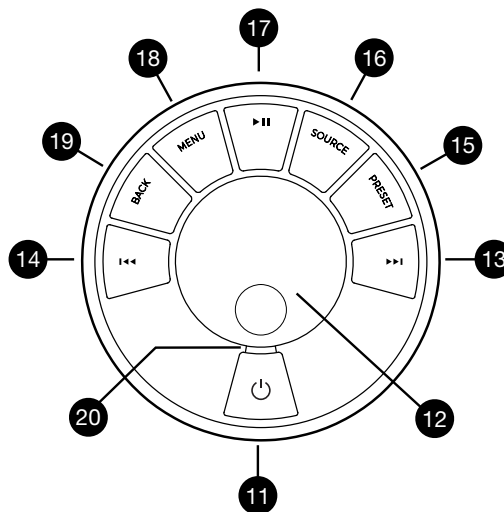
Si possible, veuillez conserver la boîte et tous les matériaux d'emballage.



# Boutons

Les boutons du R7 sont exactement les mêmes que sur la télécommande.

11.  – **STANDBY (VEILLE)**
12. **BOUTON DE COMMANDE / SELECT**  
Tournez ce bouton pour régler le volume sur l'écran Programme en cours  
Tournez ce bouton pour parcourir les menus, les listes de chansons ou les stations de la chaîne HiFi-meuble\*  
Pressez ce bouton pour **VALIDER VOTRE CHOIX**
13. **▶▶I** - appuyez sur cette touche pour passer à la chanson / station suivante ; appuyez sur cette touche et maintenez-la enfoncée pour sélectionner l'avance rapide
14. **I◀◀** - appuyez sur cette touche pour passer à la chanson / station précédente ; appuyez sur cette touche et maintenez-la enfoncée pour revenir en arrière
15. **PRESET** – pressez cette touche pour aller sur une station enregistrée, ou pressez et maintenez cette touche enfoncée pendant deux secondes pour enregistrer une station de radio
16. **SOURCE** – pressez cette touche pour changer de source audio
17. **▶II** – pressez cette touche pour écouter / mettre sur pause une chanson, ou couper le son et la radio
18. **MENU** – pressez cette touche pour afficher le menu.
19. **BACK** – pressez cette touche pour revenir à l'écran de menu / liste précédent(e)
20. **VOYANT INDICATEUR**  
Il indique que la chaîne HiFi R7 est allumée, et clignote quand le Bluetooth est prêt à s'apparier, ou lorsque vous utilisez la télécommande.  
Sur la télécommande, il clignote lorsque vous appuyez sur une touche ou sur un bouton de commande et, lorsque la pile est déchargée, le voyant lumière passera du bleu à l'orange.



FR

\* Vous pouvez également appuyer sur ▶▶I ou I◀◀ pour parcourir les menus, les listes de chansons / stations ou sources.

---

*La façon d'appuyer sur une touche a son importance*

*Presser = taper ou appuyer sur une touche et la relâcher immédiatement*

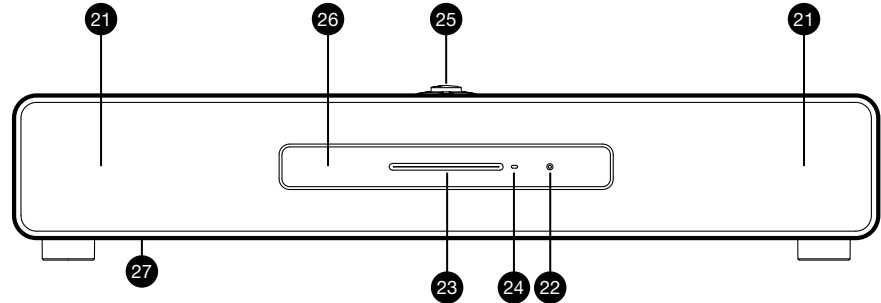
*Presser et maintenir = presser et relâcher au bout de deux secondes*

---

# Vue d'ensemble

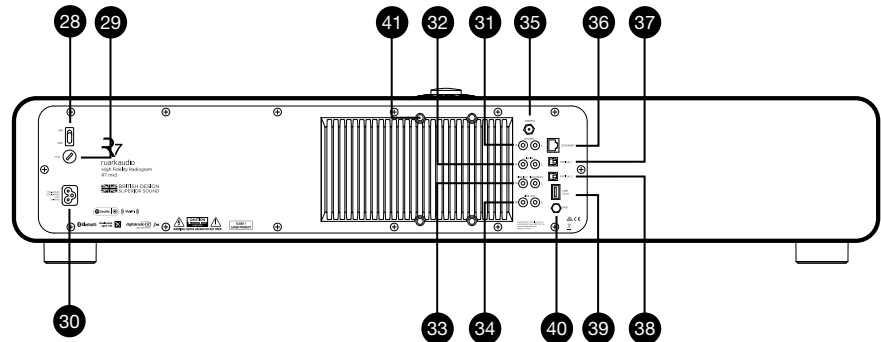
## Avant

- 21. Transducteurs à deux voies
- 22. Prise casque (de 3,5mm)
- 23. Fente de chargement de CD
- 24. Bouton d'éjection de CD
- 25. Boutons
- 26. Écran OLED
- 27. Caisson de basses



## Arrière

- 28. Interrupteur Secteur
- 29. Fusible coupe-circuit
- 30. Prise du fil d'alimentation
- 31. Prise Phono
- 32. Prise Line in 1
- 33. Prise Line in 2
- 34. Prise Line out
- 35. Antenne DAB & FM
- 36. Ethernet
- 37. Prise pour fil optique, 1
- 38. Prise pour fil optique, 2
- 39. USB
- 40. Borne de mise à la terre
- 41. Points de montage AV (4 x M8)



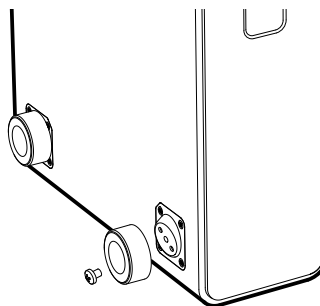
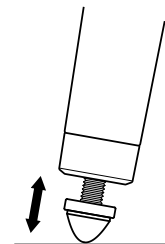
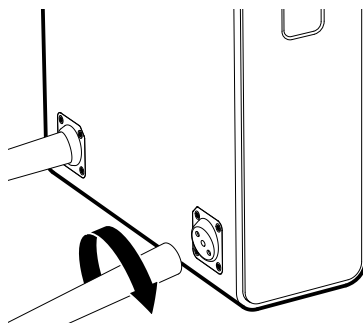
## Installer les pieds

**Trouvez quelqu'un pour vous aider à déplacer votre R7, car il est lourd et peut être facilement endommagé !**

Retirez prudemment votre R7 de son sac de protection, et placez-le sur le côté, sur une surface stable, propre, qui ne fasse pas de marque, notamment sur un tapis ou sur le sac.

Pour monter votre R7 sur ses pieds, vissez les quatre pieds sur les plaques de montage en-dessous du cabinet et serrez à la main chaque pied afin qu'ils ne puissent se défaire. Veillez cependant à ne pas trop serrer. Faites pivoter doucement le R7 pour l'amener sur sa position définitive et réglez les embouts des pieds (41) afin que l'appareil soit parfaitement stable.

Installez votre R7 sur un pied, mettez un pied sur chacune des quatre plaques de montage situées sous l'appareil en veillant à les aligner correctement. Vissez les vis à l'aide du tournevis cruciforme fourni pour les tenir en position. Faites pivoter délicatement votre R7 et placez-le sur une surface solide et sûre.



---

*Veillez à ne pas endommager les caches des enceintes lorsque vous déplacez votre R7.*

---



---

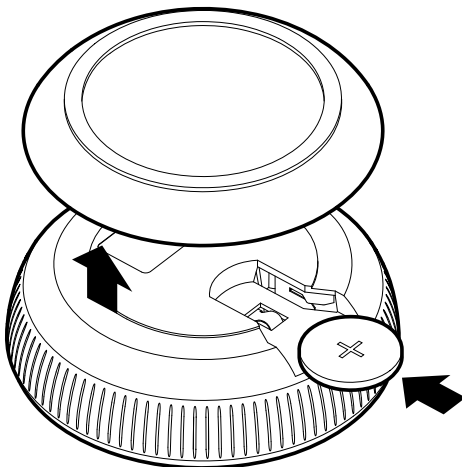
*Le R7 est très lourd. Toute manipulation incorrecte peut entraîner des dommages ou des blessures.*

---

# Prise en main

## 1 Installer la télépile

Retirez délicatement le socle métallique magnétique et, une fois la télécommande dirigée vers le bas, faites glisser la pile (CR2032) dans l'encoche prévue à cet effet, en veillant à ce que le côté plat sur lequel est indiqué un « + » soit dirigé vers le haut. Remettez le socle magnétique en acier.



---

*Veuillez noter que la télécommande peut ne pas fonctionner avant qu'elle ne soit appariée au système principal (voir étape 6).*

---

## 2 Raccordement de l'antenne

Installez le fil ou l'antenne télescopique sur la prise d'antenne DAB / FM, à l'arrière de votre R7 et vissez doucement avec la clé fournie. Utilisez l'antenne qui vous convient le mieux ; mais pour que la réception soit la meilleure possible, nous vous recommandons vivement d'utiliser une antenne externe, installée par un professionnel.

## 3 Branchement à l'alimentation secteur (C.A.)

Branchez le fil d'alimentation sur la prise située à l'arrière de votre chaîne HiFi-meuble puis à la prise secteur.

## 4 Allumer

Mettez l'interrupteur secteur se trouvant à l'arrière du R7 sur ON (Marche). Le R7 est prêt à fonctionner.

Pour allumer votre R7, appuyez sur le bouton **STANDBY** du cabinet, et le logo R7 apparaîtra ensuite sur l'écran.





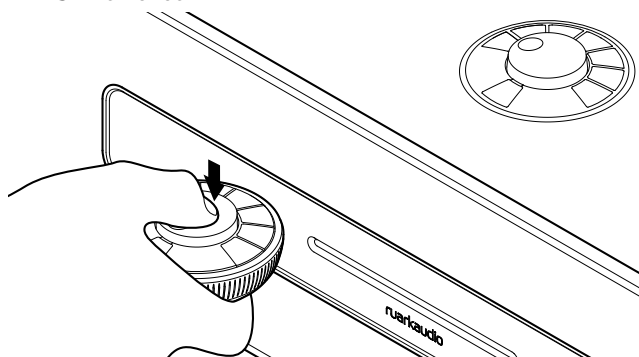
## 5 Sélectionnez une langue

Tournez le **BOUTON DE COMMANDE** afin de mettre votre choix en surbrillance puis pressez sur **SELECT**.



## 6 Appairer votre télécommande

Dès qu'il vous est demandé d'appairer votre télécommande à proximité, tenez-la très près de l'écran et pressez et maintenez **PRESET** enfoncé.

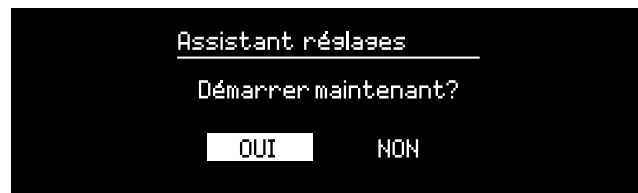


Une fois l'appariement fait, un écran de confirmation apparaît, la télécommande est alors prête à être utilisée. Appuyez sur **SELECT** pour continuer.

Vous n'aurez normalement pas besoin de la réappairer, mais si vous le faites, maintenez-la tout près de l'écran et appuyez sur n'importe quel bouton. Maintenez le bouton appuyé jusqu'à ce que le message de confirmation apparaisse. Vous pouvez le faire dans n'importe quel mode.

## 7 Assistant de configuration

Lorsque vous allumez votre R7 pour la première fois, l'assistant de configuration vous aidera à configurer l'horloge et à vous connecter à votre réseau.



Pour lancer l'assistant de configuration, tournez le **BOUTON DE COMMANDE** pour mettre *OUI* en surbrillance et appuyez ensuite ce bouton pour **SÉLECTIONNER**. Si vous choisissez *NON*, votre R7 s'allumera sans régler l'heure / la date ni les paramètres réseau.

## 8 Sélection d'une source

Au terme de la configuration initiale, le R7 affichera une liste des sources à votre disposition. Utilisez le **BOUTON DE COMMANDE** pour choisir une source et appuyez sur **SELECT**.

## 9 Profitez de votre musique !

# Fonctions principales

## Mise sous tension et en marche

Appuyez sur **STANDBY** pour allumer votre chaîne HiFi.  
Pressez à nouveau cette touche pour l'éteindre.

## Écrans de programmes en cours

À moins que vous ne finissiez un réglage, l'écran ressemble à l'exemple ci-dessous ; l'horloge se trouvant en haut et la station / chanson / album / artiste en dessous.



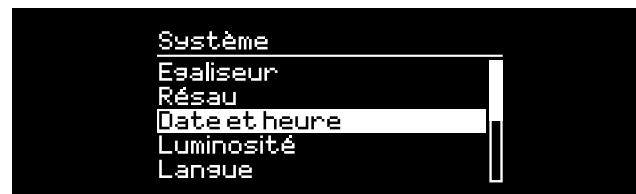
Les icônes à l'écran ci-dessous s'affichent lorsque leurs fonctions respectives fonctionnent.



## Écrans de menu

Les menus vous permettent de sélectionner diverses options, le réglage des graves et des aigus par exemple. Pour modifier

un réglage, appuyez sur **MENU** pour afficher la liste des options proposés, tournez le **BOUTON DE COMMANDE** pour mettre votre choix en surbrillance, et pressez ensuite ce bouton pour confirmer votre choix.



## Parcourir les menus, les listes de chansons / stations

Pour modifier des réglages – appuyez sur **MENU**

Pour faire défiler les options – tournez le **BOUTON DE COMMANDE**

Pour choisir une option – pressez le **BOUTON DE COMMANDE**

Pour quitter le menu – appuyez sur **MENU** ou patientez quelques secondes

Pour revenir sur le menu / la liste précédents – appuyez sur **BACK (retour)**

---

*La façon d'appuyer sur une touche a son importance*

*Presser = taper ou appuyer sur une touche, et la relâcher immédiatement*

*Presser et maintenir = presser et relâcher au bout de deux secondes*

---

## Régler le volume

Tournez le **BOUTON DE COMMANDE** sur n'importe quel écran Programmes en cours.

Le volume du haut-parleur et celui du casque se règlent séparément donc, quand un casque est branché, le volume est indiqué par *Vol Ecouteurs*.

REMARQUE : Si vous tournez le **BOUTON DE COMMANDE** quand un menu ou une liste de chansons / stations est affiché(e), vous ferez défiler le menu ou la liste mais le volume ne changera pas.

## Changer de source audio

Appuyez sur **SOURCE** pour afficher la source actuelle, tournez le **BOUTON DE COMMANDE** pour faire défiler la liste des sources possibles, et pressez ensuite ce bouton pour sélectionner celle affichée. (Au lieu de tourner le bouton, vous pouvez aussi appuyer plusieurs fois sur **SOURCE** pour faire défiler la liste des sources possibles.)

## Audio multi-pièces

Cet appareil est entièrement compatible avec le mode Plusieurs pièces de Ruark Audio, et vous permet d'écouter de la musique sans problème d'une pièce à l'autre. Pour de plus amples informations, reportez-vous à la rubrique «Audio multi-pièces».

## Mettre une chanson sur pause, ou couper le volume

Appuyez sur ►|| et appuyez à nouveau pour reprendre l'écoute.

## Écouter la chanson suivante / précédente

Appuyez sur ►► pour passer à la chanson suivante du dossier ou de l'album, appuyez sur ◀◀ pour revenir au début de la chanson actuelle et appuyez à nouveau pour revenir sur la chanson précédente.

## Avance ou retour rapide

Pressez et maintenez ►► ou ◀◀ enfoncé (cette fonction peut ne pas fonctionner avec Bluetooth).

## Changer de station radio FM

Appuyez sur ►► ou ◀◀ pour sélectionner la station suivante / précédente. Pour de plus amples détails, reportez-vous à la rubrique « FM » (modulation de fréquences).

## Changer de station radio DAB

Appuyez sur ►► ou ◀◀ pour sélectionner la station suivante / précédente.

Vous pouvez aussi afficher la liste des stations en sélectionnant **MENU > Liste de stations**.

Pour de plus amples détails, reportez-vous à la rubrique « DAB ».

## Changer les info sur une station/chanson

Pour changer les informations sur une station / chansons qui sont affichées, sélectionnez une option en suivant **MENU > Info**.

---

*Pour revenir au menu ou à la liste des stations précédentes, appuyez sur BACK*

---

## Enregistrer une station préreglée

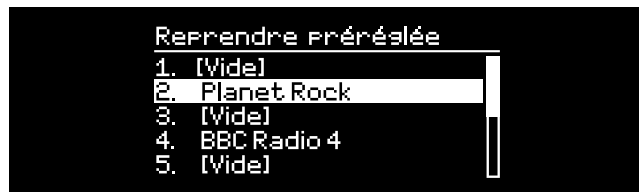
Pressez et maintenez **PRESET** enfoncé jusqu'à ce que « *Save preset* » s'affiche, puis tournez le **BOUTON DE COMMANDE** pour choisir le numéro de la station préreglée, et pressez ensuite ce bouton pour enregistrer la station actuelle. Les préreglages indiquent le nom de la station, la fréquence ou [Vide].



Si vous enregistrez une station sur une station déjà préreglée, la station existante sera remplacée.

## Reprendre une station préreglée

Appuyez sur **PRESET**, tournez le **BOUTON DE COMMANDE** pour faire défiler la liste des stations préreglées et pressez ensuite le bouton pour choisir une station.



## Brancher un appareil Bluetooth

Lorsque vous modifiez la source pour vous servir du système Bluetooth, votre R7 tentera de se connecter automatiquement au dernier périphérique connecté. Si l'appareil n'est pas encore apparié, ou si l'appareil précédent ne se trouve pas là, votre R7 passera en mode Appariement. Pour de plus amples informations, reportez-vous à la rubrique « Bluetooth ».

## Casques

Branchez le casque sur la prise stéréo 3,5 mm ( ) à l'avant de votre R7.

Le volume du casque et celui des hauts-parleurs se règlent séparément, donc, quand le casque est branché, le volume est alors indiqué par *Vol Ecouteurs*.

## Chargement depuis USB

La prise USB de votre R7 est d'une puissance nominale de 5 W (1,0 A), et alimentera la plupart des appareils et accessoires alimentés par USB.

---

Remarque : **MENU > Système > Égaliseur** signifie appuyer sur **MENU**, sélectionner **Système** et pou finir sélectionner **Audio**

---

# Réglages du système

## Graves, très graves et aigus

**MENU > Système > Audio > Graves, Treble ou Sub level**

Ajustez les niveaux de graves et d'aigus avec le **BOUTON DE COMMANDE** et pressez ensuite le bouton pour enregistrer les réglages.

## Loudness

L'option Loudness renforce les fréquences des graves et des aigus à des volumes moins élevés.

**MENU > Système > Égaliseur > Loudness**

## Sonorité 3D

L'option 3D rend plus ample l'effet stéréo et crée un son plus enveloppant et immersif.

**MENU > Système > Égaliseur > 3D**

## Date et heure

**MENU > Système > Date et heure**

L'heure et la date se synchronisent automatiquement avec la transmission des signaux à l'heure du pays concerné, sur des fréquences DAB et FM (ne peut être possible le cas échéant).

Vous pouvez également régler l'heure manuellement en coupant l'actualisation automatique, et en changeant le format de la date et de l'heure.

---

*Les réglages actuels sont signalés par un astérisque (\*)*

---

## Luminosité de l'écran

**MENU > Système > Luminosité**

Vous pouvez ajuster la luminosité de l'écran de façon indépendante, quand votre R7 est allumée ou en mode Standby (veille).

Lorsque la luminosité est réglée sur 0, l'écran s'éteindra automatiquement au bout de quelques secondes. L'écran s'allume brièvement chaque fois que vous appuyez sur une touche.

Vous pouvez également régler la luminosité de veille lorsque votre R7 est en mode veille en appuyant sur ►► ou ◀◀.

## Langue

**MENU > Système > Langue**

Changer la langue du menu.

## Mise à jour du logiciel

**MENU > Système > Mise à jour logiciel**

Votre R7 est programmée pour vérifier automatiquement si des mises à jour de son logiciel sont proposées. Si une mise à jour est proposée, la R7 vous demandera si vous souhaitez la télécharger et l'installer.

**PRÉCAUTIONS :** Si vous coupez l'alimentation durant une mise à jour du logiciel, vous risquez d'endommager irréremédiablement votre R7.

## Reprise des réglages d'usine

**MENU > Système > Réglages d'origine**

Pour reprendre tous les réglages et effacer tous les pré-réglages.

## Assistant de configuration

### **MENU > Système > Setup wizard**

Lance l'assistant de configuration pour vous aider à configurer l'horloge et le réseau.

## Mode Standby automatique

Votre R7 est programmée pour passer automatiquement en mode Standby si la fonction audio est inutilisée pendant plus de 20 minutes. Pour changer ce réglage, sélectionnez **MENU > Système > Veille Inactif**.

## Assistant réseau

Pour être aidé lors de la configuration du réseau, sélectionnez **MENU > Système > Réseau > Assistant réseau**.

## Profils réseau

Votre R7 tentera automatiquement de se connecter au réseau auquel elle était précédemment connectée.

Pour consulter la liste des réseaux enregistrés, sélectionnez **Menu > Système > Réseau > Profil réseau**. Pour supprimer un réseau non souhaité, mettez-le en surbrillance, pressez le **BOUTON DE COMMANDE** et sélectionnez **YES**.

## Rester connecté au réseau

### **MENU > Système > Réseau > Gardez connecté**

Choisissez de laisser votre R7 connectée au réseau, même en Standby (mode par défaut). Nous vous recommandons de choisir *Gardez connecté* car vous pourrez utiliser votre R7 en permanence, en streaming Spotify ou DLNA. Cette recommandation est également valable si vous avez choisi que l'horloge se mette à jour à partir du réseau.

## Informations système

Affiche les informations sur votre R7 (version du logiciel, code d'identification unique, et pseudonyme).

## Réglages avancés du réseau

Des réglages avancés du réseau sont à la disposition des utilisateurs expérimentés qui souhaitent configurer le réseau manuellement, ou diagnostiquer et résoudre des problèmes de réseau.

## Pseudonyme

Le nom par lequel votre R7 s'identifie sur des réseaux, Spotify et Bluetooth. Vous pouvez changer ce pseudo et utiliser un terme plus descriptif (« R7 d'Archie » ou « R7 Salon », par exemple).

Vous pouvez consulter la situation de service de votre R7 et changer son pseudonyme en vous rendant sur sa page Web dans un navigateur. Sur Windows, le SE détecte votre R7 et le considère comme étant un dispositif multimédia, et si vous cliquez deux fois sur l'icône, la page de configuration s'ouvrira sur votre navigateur.

Pour de plus amples informations, rendez-vous sur [www.ruarkaudio.com/support](http://www.ruarkaudio.com/support)

## Radio FM

Lorsque vous écoutez la FM, votre R7 affiche le nom de la station et d'autres informations sur le programme RDS / RBDS \* lorsqu'elles sont proposées.

\*Radio Data System/chaîne HiFi-meuble Broadcast Data System



### Changer de station

Appuyez sur ►► ou ◀◀ pour passer automatiquement à la station FM suivante proposée. Si vous ne pouvez utiliser la fonction RDS/RBDS, la fréquence est indiquée à la place.



### Scan setting (Paramètres de balayage)

Vous pouvez changer le réglage de balayage afin que votre R7 ne s'arrête que lorsqu'elle rencontre un signal puissant, en sélectionnant **Menu > Scan setting > Strong stations only**.

## Informations sur le programme

Choisissez entre radio text, programme type, frequency, signal strength et date en sélectionnant **MENU > Info**.

### Recherche manuelle

Sélectionnez **MENU > Recherche manuelle**, puis changez la fréquence en tournant le **BOUTON DE COMMANDE** ou en pressant ►► ou ◀◀.

### Enregistrer un prééglage

La liste peut contenir 10 stations FM prééglées. Le nom de la station ne peut être enregistré que si le protocole RDS ou RBDS peut être utilisé. Voir la rubrique « Fonctions principales ».

### Reprendre une station prééglée

Voir la rubrique « Fonctions principales ».

### Mono

Lorsque le signal FM devient plus faible, les hautes fréquences s'amplifieront (sifflements). Pour moins les entendre, sélectionnez **Menu > Mono**.

---

*Pour réduire davantage les sifflement sur les stations FM à signaux plus faibles, nous vous recommandons de couper la sonorité 3D*

---

# Radio DAB

Lorsque vous écoutez une station de radio DAB ou DAB+, votre R7 affiche le nom de la station et d'autres informations sur le programme DLS \* lorsqu'elles sont proposées.

La première fois que vous allumez votre R7, ou lorsque la liste de stations est vide, un balayage complet des stations possibles est exécuté.

*\*Dynamic Label Segment*

## Changer de station

Pressez ►► ou ◄◄ pour passer à la station suivante/précédente.

## Liste des stations

Pour afficher une liste des stations DAB disponibles, sélectionnez **MENU > Liste des stations** ou appuyez sur ►► ou sur ◄◄. Surlignez la station que vous souhaitez écouter et appuyez sur **SELECT**.



---

Quand une station n'est pas bonne, le nom de la station est précédé d'un « ? ».

---

## Informations sur le programme

Choisissez entre radiotexte, type de programme, fréquence, intensité du signal, format du signal et date en sélectionnant **MENU > Info**.

## Enregistrer un préenregistrement

La liste peut contenir 10 stations DAB préenregistrées. Voir la rubrique « Fonctions principales ».

## Reprendre une station préenregistrée

Voir la rubrique « Fonctions principales ».

## Stations secondaires

Une ou plusieurs stations secondaires peuvent être associées à certaines stations de radio DAB. Quand une station secondaire est disponible ">>" s'affiche après le nom de la station dans la liste de stations.

Placé avant le nom de la station, "<<" indique des stations secondaires.

## Ordre des stations

Le classement de la liste de stations DAB peut être *Alphanumérique*, *Ensemble* ou *Valide*. En mode *Alphanumérique*, les stations sont classées par ordre alphabétique. *Ensemble* les regroupe par diffuseur, et *Valide* indique en premier les stations disponibles, et place les stations invalides (signalées par un ?) en dernier.

Pour changer l'ordre des stations, sélectionnez **Menu > Ordre des stations** et sélectionnez **Alphanumérique** (par défaut), **Ensemble** ou **Valide**.



## Balayage des stations

Si la liste des stations est vide, la radio exécute automatiquement un balayage complet des stations possibles lorsque vous passez en mode DAB.

Dans tous les cas, il est recommandé d'exécuter régulièrement un balayage complet des stations possibles pour mettre à jour la liste des stations. En effet :

- De nouvelles stations peuvent être captées.
- Des stations peuvent être fermées ou peuvent ne plus être reçues
- La réception était mauvaise lors du balayage initial (par exemple, l'antenne n'était pas installée correctement)
- Vous avez déplacé la chaîne HiFi-meuble dans un autre endroit

Pour exécuter un balayage complet, sélectionnez **MENU > Recherche**.

## Supprimer des stations dont le signal est faible ou de mauvaises stations

En face du nom d'une station dont le signal est faible (inaudible) ou mauvais se trouvent un « ? » et elle peut être retirée en sélectionnant **MENU> Supprimer faible**.

## Radio Internet

Votre radio R7 peut vous permettre d'écouter des milliers de stations radio Internet et de podcasts, dans le monde entier (connexion Internet nécessaire).

### Menu principal

La première fois que vous écoutez une radio Internet, le menu principal pour ce mode s'affiche.



Si vous avez déjà écouté des stations radio Internet sur la R7, le système choisit automatiquement la dernière station écoutée.

### Dernières stations écoutées

Pour accéder à une liste des stations récemment écoutées, sélectionnez **MENU > Dernières écoutées**

La première fois que vous utilisez le R7 à cette fin, la liste est vide.

### Liste des stations

Vous pouvez parcourir ou rechercher dans la longue liste de stations en sélectionnant **MENU > Liste des stations**, et en utilisant diverses options (genre, lieu et popularité).

## Info relatives au programme en cours

Le nom de la station s'affiche, suivi d'autres informations comme le nom de l'artiste et le titre de la chanson. Pour changer les informations affichées, sélectionnez **MENU > Info** et choisissez entre radiotexte, genre, format du signal, nom de piste, location, et date.

## Rechercher une station

Pour rechercher une station, sélectionnez **MENU > Liste des stations > Stations > Chercher stations** puis saisissez ensuite le nom de la station recherchée.

## Podcasts

De nombreuses stations sont associées à des podcasts, que vous pouvez parcourir et rechercher, comme vous le feriez pour des stations radio Internet.

## Muet

Appuyez sur ►|| pour couper le son, et appuyez sur la même touche pour reprendre l'écoute.

## Enregistrer une station préreglée

La liste peut contenir 10 stations radio Internet préreglées. Voir la rubrique « Fonctions principales ».

## Reprendre une station préreglée

Voir la rubrique « Fonctions principales ».

## Portail radio Ruark

Outre des radios préreglées, l'option Radio Internet vous permet d'enregistrer et de classer vos stations radio préférées grâce au portail en ligne Ruark.

Visitez [www.ruarkaudio.com/radiportal](http://www.ruarkaudio.com/radiportal) pour de plus amples informations.

Vous aurez besoin du code d'accès unique de votre radio pour accéder à ce portail, veuillez donc le noter en sélectionnant **Menu > Liste des stations > Aide > Obtenir le code d'accès**.

## Mes stations préférées

Cette fonction est similaire à l'enregistrement de stations préreglées, à ceci près que les stations sont enregistrées en ligne, sur le portail radio Ruark. Vos stations préférées sont ainsi accessibles depuis n'importe quel radio Internet Ruark enregistré sur le même compte.

Pour enregistrer la station que vous préférez, pressez et maintenez le **BOUTON DE COMMANDE** enfoncé jusqu'à ce que *Favori ajoute* apparaisse. Ceci n'est possible que si vous avez enregistré votre R7 sur le portail radio.

## Mes stations ajoutées

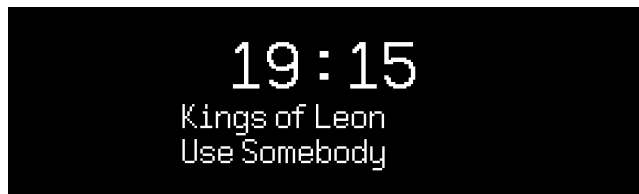
Vous pouvez ajouter manuellement des stations qui ne sont pas encore listées en visitant le portail radio en ligne Ruark. Les stations ajoutées de cette manière sont accessibles en sélectionnant **MENU > Liste des stations > Mes stations ajoutées**.

## Lecteur CD

Pour introduire un CD, glissez-le dans la fente du lecteur CD et poussez-le légèrement. Une fois le CD chargé, la lecture débutera automatiquement.

### Info relatives au programme en cours

Habituellement, le numéro de la chanson et sa durée sont indiqués sur les CD audio, tandis que les CD MP3 portent le numéro de la chanson et le nom de l'album.



Pour changer ce qui est affiché, sélectionnez **MENU > Info** et choisissez entre afficher des informations sur l'album et l'artiste, la barre de progression ou le nom du fichier (les options dépendent du type de CD).

### Play / Pause

Appuyez sur ►|| pour écouter un morceau ou le mettre sur pause.

### Arrêter d'écouter

Appuyez longuement sur ►||

### Sauter une chanson

Appuyez sur ►► ou ◀◀ pour passer au morceau suivant ou précédent.

### Avance ou retour rapide

Appuyez sur ►► ou ◀◀ et maintenez cette touche enfoncée pour avancer ou revenir rapidement en arrière.

### Ejecter

Appuyez sur la touche Éjecter, qui se trouve à côté de la fente du lecteur CD.

### Lecture aléatoire

Pour écouter des morceaux dans un ordre aléatoire, sélectionnez .

**MENU > Aléatoire > On**

### Répéter

Pour réécouter une même chanson, ou tous les morceaux, sélectionnez.

**MENU > Répétition > Une ou Tous**

---

*La structure en dossiers des disques MP3/WMA/AAC est ignorée et les morceaux figurent sur une simple liste*

*Le R7 ne peut pas lire des fichiers WMA et AAC protégés par des droits*

---

## Bluetooth

Votre R7 prend en charge l'aptX pour un streaming de qualité des CD et aptX HD pour le streaming haute résolution en 24 bits. Il se connecte automatiquement à votre appareil bluetooth, en utilisant la connexion de la plus haute qualité que votre appareil peut le permettre.

### Apparier votre appareil Bluetooth

Après avoir indiqué que Bluetooth est la source, attendez que *Attente de connexion...* apparaisse et que le voyant indicateur clignote.

Configurez l'option Bluetooth de votre appareil pour l'apparier et le connecter à la radio R7. Il apparaîtra sous *Ruark R7\** dans la liste des appareils appariés. Quand votre appareil est connecté, *BT Connectée + le nom de votre appareil* (le téléphone d'Archie, par exemple) apparaît.

Il faut quelques secondes à votre R7 pour apparaître dans la liste, et, dans certains cas, vous devrez même saisir le mot de passe « 0000 » pour apparier.

Si la tentative de connexion est trop longue, votre R7 interrompra le processus et indiquera *Pas de connexion*. Pour établir la connexion, sélectionner **MENU > Connecter dispositif**.

### Connecter un appareil Bluetooth

Dès que vous passez sur Bluetooth, la radio R7 affiche *Connexion* et tente de se connecter au dernier appareil auquel elle était appariée précédemment.

Si'il n'est pas possible de se connecter à cet appareil, *Attente*

*de connexion...* apparaît. Pour vous connecter à votre R7, vérifiez que la fonction Bluetooth de votre dispositif soit allumée et sélectionnez *Ruark R7\** dans la liste des appareils appariés sur votre appareil Bluetooth.

### Pseudonyme

\*Votre R7 s'affiche comme étant le Ruark R7 sur les appareils Bluetooth, cependant, vous pouvez utiliser un terme plus descriptif (« R7 d'Archie » ou « R7 Salon », par exemple). Voir le chapitre Réglages système.

### Écouter de la musique

Une fois les deux appareils connectés, le R7 peut jouer des morceaux se trouvant sur votre appareil Bluetooth. Pour de plus amples informations, reportez-vous à la documentation accompagnant votre appareil.

REMARQUE : il vous faudra peut-être sélectionner Ruark R7 ou Bluetooth à titre de sortie audio sur votre appareil.

### Mise sur pause d'une chanson

Appuyez sur **▶||** et appuyez à nouveau pour reprendre l'écoute.

### Écouter la chanson suivante / précédente

Appuyez sur **▶▶|** pour passer à la chanson suivante du dossier ou de l'album, appuyez sur **||◀◀** pour revenir au début de la chanson actuelle et appuyez à nouveau pour revenir sur la chanson précédente.

---

*Vous ne pouvez pas utiliser la fonction Bluetooth de votre R7 pour connecter un casque Bluetooth*

---

## Régler le volume

Nous vous recommandons d'ajuster le volume de votre appareil Bluetooth, afin que le volume d'écoute soit à peu près le même que celui d'autres appareils. Vous pouvez alors utiliser le bouton de volume sur votre R7 pour ajuster le volume général.

## Informations relatives au programme en cours

Le nom de l'artiste, de l'album et de la piste apparaissent si votre appareil Bluetooth et ses applications prennent en charge des métadonnées Bluetooth. Vous pouvez également afficher le nom de l'appareil connecté. Pour ce faire, sélectionnez **MENU > Info**.

## Portée de service

Elle est généralement de 10 mètres à partir du R7 mais elle peut être moindre en cas d'obstruction (un mur par exemple).

## Débrancher un appareil

Pour débrancher un appareil et en brancher un autre, sélectionnez **MENU > Connecter dispositif**.

## Apparier d'autres appareils

Vous pouvez appairer jusqu'à 7 appareils mais vous ne pouvez écouter la musique ne provenant que d'un seul appareil à la fois.

## Effacer la liste des appareils appariés

En cas de difficultés pour connecter un appareil Bluetooth, nous vous recommandons d'effacer toutes les informations d'appariement. Pour ce faire, sélectionnez **MENU > Effacer dispositifs**.

Vous devrez également effacer *Ruark R7* de la liste des appareils appariés à votre appareil Bluetooth avant de recommencer l'appariement.

Pour de plus amples informations, rendez-vous sur [www.ruarkaudio.com/support](http://www.ruarkaudio.com/support)

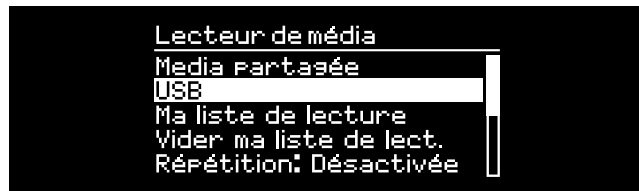
## Lecteur de média

Le lecteur de média vous permet de lire des fichiers audio enregistrés sur un ordinateur, sur votre réseau, ou à partir d'une clé USB ou d'un disque dur portable.

### Lecteur de musique USB

Pour lire des fichiers audio se trouvant sur un appareil de stockage USB (clé USB Flash ou sur un disque dur USB, par ex. et au format FAT32), connectez cet appareil à la prise USB située à l'arrière de votre R7.

La première fois que vous connectez un appareil de stockage USB, votre R7 vous demande automatiquement si vous souhaitez voir la liste de morceaux à choisir. Autrement, pour voir la liste de morceaux, sélectionnez **Menu > USB**.



### Lecteur de musique en réseau

Votre R7 est entièrement compatible à DLNA et peut tout-à-fait jouer de la musique enregistrée dans des bibliothèques multimédias se trouvant sur d'autres appareils du réseau. Ces bibliothèques multimédias partagées peuvent se trouver sur un ordinateur portable, un Smartphone ou une tablette ou sur un serveur musical spécial, un lecteur NAS (Stockage en réseau) par exemple.

La plupart des ordinateurs sous Windows sont déjà configurés comme des serveurs multimédias, de même que la plupart des lecteurs NAS, et certains routeurs peuvent également servir de serveurs multimédia. Un grand nombre d'applications pour Mac, iOS, Linux, Android, Windows phone, Blackberry, Symbian, etc. vous permettent de convertir votre lecteur MP3, Smartphone ou tablette en serveur musical.

Pour écouter de la musique partagée par des appareils sur votre réseau, sélectionnez **Menu > Media partagée**. Une fois que votre R7 a balayé le réseau à la recherche de supports médias partagés, une liste de serveurs musicaux comprenant le nom de l'ordinateur et le nom du support média partagé, s'affiche. Par exemple *<Ruark-Laptop: Archie Music>*.

Les menus qui apparaissent ensuite sont générés par le serveur multimédia. Cependant, dans bien des cas, vous pouvez aussi utiliser des options pour parcourir les genres, les dossiers, les artistes, les albums, etc.

Si le R7 n'est pas connecté à un réseau, il tente alors de s'y connecter.

Pour de plus amples informations, rendez-vous sur [www.ruarkaudio.com/support](http://www.ruarkaudio.com/support)

### Parcourir, et écouter de la musique

Tournez le **BOUTON DE COMMANDE** pour parcourir la liste de morceaux, et pressez ensuite ce bouton pour ouvrir le dossier / l'album en surbrillance, ou écouter la chanson.

Pour revenir sur l'écran précédent, appuyez sur **BACK (Retour)**.

## Mise sur pause d'une chanson

Appuyez sur ►|| et appuyez à nouveau pour reprendre la lecture.

## Sauter une chanson

Appuyez sur ►►| pour passer à la chanson suivante du dossier ou de l'album, appuyez sur |◀◀ pour revenir au début de la chanson actuelle, et appuyez à nouveau pour revenir sur la chanson précédente.

## Avance ou retour rapide

Pressez et maintenez ►►| ou |◀◀ enfoncé pour faire avancer ou revenir en arrière rapidement le morceau.

## Écoute aléatoire

Pour écouter des morceaux de façon aléatoire, sélectionnez **MENU > Aléatoire** et pressez le **BOUTON DE COMMANDE** pour allumer / couper l'écoute aléatoire.

REMARQUE : quand le dossier contient un grand nombre de chansons, cette fonction ne peut pas être utilisée.

## Réécouter

Pour réécouter un morceau ou tous les morceaux du dossier en cours, sélectionnez **MENU > Répétition** et pressez le **BOUTON DE COMMANDE** pour allumer / couper la fonction de réécoute.

---

*Les morceaux WMA et AAC protégées par des droits ne peuvent pas être écoutés sur votre R7.*

---

## Ma liste de morceaux

Vous pouvez créer votre propre liste de chansons et mettre jusqu'à 500 morceaux en file d'attente. Ces chansons peuvent provenir de divers serveurs multimédias ou d'une clé USB. Pour gérer votre liste à écouter, sélectionnez **Menu > Ma liste de lecture**.

Pour ajouter une chanson ou un dossier à votre liste à écouter, surlignez la chanson / le dossier puis pressez et maintenez le **BOUTON DE COMMANDE** enfoncé pendant deux secondes.

Pour supprimer une chanson de votre liste, surlignez le morceau puis pressez et maintenez le **BOUTON DE COMMANDE** enfoncé pendant deux secondes.

Veillez noter que votre liste de morceaux à écouter sera stockée, tant que votre R7 restera en mode veille mais sera effacée si vous l'éteignez.

## Info relatives au programme en cours

Généralement, le nom de la chanson s'affiche, suivi d'autres informations. Pour changer les informations affichées, sélectionnez **MENU > Info** et choisissez d'afficher des informations sur l'album et l'artiste, la barre de progression ou le format des informations.

## Supprimer des serveurs

Votre R7 enregistre automatiquement le nom des serveurs multimédias auxquels il s'est connecté, et ne pouvant être utilisés actuellement, comme l'indique le point d'interrogation placé devant leur nom (ex., ?Home-Laptop). Vous pouvez les supprimer de la liste en sélectionnant **MENU > Supprimer serveurs > OUI**.

## Diffusion en streaming DLNA

Vous pouvez également écouter de la musique en streaming sur votre R7, provenant d'un serveur multimédia compatible à DLNA (Digital Living Network Alliance). Ainsi vous pouvez rechercher de la musique sur le serveur et l'écouter sur votre R7. Un grand nombre d'applications disponibles pour Mac, iOS, Linux, Android, Windows phone, etc., vous permettent de convertir votre ordinateur portable/Smartphone/tablette en serveur multimédia DLNA. Windows Media Player est également équipée d'une fonction « Play to » (Écouter sur) qui vous permet d'écouter de la musique stockée sur votre ordinateur, en streaming, directement sur votre R7.

Grâce à la diffusion en streaming DLNA, votre R7 fonctionne comme un Digital Media Renderer (DMR) et vous pouvez ainsi rechercher de la musique sur votre Smartphone ou votre ordinateur portable et l'écouter en streaming sur votre R7, via le réseau.

Quand vous sélectionnez votre R7\* pour écouter de la musique, il passe automatiquement en mode DMR (ce mode ne peut pas être sélectionné avec la touche **SOURCE**).

De même, toutes les informations « programme en cours » sont contrôlées par le serveur et vous ne devez donc changer aucun réglage.

Pour de plus amples informations, reportez-vous à la documentation accompagnant votre appareil/appli ou rendez-vous sur **[www.ruarkaudio.com/support](http://www.ruarkaudio.com/support)**.

---

*Pour diffuser en streaming DLNA, votre R7 doit être connecté au réseau, et nous vous recommandons donc de la laisser en mode « Rester connecté au réseau ». Voir le chapitre Réglages système.*

---



# Services de diffusion de musique

Votre R7 peut utiliser les services de diffusion (streaming) de musique indiqués ci-dessous.

## Spotify Connect

Utilisez votre téléphone, votre tablette ou votre ordinateur comme une télécommande pour contrôler Spotify. Accédez à [spotify.com/connect](https://spotify.com/connect) pour en savoir plus.

## Amazon Music

Pour de plus amples précisions, veuillez vous rendre sur le lien [www.amazon.com](https://www.amazon.com)

## Deezer

Pour de plus amples précisions, veuillez vous rendre sur le lien [dzt.fm/airable](https://dzt.fm/airable)

## TIDAL

Pour de plus amples précisions, veuillez vous rendre sur le lien [tidal.com](https://tidal.com)

Veillez noter que la haute qualité TIDAL n'est pas prise en charge en mode multipièce. Pour écouter TIDAL en mode multi-pièces, réglez la qualité audio sur Normal à l'aide de l'application Ruark Link.

La gamme de services de musique pris en charge peut changer sans préavis.



## Line in et Optical

Vous pouvez écouter un morceau provenant d'un appareil analogique externe, en le connectant à Line 1 ou 2, ou à un appareil numérique en le connectant à Optical 1 ou 2.

## Tourne-disque

Votre R7 est équipé un préamplificateur de tourne-disque haute fidélité, à utiliser avec une tête de lecture à aimant mobile (MM).

Il n'est pas prévu pour une tête de lecture électrodynamique.

Pour connecter un tourne-disque à votre R7, nous vous recommandons des fils pour tourne-disque de haute qualité.

## Réglage du niveau du volume entrant

Pour que la qualité sonore soit la meilleure possible, nous vous recommandons d'équilibrer le volume d'un appareil externe (ex. système portatif d'écoute de musique ou tourne-disque), afin que son volume soit à peu près identique à celui d'un CD ou USB de l'appareil concerné.

Si le volume est plus bas, augmentez le niveau en entrée.

Si le volume est plus élevé et distorsionné, vous devez le baisser.

---

Pour que la qualité sonore soit la meilleure, nous vous recommandons de régler le volume des appareils externes

---

Vous pouvez régler le niveau en entrée en sélectionnant **MENU> input level** et choisir le niveau souhaité.

-3dB est le niveau le plus faible adapté aux appareils audio dont le volume en sortie est élevé (2 Vrms), notamment un lecteur CD externe.

+6dB est le volume défaut et convient à la plupart des appareils.

### Niveaux Line in

Ceux-ci comprennent les réglages de gain les plus élevés (jusqu'à +24dB) car le niveau des écouteurs peut être assez faible sur certains appareils portatifs.

### Niveau des prises Phono

Elles sont prévues pour fonctionner avec les têtes de lecture à aimants mobiles (MM) les plus courantes ; vérifiez les spécifications de votre têtes et sélectionnez le réglage le plus approprié.

-3dB (6-8mV)

0dB (4-6mV)

+3dB (3-4mV)

+6dB (2-3mV)

Si l'appareil audio externe comporte un bouton de réglage du volume, vous pouvez l'utiliser pour régler le niveau.

## Mise à la Terre

(Éliminer les ronflements et bourdonnements)

Dans certains cas, il se peut que vous entendiez des bourdonnements lorsque vous branchez un appareil audio externe via la prise Line In ou la prise Phono, provenant par exemple d'un appareil branché sur l'alimentation secteur ou alimenté par une prise USB sur votre R7.

Malheureusement, il s'agit d'un problème relativement courant auquel il n'est pas toujours simple de remédier. Cependant, votre R7 est équipé de deux fonctionnalités qui devraient aider à résoudre ce problème.

### Mettez la Line in 1 sur la 2 et la Line in 2 sur la 1.

La Line in 2 est mise à la terre et la Line in 1 ne l'est pas, donc, vous pouvez constater qu'une prise est plus silencieuse que l'autre.

### Utilisez la borne de mise à la terre sur le panneau arrière

Si elle ne fonctionne pas ou si vous utilisez la prise Phono, essayez de relier la Terre de votre appareil externe à la borne de mise à la terre à l'arrière de votre R7.

Pour de plus amples informations, rendez-vous sur [www.ruarkaudio.com/support](http://www.ruarkaudio.com/support)

---

### IMPORTANT

**Veillez retirer le fil d'alimentation de votre R7 avant de connecter à sa borne de masse. Si vous ne savez pas comment connecter la masse de votre appareil externe à la R7, demandez conseil !**

---

## Audio multi-pièces

Cet appareil est entièrement compatible avec le système Audio multi-pièces de Ruark Audio et vous permet d'écouter de la musique sans problème d'une pièce à l'autre.

Pour commencer, vous devez créer un groupe de 6 appareils a maximum, qui joueront tous le même signal audio synchronisé. Après avoir créé un groupe, d'autres appareils peuvent y être ajoutés.

Pour créer un groupe, sélectionnez **MENU> Multi-pièces> Créer nouveau groupe**, saisissez un nom pour le groupe et sélectionnez OK. Dans la liste des autres appareils compatibles trouvés sur votre réseau, vous pouvez sélectionner que 5 appareils maximum rejoignent le groupe, puis appuyez sur **MENU** pour confirmer votre sélection et quitter. Tous les appareils du groupe joueront maintenant la musique de façon synchronisée.

Pour ajouter des appareils au groupe en cours, sélectionnez **MENU> Multi-pièces> Ajouter au groupe**

Pour retirer des appareils du groupe en cours, sélectionnez **MENU> Multi-pièces> Retirer du groupe**

Pour supprimer l'appareil actuel du groupe, sélectionnez **MENU> Multi-pièces> Quitter groupe**

Pour supprimer l'appareil du groupe, sélectionnez **MENU> Multi-pièces> Supprimer groupe** Le groupe est dissous et la musique dans plusieurs pièces s'arrête.

Vous pouvez également configurer et contrôler la musique dans plusieurs pièces à l'aide de l'application Ruark Audio Link. Pour de plus amples informations, rendez-vous sur [www.ruarkaudio.com/support](http://www.ruarkaudio.com/support)

## Contrôle par l'application

Vous pouvez également contrôler votre R7 configurer la musique dans plusieurs pièces à l'aide de l'application Ruark Audio Link. Vous la trouverez sur le magasin d'applications Apple / Android.

Pour de plus amples informations, rendez-vous sur [www.ruarkaudio.com/support](http://www.ruarkaudio.com/support)

### Code PIN d'accès à l'application

Configurer un code PIN pour limiter l'accès à votre R7, afin que seuls des utilisateurs autorisés puissent le contrôler à partir de l'appli. Ruark Audio Link.

**MENU > System > Network > App access PIN.**

## Alarmes, rappel de sonnerie et mode veille

### Régler une alarme

Quand une alarme est allumée, l'icône Alarme est visible et quand l'alarme retentit, l'icône clignote.

Sélectionnez **MENU > Système > Date et heure > Alarmes** et choisissez alarm 1 ou alarm 2 à l'aide du **BOUTON DE COMMANDE**.

Choisissez la fréquence de déclenchement de l'alarme (éteinte, une fois par jour / par semaine, les weekends ou les jours de la semaine), réglez l'heure et choisissez ensuite si l'alarme doit déclencher une station radio, un CD ou une

sonnerie, puis réglez le volume. Pour terminer, sélectionnez *save* pour enregistrer les réglages de l'alarme et quitter le menu de configuration.

REMARQUE : il est impossible de régler l'alarme sur une source Bluetooth/USB, ou un serveur musical en réseau.

### Rappel de sonnerie

Appuyez sur le **BOUTON DE COMMANDE** pour interrompre momentanément une alarme qui sonne, pressez à nouveau le bouton pour augmenter la durée du rappel de sonnerie (5, 10, 15 ou 30 minutes).

Pour annuler une alarme qui sonne ou en mode Rappel de sonnerie, pressez et maintenez le **BOUTON DE COMMANDE** enfoncé pendant deux secondes.

### Mode veille

Pour programmer la durée à laquelle votre R7 passera automatiquement en Standby, sélectionnez **MENU > Système > Date et heure > Mode veille**.

Choisissez la durée en minutes (arrêt, 15, 30, 45, 60 ou 90), puis pressez ensuite ce bouton pour confirmer votre choix. La luminosité de l'écran passe en mode standby. L'écran programme en cours réapparaît, et affiche l'icône de mise en veille.

# Spécifications

## Amplificateurs et transducteurs

2 transducteurs à deux voies de 5.5"  
1 caisson de basses de 8" de long  
1 amplificateur à composants distincts, de catégorie AB, de 180W  
Préamplificateur de tourne-disque à aimant mobile intégré  
Processeur audio numérique numérique amélioré 3D

## Tuner

Tuner DAB, DAB+ et FM, avec RDS  
Prise d'antenne DAB, 75 Ohm, type F

## Lecteur CD

CD, CD-ROM et CD-R/RW  
MP3, WMA, 320 kbit/s maxi

## Audio numérique

Audiophile 32-bit 112dB audio stéréo DAC  
Radio Internet, Spotify Connect, UPnP™ DLNA  
Wi-Fi 802.11b/g prenant en charge la sécurité WEP, WPA & WPA2  
MP3, WMA, AAC, FLAC, WAV  
SBC, AAC, A2DP, aptX, aptX HD Bluetooth

## Prises

1 prise MM phono (RCA)  
2 prises pour fil optique numérique (TOSLINK)  
2 prises Line, RCA  
1 prise Line out, RCA  
1 prise Ethernet (RJ45)  
5W (5V 1A) USB  
Prise casque stéréo 3,5mm

## Puissance

Secteur : 100-120/200-240 V CA 50 – 60Hz  
Fusible : 250V, T 6,3A  
Consommation nominale : 25W  
Consommation en veille : 1,0W

## Dimensions

Sans pieds :  
165 mm (H) × 1 000 mm (l) × 400 mm (p)  
[6.5" (H) × 39.4" (l) × 15.7" (p)]  
Poids (avec pieds) : 27,8 kg (61.3 lbs)

Spécifications et design sujets à toute modification sans préavis  
Certification Digital Tick obtenue à l'aide de l'antenne dipolaire à fil fournie.

# Informations sur la sécurité et la réglementation

- Lisez ce guide de l'utilisateur et suivez toutes les consignes car elles vous aideront à préparer et à utiliser correctement votre produit.
- Tenez compte de tous les avertissements et conservez cet guide de l'utilisateur, afin de pouvoir vous y référer ultérieurement.
- Si l'appareil est endommagé, ne l'utilisez pas car vous pourriez vous électrocuter.
- N'ouvrez pas l'appareil et ne déposez pas les panneaux pour exposer les composants électroniques. Ces composants ne peuvent pas faire l'objet d'un entretien.
- Contacter le personnel de révision qualité en cas de besoins dans ce sens. Une réparation est nécessaire lorsque l'appareil a été endommagé de quelle que façon que ce soit, comme dans les cas de fil d'alimentation ou de prise endommagé(e), de liquide renversé ou d'objets tombés dans l'appareil, d'appareil exposé à la pluie ou à l'humidité, ne fonctionnant pas normalement ou étant tombé.
- SEULES les tensions CA indiquées sur le panneau arrière ou l'alimentation inclue peuvent être utilisées pour faire fonctionner l'appareil. Utiliser l'appareil sur des tensions autres que celles indiquées pourrait entraîner des dégâts irréversibles de l'appareil et annuler sa garantie.
- S'assurer de pouvoir atteindre sans problème la prise secteur murale ou la prise d'alimentation sur l'appareil afin de permettre le débranchement de l'appareil en cas de besoin.
- L'adaptateur secteur, la prise ou la fiche doit être retiré(e) de la prise pour débrancher complètement le système de l'alimentation secteur.
- Ne mettre aucune source de flamme nue, notamment des bougies allumées, sur ou à proximité de l'appareil. Ne pas installer près de sources de chaleur, notamment de radiateurs, de poêles, ou d'autres appareils (notamment les amplificateurs) dégageant de la chaleur.
- Éviter toute exposition au froid ou à une chaleur extrême.
- N'utiliser que les accessoires indiqués pour cet appareil. N'apporter aucune modification au système ni aux accessoires. Toute altération interdite peut compromettre toute conformité en matière de sécurité, en matière de réglementation ainsi que les performances du système.
- N'utiliser que l'antenne fournie ou une pièce de rechange approuvée.
- Afin d'éliminer les risques d'incendie ou d'électrocution, ne pas exposer l'appareil à la pluie ou à l'humidité. Ne pas exposer cet appareil à des égouttements d'eau ou à des éclaboussures et ne pas mettre d'objets remplis d'un liquide quelconque, notamment des vases, sur ou à proximité de l'appareil. Comme dans le cas de tout produit électronique, faire attention de ne pas renverser de liquide sur une pièce du système. Les liquides peuvent provoquer des dysfonctionnements, et / ou entraîner des risques d'incendie.
- Débrancher cet appareil en cas d'orage ou lorsqu'il est inutilisé pendant de longues périodes, afin d'éviter de l'endommager.
- Afin d'éviter tout risque d'incendie ou d'électrocution, éviter de surcharger les prises murales, les rallonges ou les prises multiples.
- Toute exposition à long terme à une musique à fort volume sonore, peut causer des dommages auditifs. Il est préférable d'éviter tout volume extrême lorsque vous utilisez un casque, en particulier pendant de longues périodes.
- Ne pas installer cet appareil dans un espace confiné. Toujours laisser un espace d'au moins 10 cm autour de l'appareil, à titre de ventilation et s'assurer qu'aucun rideau ou autre objet ne recouvre jamais les orifices de ventilation de l'appareil.



**AVIS CONCERNANT LA SÉCURITÉ ET LES PILES BOUTONS AU LITHIUM.** La télécommande contient une pile au lithium qui, en cas d'ingestion, peut causer des brûlures chimiques. Conserver les piles neuves et usagées hors de portée des petits enfants. Si vous pensez que des piles peuvent avoir été ingérées, consultez immédiatement un médecin. Ne pas manipuler de piles endommagées ou sujettes à une ou des fuites. Danger d'explosion si la pile est remplacée de façon incorrecte. Ne remplacer que par le même type ou tout type équivalent.



Cet appareil est étiqueté conformément à la Directive européenne 2012/19/EC concernant le matériel électronique et déchets du domaine électrique. Ce symbole indique que ni le produit ni les piles ne doivent être jetés avec les déchets ménagers. Comme pour tous les équipements électriques, éliminez ce produit au rebut conformément à la réglementation de votre région.



#### INFORMATIONS SUR LA CONFORMITÉ À LA CE

Ce produit est conforme à toutes les conditions requises par la directive de l'UE et en fonction de la loi en vigueur. Vous pouvez obtenir un duplicata de la Déclaration de conformité en contactant votre revendeur, distributeur ou Ruark Audio.

Ruark Audio déclare par la présente que cet appareil est conforme aux obligations essentielles et aux autres dispositions afférentes de la Directive 2014/53 / UE européenne sur les équipements radioélectriques.

Vous pouvez télécharger l'intégralité de la déclaration de conformité à la CE sur le lien [www.ruarkaudio.com/doc/R7mk3doc.pdf](http://www.ruarkaudio.com/doc/R7mk3doc.pdf)

## Détection des pannes

Pour obtenir de l'aide en cas de problème au niveau de l'appareil, consultez la page FAQ (Foire Aux Questions) de notre site Web, rubrique Assistance (support).

Pour de plus amples informations, rendez-vous sur [www.ruarkaudio.com/support](http://www.ruarkaudio.com/support)

## Informations sur la garantie

Nous garantissons ce produit contre tout défaut pendant une période de deux ans à compter de la date d'achat, sous réserve qu'il soit utilisé et entretenu comme il se doit. Tout dysfonctionnement du produit résultant de dommages accidentels (quelle qu'en soit la cause), d'une usure excessive, d'une négligence ou de modifications non autorisées annulera la garantie.

En cas de problèmes, veuillez nous contacter via notre site Internet [www.ruarkaudio.com](http://www.ruarkaudio.com) ou par téléphone en composant le +44 (0) 1702 601410 afin que nous puissions vous informer de la marche à suivre. Si vous devez rendre le produit, emballez-le dans son emballage d'origine accompagné de la preuve de votre achat (reçu, ticket etc.). S'il ne vous est pas possible de rapporter le produit en personne, renvoyez-le en port prépayé via une entreprise fiable de transport. Si vous vous êtes débarrassé de l'emballage d'origine, vous pourrez vous en procurer un neuf auprès de nos services.

## Garantie des produits achetés en outremer

Le distributeur dans le pays d'achat garantit les produits achetés en dehors du Royaume-Uni. Pour de plus amples détails, veuillez contacter votre distributeur ou revendeur Ruark.

LA PRÉSENTE GARANTIE NE MODIFIE NI NE SUPPRIME EN AUCUN CAS LES DROITS STATUTAIRES DE L'ACHETEUR. ERREURS ET OMISSIONS EXCEPTÉES.

# ruarkaudio

59 Tailors Court, Temple Farm Industrial Estate,  
Southend on Sea, Essex, SS2 5TH, UK  
+44 (0) 1702 601 410 [www.ruarkaudio.com](http://www.ruarkaudio.com)

## Consignes générales d'entretien

Nettoyez l'appareil à l'aide d'un chiffon non pelucheux ou d'un chiffon légèrement humide. Ne pulvérisiez pas de dépolissant à la cire ou d'autres substances sur l'appareil, au risque d'en affecter la finition ou les performances.

N'exposez pas l'appareil aux rayons directs du soleil ni à des niveaux d'humidité, de poussière, de vibration ou de température extrêmes car ils risqueraient d'affecter la finition, les performances et la fiabilité de l'appareil.

La plage conseillée de températures de service est de 5 à 40° C.

Les caissons en bois naturel verront leur apparence changer, s'éclaircir ou s'assombrir avec l'âge, en particulier s'ils sont exposés au soleil.

## Droits d'auteur et marques commerciales

© 2018 Ruark Audio. Tous droits réservés Ruark Audio, le logo Ruark Audio et autres marques Ruark Audio sont détenus par Ruark Audio et peuvent être déposés. Toutes les autres marques commerciales sont détenues par leur propriétaire respectif. Ruark Audio n'est pas responsable des erreurs qui pourraient figurer dans ce manuel, et les informations contenues dans ce manuel sont susceptibles d'être modifiées sans préavis.

Bluetooth® et les logos associés sont des marques déposées, détenues par Bluetooth SIG, Inc.

Qualcomm aptX et aptX HD sont des produits de Qualcomm Technologies International, Ltd.

Le logiciel Spotify est soumis à des licences tierces que vous trouverez ici : [www.spotify.com/connect/third-party-licenses](http://www.spotify.com/connect/third-party-licenses)

Toutes les autres marques commerciales sont détenues par leur propriétaire respectif.

Conçu en  
Grande-Bretagne



20190430.1





High Fidelity Radiogram  
R7 mk3

User guide	EN
Brugervejledning	DA
Bedienungsanleitung	DE
Guía del usuario	ES
Guide de l'utilisateur	FR
<b>Manuale dell'utente</b>	<b>IT</b>
Gebruikershandleiding	NL
Brukerveiledning	NO

ruarkaudio

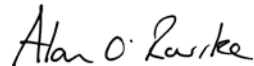
Grazie per aver scelto il nostro grammofono ad alta fedeltà R7 mk3.

Ispiratosi al design classico di metà secolo, il dispositivo R7 è un'evoluzione del nostro originale design iconico e grazie al suo meraviglioso aspetto e alla straordinaria qualità audio siamo certi che riscoprirete di nuovo tutto il piacere della musica.

Vi consigliamo di dedicare del tempo alla lettura di questo manuale dell'utente perché vi aiuterà a utilizzare al meglio il vostro R7.

Con la dovuta cura siamo sicuri che il dispositivo R7 vi garantirà molti anni di piacevole ascolto e per qualsiasi bisogno o consiglio non esitate a contattarci. Quale azienda britannica a conduzione familiare, siamo orgogliosi del servizio di assistenza clienti fornito e ci impegniamo a supportarvi sempre al meglio.

Vi ringraziamo nuovamente per aver scelto Ruark Audio.

A handwritten signature in black ink that reads "Alan O'Rourke". The signature is written in a cursive, slightly slanted style.

Alan O'Rourke  
Fondatore e amministratore delegato

# Indice

Contenuto della confezione	4	Servizi di streaming musicale	25
Comandi	5	Ingressi Line in e optical	26
Panoramica	6	Phono	26
Montaggio di gambe o piedini	7	Livelli in entrata	26
Per iniziare	8	Multi-room	27
Funzioni comuni	10	Controllo app	28
Impostazioni di sistema	13	Sveglia, snooze e spegnimento	28
Radio FM	15	Specifiche	29
Radio DAB	16	Sicurezza e informazioni normative	30
Radio su Internet	17	Risoluzione dei guasti	31
Lettore CD	19	Informazioni sulla garanzia	32
Bluetooth	20	Manutenzione generale	32
Lettore musicale	22	Copyright e marchi	32
Streaming mediale DLNA	24		

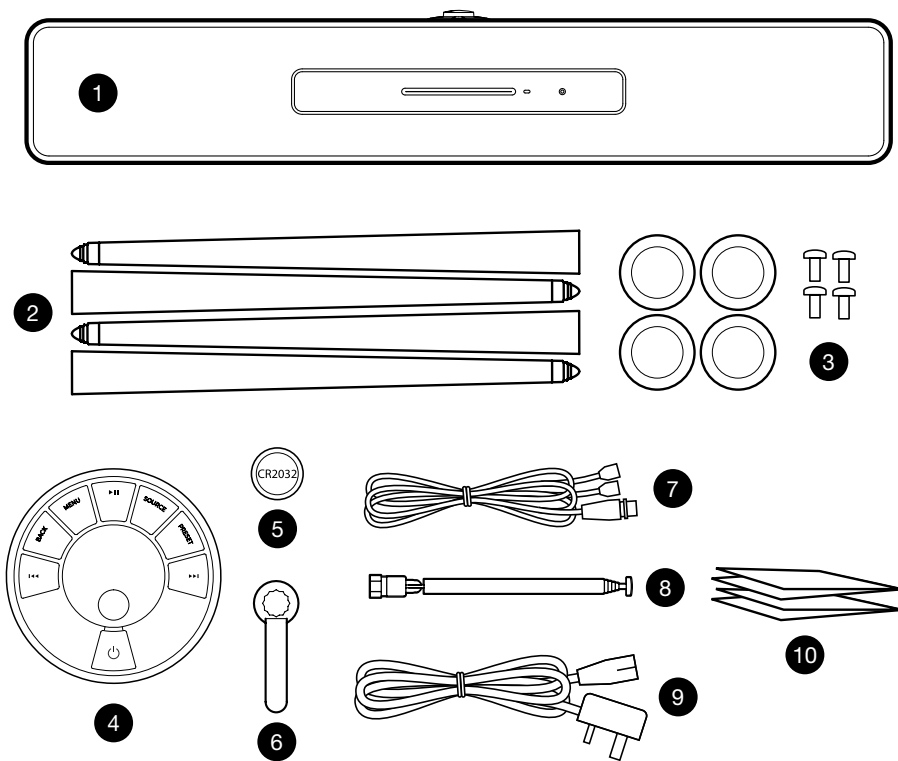
# Contenuto della confezione

Accertarsi che la confezione contenga tutti i componenti sotto elencati.

In caso di componenti mancanti non utilizzate il dispositivo R7 ma contattateci direttamente se il prodotto è stato acquistato nel Regno Unito oppure contattate il vostro rivenditore Ruark Audio di zona se il prodotto è stato acquistato al di fuori del Regno Unito.

1. R7
2. Quattro gambe affusolate
3. Quattro piedini e viti di fissaggio
4. Telecomando
5. Batteria del telecomando (CR2032)
6. Chiave dell'antenna
7. Antenna a filo
8. Antenna telescopica
9. Cavo di alimentazione di rete
10. Manuale dell'utente e altri documenti

Se possibile, conservare il cartone e tutti i materiali di imballaggio.



# Comandi

I comandi del dispositivo R7 sono esattamente gli stessi di quelli presenti sul telecomando.

11.  – **STAND-BY**

12. **MANOPOLA DI CONTROLLO / SELECT**

Ruotare per regolare il volume in una videata di riproduzione in corso

Ruotare per scorrere menu, brani o elenchi delle stazioni\*

Premere per **SELEZIONARE**

13. **▶▶I** – premere per passare alla stazione o al brano successivo, premere e tenere premuto per l'avanzamento veloce

14. **I◀◀** – premere per passare alla stazione o al brano precedente, premere e tenere premuto per il riavvolgimento

15. **PRESET** – premere per richiamare una stazione salvata oppure premere e tenere premuto per due secondi per salvare una stazione radio

16. **SOURCE** – premere per cambiare sorgente audio

17. **▶II** – premere per riprodurre/mettere in pausa un brano oppure silenziare gli ingressi audio e la radio

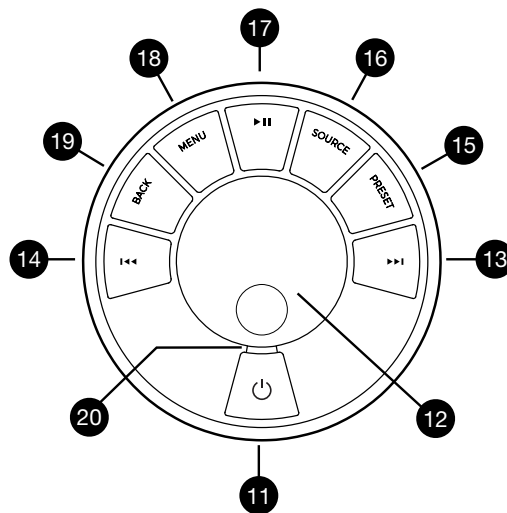
18. **MENU** – premere per visualizzare il menu

19. **BACK** – premere per tornare alla schermata precedente di menu o elenco

20. **SPIA**

Sul dispositivo R7 indica che il sistema musicale è acceso e lampeggia quando il Bluetooth è pronto per la sincronizzazione oppure quando si utilizza il telecomando.

Sul telecomando lampeggia quando si preme un tasto, quando si utilizza la manopola di controllo e quando la batteria è scarica, la spia passa dal blu al color ambra.



\*È possibile premere anche **▶▶I** o **I◀◀** per scorrere menu, brani o elenchi delle stazioni

---

*Importanza della durata di pressione di un tasto*

*Premere = sfiorare o premere e lasciare immediatamente*

*Premere e tenere premuto = premere e rilasciare dopo due secondi*

---

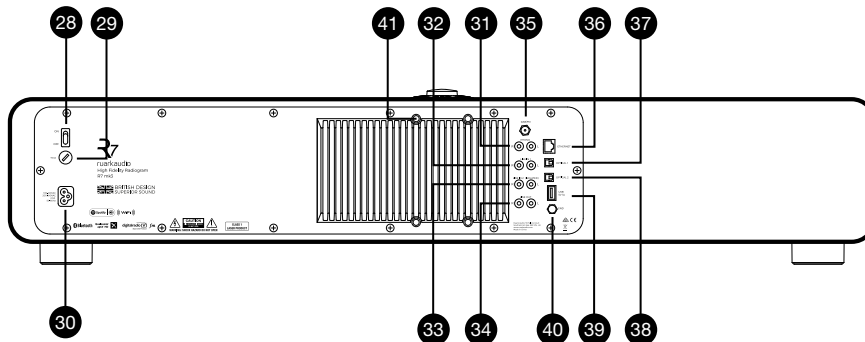
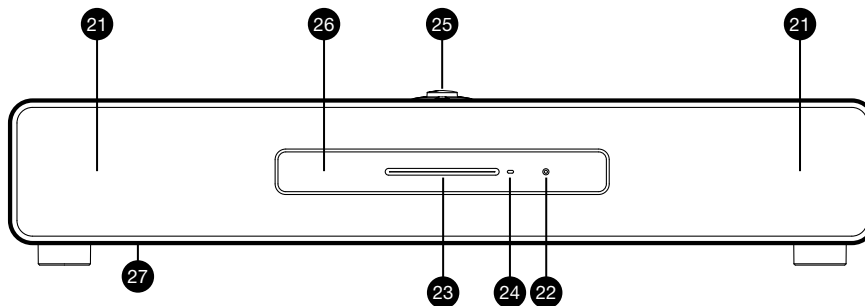
# Panoramica

## Parte anteriore

- 21. Doppia driver concentrici stereo
- 22. Uscita cuffie (jack da 3,5mm)
- 23. Slot per caricamento CD
- 24. Pulsante di eiezione CD
- 25. Comandi
- 26. Display OLED
- 27. Subwoofer

## Retro

- 28. Interruttore di alimentazione di rete
- 29. Fusibile alimentazione di rete
- 30. Ingresso cavo di alimentazione di rete
- 31. Ingresso phono
- 32. Line in 1
- 33. Line in 2
- 34. Line out
- 35. Antenna DAB-FM
- 36. Ethernet
- 37. Ingresso Optical 1
- 38. Ingresso Optical 2
- 39. USB
- 40. Terminale di messa a terra
- 41. Punti di fissaggio per montaggio AV (4 x M8)



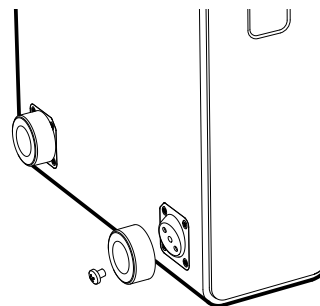
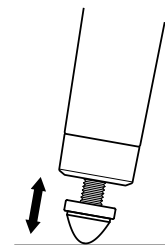
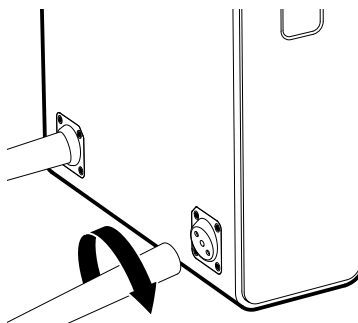
## Montaggio di gambe o piedini

**È consigliabile chiedere aiuto per spostare il dispositivo R7 perché è pesante e si danneggia facilmente!**

Rimuovere con cautela il dispositivo R7 dalla sua custodia protettiva e posizionarlo su un fianco sopra ad una superficie stabile, pulita e che non si graffi come un tappeto o la custodia stessa.

Per il montaggio del dispositivo R7 su gambe, avvitare le quattro gambe alle piastre di montaggio sotto al dispositivo e serrare a mano ciascuna gamba in modo che sia ben salda prestando però attenzione a non serrare eccessivamente. Spostare con cautela il dispositivo R7 nella sua posizione finale e, se necessario, regolare le estremità delle gambe in modo che siano completamente stabili.

Per il montaggio del dispositivo R7 su piedini, sistemare un piedino su ciascuna delle quattro piastre di montaggio sotto al dispositivo verificandone il corretto allineamento. Utilizzare un apposito cacciavite per fissarli con le viti in dotazione. Girare con cautela il dispositivo R7 e posizionarlo su una superficie sufficientemente resistente e sicura.



---

*Prestare attenzione a non danneggiare le griglie dell'altoparlante quando si sposta il dispositivo R7.*

---



---

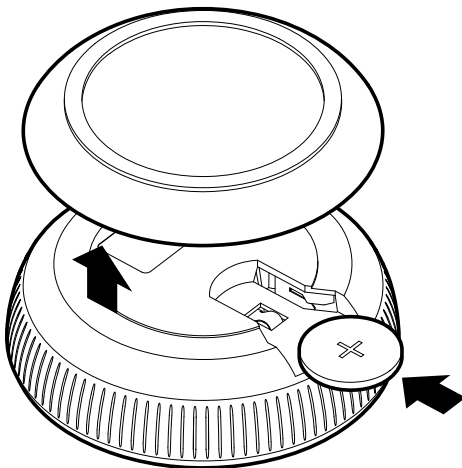
*Il dispositivo R7 è pesante e se maneggiato incautamente può causare danni o lesioni personali.*

---

# Per iniziare

## 1 Rimozione della batteria

Rimuovere delicatamente la base magnetica in acciaio e con il telecomando a faccia in giù, inserire la batteria (tipo CR2032) nel relativo alloggiamento accertandosi che il lato piatto contrassegnato con + sia rivolto verso l'alto. Rimontare la base in acciaio.



---

*Si noti che è possibile che il telecomando non funzioni se prima non è stato sintonizzato con il sistema principale (ved. punto 6).*

---

## 2 Collegamento dell'antenna

Collegare l'antenna a filo o l'antenna telescopica alla presa per antenna DAB/FM presente sul retro del dispositivo R7 e serrarla delicatamente utilizzando la chiave in dotazione. Utilizzare l'antenna che meglio soddisfa le proprie esigenze sebbene per una ricezione ottimale consigliamo vivamente di utilizzare un'antenna esterna installata in modo professionale.

## 3 Collegamento alla rete CA

Collegare il cavo di alimentazione di rete alla presa elettrica di rete presente sul retro del sistema musicale e quindi collegarlo ad un'uscita di rete CA.

## 4 Accensione

Portare l'interruttore di alimentazione di rete presente sul retro del sistema musicale in posizione ON. Ora il dispositivo R7 si trova in modalità stand-by.

Per accendere il dispositivo R7, premere **STANDBY** sui comandi del dispositivo e sullo schermo comparirà il logo R7.





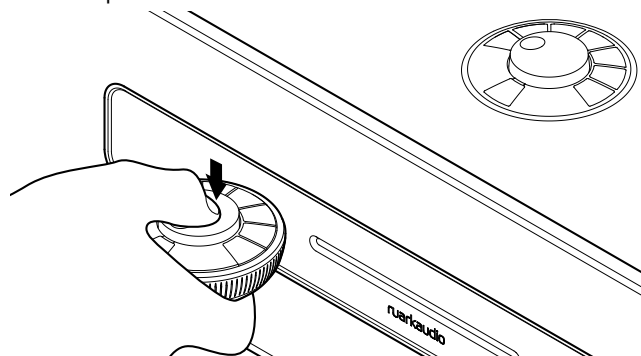
## 5 Selezione della lingua

Ruotare la **MANOPOLA DI CONTROLLO** fino a evidenziare l'opzione scelta quindi premere **SELECT**.



## 6 Sintonizzazione del telecomando

Quando viene chiesto di sincronizzare il telecomando, tenerlo vicinissimo al display e premere **SELECT** finché non vedete "Remote paired".



Premere **SELECT** per continuare.

In genere non è necessario risincronizzarlo, ma se così fosse basta tenerlo vicinissimo allo schermo e premere e tenere premuto un tasto qualsiasi finché non compare il messaggio di conferma. Lo si può fare in qualsiasi modalità.

## 7 Wizard di impostazione

Quando si accende il dispositivo R7 per la prima volta, il wizard di impostazione aiuta a configurare l'orologio e a collegarsi alla propria rete.



Per avviare il wizard di impostazione, ruotare la **MANOPOLA DI CONTROLLO** per evidenziare **YES** quindi premere la manopola per **SELEZIONARE**. Scegliendo l'opzione **NO**, il dispositivo R7 si avvia senza configurare la data/l'ora né le impostazioni di rete.

## 8 Selezione di una sorgente

Al termine della configurazione, il dispositivo R7 visualizzerà un menu contenente un elenco delle sorgenti disponibili. Utilizzare la **MANOPOLA DI CONTROLLO** per scegliere una sorgente e premere **SELECT**.

## 9 Godetevi la musica!

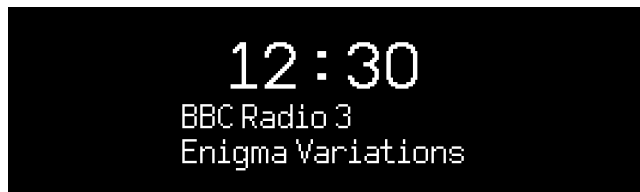
## Funzioni comuni

### Accensione e passaggio in stand-by

Premere **STANDBY** per accendere il sistema musicale.  
Premere nuovamente per passare in stand-by.

### Videate in corso di riproduzione

A meno che non si stia regolando un'impostazione, la videata apparirà simile all'esempio riportato di seguito, con le informazioni relative all'orologio sopra e alla stazione/brano/album/artista sotto.

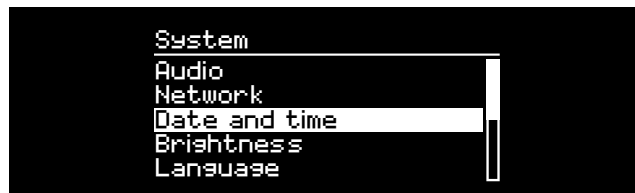


Le icone a video qui sotto compaiono quando le loro rispettive funzioni sono attive.



## Videate dei menu

I menu consentono di impostare le varie opzioni come ad esempio la regolazione bass e treble. Per modificare un'impostazione premere **MENU** per visualizzare un elenco delle opzioni disponibili, ruotare la **MANOPOLA DI CONTROLLO** per evidenziare quella da modificare e premere la manopola per confermare la selezione.



### Scorrimento di menu, brani ed elenchi delle stazioni

Per modificare le impostazioni – premere **MENU**

Per scorrere le opzioni – ruotare la **MANOPOLA DI CONTROLLO**

Per selezionare un'opzione – premere la **MANOPOLA DI CONTROLLO**

Per uscire dal menu – premere **MENU** oppure attendere alcuni secondi

Per tornare al menu/all'elenco precedente – premere **BACK**

---

*Importanza della durata di pressione di un tasto*  
*Premere = sfiorare o premere e lasciare immediatamente*  
*Premere e tenere premuto = premere e rilasciare dopo due secondi*

---

## Regolazione del volume

Ruotare la **MANOPOLA DI CONTROLLO** da una qualsiasi videata in corso di riproduzione.

Il volume degli altoparlanti e quello delle cuffie si regolano separatamente per cui quando le cuffie sono collegate il volume viene mostrato come *Volume (HP)*.

NOTA: ruotando la **MANOPOLA DI CONTROLLO** quando è visualizzato un menu o elenco di brani/stazioni è possibile scorrere il menu ma non modificare il volume.

## Cambio di una sorgente audio

Premere **SOURCE** per visualizzare la sorgente corrente, ruotare la **MANOPOLA DI CONTROLLO** per scorrere l'elenco di sorgenti, quindi premere la manopola per selezionare quella visualizzata al momento. (È possibile inoltre premere più volte **SOURCE** in modo da scorrere l'elenco di sorgenti anziché ruotare la manopola.)



## Multi-room

Questo dispositivo è perfettamente compatibile con il sistema Ruark Audio multi-room e consente di trasmettere senza problemi la musica da una stanza ad un'altra. Per maggiori dettagli vedere la sezione "Multi-room".

## Pausa di un brano o silenziamento dell'audio

Premere ►|| e poi premere nuovamente per riprendere l'ascolto.

## Brano successivo/precedente

Premere ►► per passare al brano successivo nella cartella o nell'album, premere ◀◀ per passare all'inizio del brano corrente, premere nuovamente per passare al brano precedente.

## Avanti veloce o riavvolgimento brano

Premere e tenere premuto ►► o ◀◀ (potrebbe non funzionare con Bluetooth).

## Cambio di una stazione radio FM

Premere ►► o ◀◀ per cercare la stazione successiva o precedente. Per maggiori dettagli ved. la sezione "FM".

## Cambio di una stazione radio DAB

Premere ►► o ◀◀ per sintonizzarsi sulla stazione successiva o precedente.

È inoltre possibile visualizzare l'elenco delle stazioni multilinea selezionando **MENU > Station list**.

Per maggiori dettagli ved. la sezione "DAB".

## Informazioni sulla stazione o sul brano

Per modificare le informazioni sulla stazione/sul brano visualizzato, selezionare un'opzione da **MENU > Info**.

---

*Per tornare al livello di menu precedente o all'elenco delle stazioni premere BACK*

---

## Salvataggio di una stazione radio preimpostata

Premere e tenere premuto **PRESET** fin quando non compare "Save preset" quindi ruotare la **MANOPOLA DI CONTROLLO** per scegliere il numero della preimpostazione e premere la manopola per salvare la stazione corrente. Le preimpostazioni sono contrassegnate con il nome della stazione, con la frequenza oppure come "[Not set]".



In caso di salvataggio di una stazione su una preimpostazione già esistente, quest'ultima verrà sostituita dalla nuova stazione.

## Richiamo di una stazione radio preimpostata

Premere **PRESET**, ruotare la **MANOPOLA DI CONTROLLO** per scorrere l'elenco delle stazioni preimpostate, quindi premere la manopola per selezionare una stazione.



## Collegamento di un dispositivo Bluetooth

Quando si modifica la sorgente in Bluetooth, il dispositivo R7 tenterà automaticamente di collegarsi all'ultimo dispositivo collegato. Se il dispositivo non è stato ancora sincronizzato o se non è disponibile il dispositivo precedente, il dispositivo R/ entrerà in modalità di sincronizzazione. Per maggiori dettagli vedere la sezione "Bluetooth".

## Cuffie

Collegare le cuffie alla presa jack stereo da 3,5 mm sulla parte anteriore del dispositivo R7.

Il volume delle cuffie si regola in modo indipendente da quello degli altoparlanti, per cui quando le cuffie sono collegate il volume viene mostrato come *Volume (HP)*.

## Ricarica USB

La presa USB del dispositivo R7 è tarata a 5W (5V 1,0A) ed è in grado di alimentare la maggior parte dei dispositivi smart e degli accessori con alimentazione USB.

---

Si osservi che: **MENU > System > Audio** significa premere **MENU**, selezionare **System** e infine selezionare **Audio**

---

# Impostazioni di sistema

## Bassi, alti e sub

**MENU > System > Audio > Bass, Treble or Sub level**

Regolare i livelli di bass e treble utilizzando la **MANOPOLA DI CONTROLLO** quindi premerla per salvare l'impostazione.

## Intensità

L'intensità porta automaticamente le frequenze treble e bass a volumi più bassi.

**MENU > System > Audio > Loudness**

## Suono 3D

3D amplia il livello acustico stereo e crea un suono più avvolgente e coinvolgente.

**MENU > System > Audio > 3D**

## Data e ora

**MENU > System > Date and time**

La data e l'ora si sincronizzano automaticamente con il segnale orario nazionale trasmesso da DAB, rete ed FM (la sincronizzazione FM potrebbe non essere sempre disponibile).

Inoltre, è possibile impostare l'ora manualmente disattivando l'aggiornamento automatico e modificando il formato di data e ora.

## Luminosità del display

**MENU > System > Brightness**

È possibile regolare in modo indipendente la luminosità del

display quando il dispositivo R7 è acceso e quando è in modalità stand-by.

Quando si imposta la luminosità su 0 il display si spegne automaticamente dopo qualche secondo. Il display si illumina poi brevemente ogniqualvolta si preme un tasto qualsiasi.

È inoltre possibile regolare la luminosità in stand-by quando il dispositivo R7 si trova in modalità stand-by premendo ►►► o ◀◀◀.

## Language

**MENU > System > Language**

Consente di aggiornare la lingua del menu.

## Aggiornamento software

**MENU > System > Software update**

Il dispositivo R7 è impostato in modo da verificare automaticamente gli aggiornamenti software. Se è disponibile un aggiornamento, chiederà all'utente se desidera scaricarlo e installarlo.

**ATTENZIONE:** l'interruzione dell'alimentazione elettrica durante un aggiornamento software potrebbe provocare danni permanenti al dispositivo R7.

## Reset di fabbrica

**MENU > System > Factory reset**

Resetta tutte le impostazioni e annulla le preimpostazioni.

---

*Le impostazioni correnti salvate sono segnalate con un asterisco (\*)*

---

## Wizard di impostazione

### **MENU > System > Setup wizard**

Esegue il wizard di impostazione per l'impostazione guidata dell'orologio e della rete.

## Stand-by inattivo

Il dispositivo R7 è impostato in modo da passare automaticamente in modalità stand-by in assenza di audio per più di 20 minuti. Per modificare l'impostazione, selezionare

**MENU > System > Inactive standby.**

## Wizard di rete

Per la procedura guidata di collegamento a una rete, selezionare **MENU > System > Network > Network wizard.**

## Profili di rete

Il dispositivo R7 tenterà automaticamente di connettersi a qualsiasi rete a cui sia stato collegato in precedenza.

Per visualizzare un elenco delle reti salvate, selezionare **MENU > System > Network > Network profile.** Per cancellare una rete indesiderata, evidenziarla, premere la **MANOPOLA DI CONTROLLO** e selezionare **YES.**

## Mantenimento della connessione

### **MENU > System > Network > Keep connected**

Selezionare la connessione costante del dispositivo R7 alla propria rete, anche in stand-by (default). Si consiglia di impostare *Keep connected* in modo da garantire l'accesso continuo del dispositivo R7 con Spotify o streaming musicale DLNA. Questa configurazione è raccomandata in caso di impostazione dell'aggiornamento dell'orologio dalla rete.

## Dati di sistema

Mostra i dati del dispositivo R7 tra cui versione software, codice ID radio unico e nome comune.

## Impostazioni di rete avanzate

Esistono altre impostazioni di rete avanzate destinate ad utenti esperti per la configurazione manuale e la diagnostica nonché per la risoluzione di problemi di rete.

## Nome comune

Il nome comune è il modo in cui il dispositivo R7 appare su reti, Spotify e Bluetooth. È possibile modificarlo rendendolo più descrittivo come ad esempio "R7 di Archie" o "R7 salotto".

È possibile visualizzare lo status del dispositivo R7 e modificarne il nome comune visualizzando la relativa pagina web in un browser. In Windows, il dispositivo R7 sarà generalmente indicato come dispositivo multimediale; facendo doppio clic sull'icona si apre la pagina di configurazione nel browser.

Per maggiori informazioni visitare il sito [www.ruarkaudio.com/support](http://www.ruarkaudio.com/support)

## Radio FM

Quando si ascolta la radio FM, il dispositivo R7 visualizza il nome della stazione e, quando disponibili, altre informazioni sul programma RDS/RBDS\*.

\*Radio Data System/Radio Broadcast Data System



### Cambio di stazione

Premere ►► o ◄◄ per sintonizzarsi automaticamente sulla successiva stazione FM disponibile. In assenza di informazioni RDS/RBDS verrà invece visualizzata la frequenza.



### Impostazioni di scansione

È possibile modificare l'impostazione della scansione in modo che il dispositivo si sintonizzi esclusivamente su stazioni con un segnale forte. A questo scopo selezionare **Menu > Scan setting > Strong stations only**.

## Informazioni sui programmi

Dal testo radio scegliere il tipo di programma, la frequenza, la potenza del segnale e la data selezionando **MENU > Info**.

### Sintonizzazione manuale

Selezionare **MENU > Manual tune** quindi ruotare la **MANOPOLA DI CONTROLLO** oppure premere ►► o ◄◄ per modificare la frequenza.

### Salvataggio di una preimpostazione

È possibile memorizzare fino a 10 stazioni FM nell'elenco delle preimpostazioni. Il nome della stazione sarà memorizzato soltanto quando è disponibile RDS/RBDS. Vedere la sezione "Funzioni comuni".

### Richiamo di una preimpostazione

Vedere la sezione "Funzioni comuni".

### Mono

Man mano che il segnale FM diventa più debole, aumenta il fruscio. Per ridurlo, selezionare **Menu > Mono**.

---

*Per ridurre ulteriormente il fischio su stazioni con ricezione debole si consiglia di DISATTIVARE il suono 3D*

---

# Radio DAB

Quando si ascolta la radio DAB/DAB+, il dispositivo R7 visualizza il nome della stazione e, quando disponibili, altre informazioni sul programma DLS\*.

La prima volta che si utilizza il dispositivo R7 o se l'elenco delle stazioni è vuoto il dispositivo eseguirà automaticamente una scansione completa alla ricerca di stazioni disponibili.

\**Dynamic Label Segment*

## Cambio di stazione

Premere ►► o ◀◀ per sintonizzarsi sulla stazione successiva o precedente.

## Elenco delle stazioni

Per visualizzare un elenco di stazioni DAB disponibili selezionare **MENU > Station list** oppure premere ►► o ◀◀. Evidenziare la stazione che si desidera ascoltare e premere **SELECT**.



## Informazioni sui programmi

Scegliere dal testo radio il tipo di programma, la potenza del segnale, il formato del segnale e la data selezionando **MENU > Info**.

## Salvataggio di una preimpostazione

È possibile memorizzare fino a 10 stazioni DAB nell'elenco delle preimpostazioni. Vedere la sezione "Funzioni comuni".

## Richiamo di una preimpostazione

Vedere la sezione "Funzioni comuni".

## Dispositivi secondari

Alcune stazioni radio DAB presentano una o più stazioni secondarie ad esse associate. In caso di disponibilità di una stazione secondaria dopo il nome della stazione in uso nell'elenco delle stazioni comparirà il segno ">>".

Le stazioni secondarie sono contrassegnate dal simbolo "<<" prima del nome della stazione.

## Ordine delle stazioni

L'elenco delle stazioni DAB può essere ordinato come *Alphanumeric*, *Ensemble* o *Valid*. *Alphanumeric* pone le stazioni in ordine alfabetico, *Ensemble* le raggruppa in base all'emittente, *Valid* mostra prima le stazioni disponibili e pone quelle non valide (con il simbolo '?') in posizioni secondarie.

Per modificare l'ordine delle stazioni selezionare **Menu > Station order** e **Alphanumeric** (predefinito), **Ensemble** o **Valid**.

---

*Le stazioni o non valide presentano un segno "?" davanti al nome della stazione.*

---



## Scansione delle stazioni

Se l'elenco delle stazioni è vuoto la radio eseguirà automaticamente una scansione completa non appena si passa a DAB.

In ogni caso raccomandiamo di eseguire ogni tanto una scansione completa per aggiornare l'elenco delle stazioni dal momento che:

- A volte diventano disponibili nuove stazioni
- Le stazioni chiudono o non vengono più ricevute
- La ricezione era scarsa durante la scansione originale (ad esempio non era stata montata correttamente l'antenna)
- La radio è stata portata in un paese diverso

Per eseguire una scansione completa selezionare **MENU > Scan**.

## Eliminazione di stazioni con ricezione debole o non valide

Stazioni con ricezione debole (brontolio) o non valide presentano un segno “?” davanti al nome della stazione e possono essere rimosse selezionando **MENU > Prune invalid**.

## Radio su Internet

Il dispositivo R7 può riprodurre migliaia di stazioni radio su internet e podcast da tutto il mondo (necessaria la connessione a internet).

### Menu principale

La prima volta che si ascolta una radio su internet comparirà il menu principale di questa modalità.



Se si ha già ascoltato stazioni radio su internet con il proprio dispositivo R7, questo riprodurrà automaticamente l'ultima stazione ascoltata.

### Ultima stazione ascoltata

Per accedere ad un elenco di stazioni recentemente ascoltate selezionare **MENU > Last listened**.

Quando si utilizza il dispositivo R7 per la prima volta l'elenco è vuoto.

### Elenco delle stazioni

È possibile scorrere o cercare l'elenco completo delle stazioni selezionando **MENU > Station list** e scegliendo tra varie opzioni, tra cui genere, ubicazione e popolarità.

## Informazioni sulla riproduzione in corso

Il nome della stazione viene mostrato insieme a informazioni aggiuntive quali il nome dell'artista o il titolo del brano. Per modificare la visualizzazione, selezionare **MENU > Info** e selezionare genere, qualità del segnale, titolo del brano, ubicazione e data dal testo radio.

## Ricerca di una stazione

Cercare una stazione selezionando **MENU > Station list > Stations > Search stations** e e poi inserendo il nome della stazione che si sta cercando.

## Podcast

Molte stazioni dispongono di podcast associati che si possono sfogliare e cercare proprio come le stazioni radio su internet.

## Silenziamento

Premere **▶||** per silenziare quindi premere nuovamente per riprendere l'ascolto.

## Salvataggio di una preimpostazione

È possibile memorizzare fino a 10 stazioni Internet nell'elenco delle preimpostazioni. Vedere la sezione "Funzioni comuni".

## Richiamo di una preimpostazione

Vedere la sezione "Funzioni comuni".

## Portale radio Ruark

Oltre alle preimpostazioni, una *radio su internet* prevede altre due modalità di memorizzazione e organizzazione delle stazioni radio preferite utilizzando il portale radio Ruark online.

Per maggiori informazioni visitare il sito **www.ruarkaudio.com/radiportal**.

Sarà necessario il codice di accesso unico del portale della radio, che è quindi consigliabile annotare selezionando **Menu > Station list > Help > Get access code**.

## Preferiti

Questa funzionalità è simile alla memorizzazione delle preimpostazioni, ma le stazioni sono memorizzate online sul portale radio Ruark. Ciò significa che le stazioni preferite salvate sono accessibili da qualsiasi radio su internet Ruark registrato sul medesimo account.

Per memorizzare una stazione tra i preferiti, premere e tenere premuta la **MANOPOLA DI CONTROLLO** fino a visualizzare *Favourite added*. La funzione è disponibile solo se il dispositivo R7 è stato registrato sul portale radio.

## Aggiunta stazioni

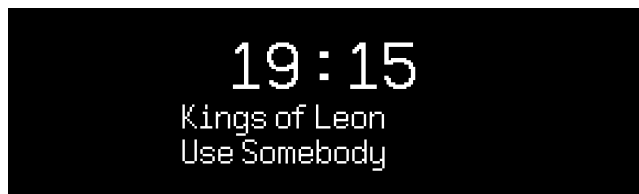
Si possono aggiungere manualmente le stazioni non inserite nell'elenco visitando il portale radio Ruark online. Le stazioni aggiunte in questo modo sono accessibili selezionando **MENU > Station list > My added stations**.

## Letttore CD

Per inserire un CD, inserirlo delicatamente nello slot per CD. Una volta caricato si avvierà automaticamente.

### Informazioni sulla riproduzione in corso

Generalmente sui CD audio sono indicati la durata e il numero del brano mentre sui CD MP3 sono riportati il nome del brano e dell'album.



Per modificare ciò che è visualizzato selezionare **MENU > Info** e scegliere tra le informazioni relative all'album e all'artista, la barra di avanzamento o il nome del file (le opzioni varieranno a seconda del tipo di CD).

### Riproduzione / Pausa

Premere ►|| per riprodurre o mettere in pausa un brano

### Interruzione della riproduzione

Premere a lungo ►||

### Salto di un brano

Premere ►►I o I◄◄ per saltare al brano successivo o precedente

### Avanzamento veloce o riavvolgimento

Premere e tenere premuto ►►I o I◄◄ per avanzare velocemente o riavvolgere

### Espulsione

Premere il pulsante di espulsione accanto allo slot per CD

### Riproduzione casuale

Per riprodurre brani in ordine casuale selezionare

**MENU > Shuffle > On**

### Ripetizione

Per ripetere un solo brano o tutti i brani selezionare

**MENU > Repeat > One oppure All**

---

*Qualsiasi struttura a cartella presente su dischi MP3/WMA/AAC verrà ignorata e tutti i brani verranno mostrati in un unico elenco*

*Non è possibile riprodurre dischi WMA e AAC protetti da diritti*

---

## Bluetooth

Il dispositivo R7 supporta la tecnologia aptX per lo streaming della qualità di un CD e la tecnologia aptX HD per uno streaming ad alta risoluzione a 24 bit. Ciò significa che si conatterà al proprio dispositivo bluetooth utilizzando la connessione di qualità più elevata supportata dal dispositivo.

### Sincronizzazione del dispositivo Bluetooth

Dopo avere modificato la sorgente in Bluetooth, attendere che compaia la dicitura *Awaiting connection...* e che la spia luminosa in alto lampeggi.

Utilizzare l'impostazione Bluetooth del proprio smart device per sincronizzarlo e connetterlo al dispositivo R7. Comparirà nell'elenco dei dispositivi sincronizzati come *Ruark R7\**. Dopo la connessione, sarà visualizzato *BT Connected + nome del dispositivo* (per es. telefono di Archie).

Potrebbero trascorre alcuni secondi prima che il dispositivo R7 compaia nell'elenco sul proprio dispositivo e in alcuni casi potrebbe essere necessario digitare "0000" come password di sincronizzazione.

In caso di mancata connessione entro qualche minuto, il dispositivo R7 interromperà i tentativi di connessione e visualizzerà *No connection*. Per collegarsi selezionare **MENU** > **Connect device**.

### Collegamento del dispositivo Bluetooth

Appena passato in modalità Bluetooth, il dispositivo R7 visualizzerà *Connecting* per indicare il tentativo di connettersi

all'ultimo dispositivo con cui è stato sincronizzato.

Se tale dispositivo non è disponibile, verrà visualizzato *Awaiting connection...* Per connettersi al dispositivo R7, verificare di aver attivato la funzione Bluetooth del proprio dispositivo e selezionare *Ruark R7\** dall'elenco dei dispositivi sincronizzati sul proprio dispositivo Bluetooth.

### Nome comune

\*Il dispositivo R7 viene visualizzato come Ruark R7 sui dispositivi Bluetooth, tuttavia, è possibile sostituire tale denominazione con una più descrittiva, come "R7 di Archie" o "R7 soggiorno". Ved. "System settings".

### Riproduzione audio

Una volta connesso, l'audio prodotto dal dispositivo Bluetooth verrà riprodotto dal dispositivo R7. Per maggiori informazioni sulla riproduzione audio dal dispositivo Bluetooth consultare la documentazione del proprio dispositivo.

NOTA: potrebbe essere necessario selezionare Ruark R7 o Bluetooth come uscita audio sul proprio dispositivo.

### Brano in pausa

Premere **▶||** e poi premere nuovamente per riprendere la riproduzione.

### Brano successivo/precedente

Premere **▶▶** per passare al brano successivo nella cartella o nell'album, premere **◀◀** per passare all'inizio del brano corrente, premere nuovamente per passare al brano precedente.

## Regolazione del volume

Raccomandiamo di regolare il volume sul proprio dispositivo Bluetooth in modo che il volume di riproduzione sia indicativamente uguale a quello di altre sorgenti. È possibile utilizzare il controllo del volume del dispositivo R7 per regolare il volume di riproduzione totale.

## Informazioni sulla riproduzione in corso

Il nome dell'artista, il titolo dell'album e del brano verranno visualizzati se il proprio dispositivo Bluetooth e l'app supportano metadati Bluetooth. È possibile anche visualizzare il nome del dispositivo connesso. Selezionare quanto appare su **MENU > Info**.

## Range operativo

È generalmente di 10 metri (30 piedi) dal dispositivo R7, sebbene ostacoli come ad es. le pareti possano ridurlo.

## Disconnessione del dispositivo in uso

Per scollegare il dispositivo in uso e collegarlo ad uno nuovo selezionare **MENU > Connect device**.

## Accoppiamento di altri dispositivi

È possibile accoppiare fino a 7 dispositivi sebbene si potrà riprodurre audio solo da un dispositivo alla volta.

---

*Non è possibile utilizzare la funzione Bluetooth del proprio dispositivo R7 per collegare cuffie Bluetooth*

---

## Cancellazione dell'elenco dei dispositivi accoppiati

In caso di problemi con la connessione del dispositivo Bluetooth raccomandiamo di eliminare tutte le informazioni relative all'accoppiamento. A questo scopo selezionare **MENU > Clear devices**.

Sarà inoltre necessario cancellare *Ruark R7* dall'elenco dei dispositivi sincronizzati sul proprio dispositivo Bluetooth prima di sincronizzarlo nuovamente al dispositivo R7.

Per maggiori informazioni visitare il sito [www.ruarkaudio.com/support](http://www.ruarkaudio.com/support)

## Lettore musicale

Il lettore musicale consente di riprodurre i file audio memorizzati su un computer tramite la propria rete, una chiavetta USB o un hard drive portatile.

### Lettore musicale USB

Per la riproduzione audio da un dispositivo di memoria di massa USB (deve essere di formato FAT32) come una chiavetta USB Flash o un hard drive USB, collegarlo alla presa USB presente sul retro del dispositivo R7.

Al primo collegamento del dispositivo di memoria di massa USB, il dispositivo R7 chiederà automaticamente se si desidera visualizzare l'elenco dei brani. In alternativa, selezionare **Menu > USB** per visualizzare l'elenco dei brani.



### Lettore musicale di rete

Il dispositivo R7 è completamente DLNA compatibile e potrà riprodurre la musica memorizzata in librerie multimediali condivise su altri dispositivi della propria rete. Una libreria multimediale condivisa potrebbe trovarsi su un laptop, uno smartphone o un tablet, ma anche su un server musicale

dedicato come ad es. un drive NAS (Network Attached Storage).

La maggior parte dei computer che esegue Windows è già configurata come media server, come la maggior parte dei drive NAS, e alcuni router funzionano anche come media server. Vi sono molte app disponibili per Mac, iOS, Linux, Android, telefoni Windows, Blackberry, Symbian, ecc. che trasformeranno lettore MP3, smartphone o tablet in un server musicale.

Per riprodurre musica condivisa dai dispositivi sulla propria rete selezionare **Menu > Shared media**. Dopo che il dispositivo R7 ha eseguito una scansione dei supporti condivisi, verrà visualizzato un elenco dei server musicali composto dal nome del computer e dal nome del supporto condiviso, ad esempio *<Ruark-Laptop: Archie Music>*.

I menu verranno quindi generati dal server mediale, sebbene nella maggior parte dei casi siano disponibili opzioni di navigazione per genere, cartella, artista, album ecc.

Se il dispositivo R7 non è collegato ad una rete ora cercherà di collegarsi.

Per maggiori informazioni visitare il sito [www.ruarkaudio.com/support](http://www.ruarkaudio.com/support)

## Navigazione e riproduzione di musica

Ruotare la **MANOPOLA DI CONTROLLO** per scorrere gli elenchi dei brani, quindi premerla per aprire la cartella/l'album

---

*I brani WMA e AAC tutelati da diritti non sono riproducibili sul dispositivo R7.*

---

evidenziato o riprodurre il brano.

Per tornare alla videata precedente premere **BACK**.

## Brano in pausa

Premere **▶||** e poi premere nuovamente per riprendere la riproduzione.

## Salto di un brano

Premere **▶▶** per passare al brano successivo nella cartella o nell'album, premere **◀◀** per passare all'inizio del brano corrente, premere nuovamente per passare al brano precedente.

## Avanzamento veloce o riavvolgimento

Premere e tenere premuto **▶▶** o **◀◀** per avanzare velocemente o riavvolgere.

## Riproduzione casuale

Per riprodurre brani in ordine sparso, selezionare **MENU > Shuffle** e premere la **MANOPOLA DI CONTROLLO** per attivare e disattivare la riproduzione casuale.

NOTA: potrebbe non essere possibile utilizzare questa funzione se la cartella contiene un numero elevato di brani.

## Riproduzione ripetuta

Per ripetere un singolo brano o tutti i brani nella cartella corrente, selezionare **MENU > Repeat** e premere la **MANOPOLA DI CONTROLLO** per attivare e disattivare la riproduzione ripetuta.

## My playlist

È possibile creare la propria playlist e inserire fino a 500 brani. Può essere un mix di brani disponibili da un media server e da un dispositivo USB collegato. Per gestire la propria playlist, selezionare **Menu > My playlist**.

Per aggiungere un brano o una cartella alla playlist, evidenziarlo/a, quindi premere e tenere premuta la **MANOPOLA DI CONTROLLO** per due secondi.

Per eliminare un brano dalla playlist, evidenziarlo in My playlist, premere e tenere premuta la **MANOPOLA DI CONTROLLO** per due secondi.

Si noti che la playlist resterà memorizzata fin quando il dispositivo R7 resterà acceso o in modalità stand-by ma verrà cancellata in caso di spegnimento del dispositivo.

## Informazioni sulla riproduzione in corso

Generalmente il nome del brano viene mostrato insieme a informazioni aggiuntive. Per modificare ciò che appare visualizzato selezionare **MENU > Info** e scegliere tra informazioni sull'album e sull'artista; visualizzare la barra di avanzamento o il formato dati.

## Prune server

Il dispositivo R7 memorizzerà automaticamente il nome dei media server a cui si è connesso e non attualmente disponibili, indicati con un punto interrogativo davanti al nome, ad es. "*?Home-Laptop*". Per rimuoverli dall'elenco, selezionare **MENU > Prune servers > YES**.

# Streaming mediale DLNA

È possibile inoltre trasferire l'audio al dispositivo R7 da un media server Digital Living Network Alliance (DLNA) compatibile, dove è possibile scorrere la musica sul server stesso e riprodurla attraverso il dispositivo R7. Vi sono molte app disponibili per Mac, iOS, Linux, Android, telefoni Windows, ecc. che trasformeranno lo smartphone, tablet o laptop in un media server DLNA. Windows Media Player prevede persino una funzione "Riproduci su" integrata che consente di trasmettere la musica memorizzata nel computer direttamente sul dispositivo R7.

Con lo streaming mediale DLNA, il dispositivo R7 funziona come Digital Media Renderer (DMR), consentendo di scorrere la musica sul proprio smartphone o laptop e quindi trasmetterla al dispositivo R7 tramite la rete.

Il dispositivo R7 passerà automaticamente in modalità DMR selezionando R7\* come lettore prescelto – DMR non è una modalità selezionabile utilizzando il tasto **SOURCE**.

Analogamente, le informazioni sulla riproduzione in corso saranno controllate dal server, quindi non vi sono impostazioni modificabili.

Per maggiori dettagli fare riferimento alla documentazione relativa al dispositivo o all'app oppure visitare il sito **[www.ruarkaudio.com/support](http://www.ruarkaudio.com/support)**.

---

*Lo streaming mediale DLNA richiede la connessione del dispositivo R7 alla rete. Vedere la sezione relativa alle impostazioni di sistema.*

---



# Servizi di streaming musicale

Il dispositivo R7 supporta i servizi di streaming musicale mostrati di seguito.

## Spotify Connect

*Usa il tuo cellulare, tablet o computer come telecomando remoto per Spotify. Vai su [spotify.com/connect](https://spotify.com/connect) per scoprire come*

## Amazon Music

*Per maggiori dettagli visitare il sito [www.amazon.com](https://www.amazon.com)*

## Deezer

*Per maggiori dettagli visitare il sito [dzt.fm/airable](https://dzt.fm/airable)*

## TIDAL

*Per maggiori dettagli visitare il sito [tidal.com/try-now](https://tidal.com/try-now)  
Si noti che l'alta qualità TIDAL non è supportata in modalità multi-room. Per ascoltare TIDAL in modalità multi-room, cambiare la qualità dell'audio a normale usando l'app Ruark Link.*

Il range dei servizi musicali supportati potrebbe variare senza alcun preavviso.



## Ingressi Line in e optical

È possibile ascoltare l'audio da una sorgente audio analogica esterna collegandola ad un ingresso Line in 1 o 2 oppure ad una sorgente digitale collegandola ad un ingresso Optical 1 o 2.

## Phono

Il dispositivo R7 è dotato di un pre-amplificatore phono ad alta fedeltà da utilizzare con una testina per giradischi a magnete mobile (MM).

Non è previsto l'uso con una testina di tipo a bobina mobile.

Per collegare un giradischi al dispositivo R7 raccomandiamo di utilizzare cavi phono di alta qualità.

## Livelli in entrata

Per prestazioni ottimali raccomandiamo di regolare il livello di volume di un dispositivo esterno (ad es. lettore musicale portatile o giradischi) in modo che il suo volume sia pressoché uguale a quello di sorgenti incorporate come CD o USB.

Se il volume è più basso, aumentare il livello in entrata.

Se il volume è più alto e risulta distorto, ridurre il livello in entrata.

---

Per prestazioni ottimali raccomandiamo di regolare il livello di volume di dispositivi esterni regolando i livelli in entrata

---

È possibile regolare il livello in entrata selezionando **MENU > Input level** e scegliere il proprio livello desiderato.

-3dB è il livello più basso ed è indicato per dispositivi audio con uscite di alto livello (2 Vrms) come ad es. un lettore CD esterno.

+6dB è il valore predefinito ed è indicato per la maggior parte dei dispositivi.

### Livelli Line in

Comprendono impostazioni del guadagno più elevate (fino a +24dB) dal momento che in alcuni dispositivi mobili il livello in uscita delle cuffie può essere piuttosto basso.

### Livelli in entrata Phono

Sono stati progettati per funzionare con le più comuni testine a magnete mobile (MM), controllare quindi le specifiche della propria testina e selezionare l'impostazione più appropriata.

- 3dB (6 - 8 mV)

0dB (4 - 6 mV)

+3dB (3 - 4 mV)

+6dB (2 - 3 mV)

Se la sorgente audio esterna dispone di un controllo del volume potrebbe essere necessario regolare anche quello.

## Loop di massa

(Eliminazione di ronzii e rumori)

In alcune circostanze è possibile avvertire ronzii e rumori quando si collega una sorgente audio esterna utilizzando l'ingresso Line in o Phono, ad es. al momento della riproduzione da un dispositivo con alimentazione di rete esterna o uno alimentato mediante una presa USB e collegato al dispositivo R7.

Sfortunatamente si tratta di un problema relativamente diffuso che non è sempre facile da risolvere. Il dispositivo R7 dispone tuttavia di due caratteristiche che potrebbero aiutare a risolvere questo problema.

### Scambio tra l'ingresso Line in 1 e l'ingresso Line in 2

L'ingresso Line in 2 è isolato a massa mentre l'ingresso Line in 1 non lo è, per cui è possibile che un ingresso sia più silenzioso dell'altro.

### Utilizzare il terminale di messa a terra presente sul pannello posteriore

Se questo non funziona se si sta utilizzando l'ingresso Phono, cercare di collegare la messa a terra del proprio dispositivo esterno al terminale di messa a terra presente sul retro del dispositivo R7.

Per maggiori informazioni visitare il sito [www.ruarkaudio.com/support](http://www.ruarkaudio.com/support)

---

### IMPORTANTE

**Rimuovere il cavo di rete dal dispositivo R7 prima di collegarlo al terminale di messa a terra. In caso di dubbi su come collegare la messa a terra del proprio dispositivo esterno al dispositivo R7, non esitate a chiedere aiuto!**

---

## Multi-room

Questo dispositivo è perfettamente compatibile con il sistema Ruark Audio multi-room e consente di trasmettere senza problemi la musica da una stanza ad un'altra.

Per iniziare occorre creare un gruppo di max. 6 dispositivi che riprodurranno tutti lo stesso audio sincronizzato. Una volta creato questo gruppo è possibile aggiungervi altri dispositivi.

Per creare un gruppo selezionare **MENU > Multi-room > Create new group**, assegnare un nome al gruppo e selezionare OK. Dall'elenco dei dispositivi compatibili trovati sulla rete selezionare fino a 5 dispositivi da aggiungere al gruppo quindi premere **MENU** per confermare la selezione e uscire. A questo punto tutti i dispositivi del gruppo riprodurranno l'audio sincronizzato.

Per aggiungere dispositivi al gruppo corrente, selezionare **MENU > Multi-room > Add to group**

Per rimuovere altri dispositivi dal gruppo corrente, selezionare **MENU > Multi-room > Remove from group**

Per rimuovere il dispositivo corrente dal gruppo selezionare **MENU > Multi-room > Leave group**

Per eliminare il gruppo corrente selezionare **MENU > Multi-room > Dissolve group**. In questo modo il gruppo viene sciolto e la riproduzione multi-room si interrompe.

È inoltre possibile impostare e controllare la riproduzione multi-room utilizzando l'app Ruark Audio Link.

Per maggiori informazioni visitare il sito [www.ruarkaudio.com/support](http://www.ruarkaudio.com/support)

## Controllo app

È inoltre possibile controllare il proprio dispositivo R7 e impostare la riproduzione multi-room utilizzando l'app Ruark Audio Link. L'app è disponibile nell'app store Apple/Android.

Per maggiori informazioni visitare il sito

[www.ruarkaudio.com/support](http://www.ruarkaudio.com/support)

## PIN di accesso all'app

Impostare un codice PIN per limitare l'accesso al dispositivo R7 in modo che solo gli utenti autorizzati possano controllarlo da smartphone o tablet dall'app Ruark Audio Link.

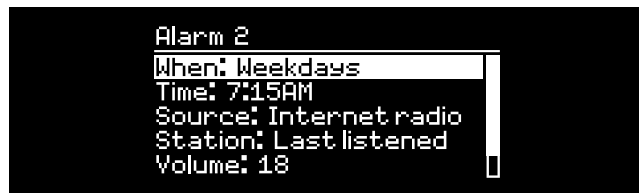
**MENU > System > Network > App access PIN.**

## Sveglia, snooze e spegnimento

### Impostazione della sveglia

L'icona della sveglia indica che la sveglia è inserita e lampeggia quando la sveglia suona.

Selezionare **MENU > System > Date and time > Alarms** e scegliere l'allarme 1 o l'allarme 2 utilizzando la **MANOPOLA DI CONTROLLO**.



Selezionare la frequenza con cui la sveglia dovrà suonare (spenta, giornalmente, una volta, nei week-end o nei giorni feriali), impostare l'ora, quindi scegliere una stazione radio, un CD o un segnale acustico come suono della sveglia e infine il volume. Infine, selezionare *save* per salvare la sveglia e uscire dal menu di impostazione.

NOTA: non è possibile utilizzare una sorgente Bluetooth, USB o un server musicale di rete per la sveglia.

## Snooze

Premere la **MANOPOLA DI CONTROLLO** per silenziare temporaneamente un allarme attivo, premerlo nuovamente per aumentare il periodo di snooze (*5, 10, 15 o 30 minuti*).

Per annullare un allarme attivo o in modalità snooze, premere e tenere premuta la **MANOPOLA DI CONTROLLO** per due secondi.

## Timer di spegnimento

Per impostare l'intervallo al termine del quale il dispositivo R7 passa automaticamente in modalità stand-by, selezionare **MENU > System > Date and time > Sleep**.

Scegliere il ritardo in minuti (Off, 15, 30, 45, 60) e infine premere la manopola per confermare la propria selezione. Il display si attenua alla luminosità di stand-by, torna alla videata di riproduzione in corso e visualizza l'icona di spegnimento.

# Specifiche

## Amplificatori e driver

2 doppi driver concentrici da 5.5"

1 subwoofer a lunga gittata da 8"

Discreto amplificatore di alimentazione Classe AB da 180W

Preamplificatore phono MM integrato

Processore audio 3D digitale migliorato

## Radio

Radio DAB, DAB+ FM con RDS

Ingresso antenna DAB/FM di tipo F a 75 Ohm

## Letture CD

Dischi CD, CD-ROM, CD-R/RW

MP3, WMA fino a 320 kbit/s

## Audio digitale

DAC stereo audio 112dB a 32 bit Audiophile

Radio Internet, Spotify Connect, DLNA UPnP™

802.11b/g Wi-Fi supporta WEP, WPA e WPA2 security

MP3, WMA, AAC, FLAC, WAV

SBC, AAC, A2DP, aptX, aptX HD Bluetooth

## Ingressi e uscite

1 ingresso phono MM (RCA)

2 ottica digitale (TOSLINK)

2 ingressi Line (RCA)

1 uscita linea Line (RCA)

1 x Ethernet (RJ45)

5W (5V 1A) USB

Uscita auricolari jack stereo da 3,5mm

## Alimentazione

Ingresso di rete: 100 - 120/200 - 240 V CA 50 - 60 Hz

Fusibile: 250V, T 6.3A

Consumo nominale: 25 W

Consumo in stand-by: 1,0 W

## Caratteristiche fisiche

Dimensioni senza gambe:

H 165 mm x L 1000 mm x P 400 mm

(H6.5" x W39.4" x D15.7")

Peso (gambe incluse): 27,8 kg (61.3 lbs)

Specifiche e design soggetti a modifiche senza preavviso  
Certificazione Digital Tick ottenuta utilizzando l'antenna a dipolo a filo in dotazione.

# Sicurezza e informazioni normative

- Leggere la presente guida utente e seguire le istruzioni, in quanto utili a impostare e azionare correttamente il prodotto.
- Prestare attenzione alle avvertenze e conservare la presente guida a scopo di riferimento futuro.
- Non tentare di utilizzare un dispositivo danneggiato che potrebbe causare una pericolosa scossa elettrica.
- Non aprire l'unità né rimuovere i pannelli esponendo così i componenti elettronici. All'interno non ci sono componenti soggetti a manutenzione.
- Riferire tutti gli interventi al personale qualificato addetto alla manutenzione. In caso di danno di qualsiasi tipo al dispositivo, come danneggiamento del cavo di alimentazione o della spina, fuoriuscita di liquido o caduta di oggetti nel dispositivo, esposizione del dispositivo a pioggia o umidità, funzionamento anomalo o caduta del dispositivo, è necessario ricorrere all'assistenza.
- Il dispositivo è previsto UNICAMENTE per l'azionamento con le tensioni AC elencate sul pannello posteriore o con l'alimentazione prevista. Il funzionamento a tensioni diverse da quelle specificate può causare danni irreparabili al dispositivo e rendere nulla la garanzia del prodotto.
- Accertarsi che l'adattatore di alimentazione o il connettore di rete del dispositivo siano facilmente accessibili nel caso in cui sia necessario staccare il dispositivo dall'alimentazione di rete.
- Per scollegare completamente il sistema dall'alimentazione di rete è necessario togliere l'adattatore, la spina o il connettore di rete dalla presa.
- Non posizionare fiamme libere, come candele accese, sopra o vicino al dispositivo. Non installare vicino a fonti di calore come radiatori, stufe o altri dispositivi (compresi gli amplificatori) che generino calore.
- Evitare l'esposizione a calore o freddo estremo.
- Utilizzare soltanto attacchi/accessori specifici per il dispositivo. Non apportare modifiche al sistema o agli accessori. Le modifiche non autorizzate possono compromettere sicurezza, conformità normativa e performance del sistema.
- Utilizzare esclusivamente l'antenna in dotazione o un ricambio a norma.
- Non esporre il dispositivo a pioggia o umidità, per ridurre il rischio di incendio o scossa elettrica. Non esporre il dispositivo a gocciolamento o spruzzi e non posizionare oggetti pieni di liquidi, come i vasi, sopra o vicino al dispositivo. Come con qualsiasi prodotto elettronico, prestare attenzione a non versare liquidi in qualsiasi parte del sistema. I liquidi possono causare guasti e/o rischio di incendio.
- Per prevenire danni al dispositivo, staccarlo durante temporali con fulmini o se inutilizzato per periodi prolungati.
- Per evitare rischio di incendio o scossa elettrica, non sovraccaricare prese a muro, prolunghe o prese integrate.
- L'esposizione prolungata a musica a volume elevato può compromettere l'udito. E' preferibile evitare il volume eccessivo quando si utilizzano le cuffie, in particolare per periodi prolungati.
- Non installare il dispositivo in spazi chiusi. Lasciare sempre uno spazio di almeno 10cm attorno al dispositivo a scopo di ventilazione e accertare che tendaggi o altri oggetti non coprano le aperture di ventilazione sul dispositivo stesso.



**INFORMATIVA SULLA SICUREZZA DELLE CELLE A BOTTONE AL LITIO.** Il telecomando contiene una batteria a cella a bottone al litio che, se ingerita, può causare ustioni chimiche. Tenere batterie nuove e usate lontano dalla portata dei bambini. Consultare immediatamente un medico qualora si sospetti l'ingestione di batterie. Non manipolare batterie danneggiate o con fuoriuscite. Pericolo di esplosione in caso di errato posizionamento della batteria. Sostituire unicamente con batteria uguale o dello stesso tipo.



Il dispositivo è etichettato in conformità alla Direttiva europea 2012/19/CE relativa ai rifiuti di apparecchiature elettriche ed elettroniche. Questo simbolo indica che il prodotto o le relative batterie non devono essere smaltiti come normale rifiuti domestici. Come qualsiasi altra apparecchiatura elettrica, dovranno essere smaltiti conformemente alle normative locali vigenti.



#### INFORMAZIONI SULLA CONFORMITÀ CE

Il prodotto è conforme a tutti i requisiti della Direttiva UE applicabile per legge. Per ottenere una copia gratuita della Dichiarazione di conformità, contattare il proprio rivenditore, distributore o Ruark Audio.

Con la presente Ruark Audio dichiara che il presente dispositivo è conforme ai requisiti essenziali e ad altre disposizioni pertinenti della Direttiva europea sulle apparecchiature radio 2014/53/EU.

È possibile scaricare la Dichiarazione di conformità CE completa sul sito [www.ruarkaudio.com/doc/R7mk3doc.pdf](http://www.ruarkaudio.com/doc/R7mk3doc.pdf)

## Risoluzione dei guasti

Per un aiuto in merito al prodotto acquistato fare riferimento alla pagina FAQ (Frequently Asked Questions - Domande più frequenti) nella sezione di supporto del nostro sito web.

Per maggiori informazioni visitare il sito [www.ruarkaudio.com/support](http://www.ruarkaudio.com/support)

## Informazioni sulla garanzia

Garantiamo l'assenza di difetti su che questo prodotto per un periodo di due anni a partire dalla data di acquisto a condizione che venga sottoposto alla dovuta cura e manutenzione. Un errato funzionamento del prodotto causato da un danno accidentale (comunque causato), usura eccessiva, negligenza o modifiche non autorizzate renderanno nulla la garanzia.

Per qualsiasi problema invitiamo a contattarci sul nostro sito web all'indirizzo [www.ruarkaudio.com](http://www.ruarkaudio.com) oppure chiamando direttamente il numero 01702 601410 dove vi suggeriremo l'azione correttiva da adottare. Nel caso in cui sia necessario riconsegnare il prodotto, questo dovrà essere imballato nella sua confezione originale insieme alla ricevuta di acquisto. Qualora non fosse possibile riconsegnare il prodotto a mano, spedirlo trasporto prepagato utilizzando un corriere affidabile. In mancanza della confezione originale, da noi è possibile acquistare una confezione sostitutiva.

## Garanzia per vendite oltremare

Il distributore nel paese di acquisto garantisce prodotti acquistati al di fuori del Regno Unito. Per maggiori dettagli contattare il punto vendita o il distributore Ruark di zona.

LA PRESENTE GARANZIA NON MODIFICA NÉ ELIMINA IN ALCUN MODO I DIRITTI LEGALI DELL'ACQUIRENTE. SALVO ERRORI E OMISSIONI

# ruarkaudio

59 Tailors Court, Temple Farm Industrial Estate,  
Southend on Sea, Essex, SS2 5TH, UK  
+44 (0) 1702 601 410 [www.ruarkaudio.com](http://www.ruarkaudio.com)

## Manutenzione generale

Pulire il dispositivo con un panno morbido che non lasci pelucchi oppure con un panno leggermente umido. Non utilizzare cera spray o altre sostanze che potrebbero danneggiare la finitura superficiale o compromettere le prestazioni.

Non esporre il dispositivo a luce solare diretta, elevata umidità, polvere, eccessive vibrazioni o temperature estreme onde evitare di comprometterne la finitura, le prestazioni e l'affidabilità.

Il range della temperatura d'esercizio consigliata è compreso tra 5°C e 40°C.

Le strutture con finitura in legno naturale possono cambiare e schiarirsi o scurirsi con il passare del tempo, specialmente se esposte alla luce del sole.

## Copyright e marchi

© 2018 Ruark Audio. Tutti i diritti riservati. Ruark Audio, il logo Ruark Audio e altri marchi Ruark Audio sono di proprietà di Ruark Audio e potrebbero essere registrati. Tutti gli altri marchi sono proprietà dei rispettivi proprietari. Ruark Audio non si assume alcuna responsabilità per eventuali errori riscontrabili nel presente manuale e le informazioni ivi contenute potranno essere modificate senza preavviso.

Bluetooth® e i loghi associati sono marchi registrati di proprietà di Bluetooth SIG, Inc.

Qualcomm aptX e aptX HD sono prodotti di Qualcomm Technologies International, Ltd.

Il software Spotify è soggetto alle licenze di terzi riportate nel seguente sito: [www.spotify.com/connect/third-party-licenses](http://www.spotify.com/connect/third-party-licenses)

Tutti gli altri marchi sono proprietà dei rispettivi proprietari.

Progettato in  
Gran Bretagna



20190430.1





High Fidelity Radiogram  
R7 mk3

User guide	EN
Brugervejledning	DA
Bedienungsanleitung	DE
Guía del usuario	ES
Guide de l'utilisateur	FR
Manuale dell'utente	IT
<b>Gebbruikershandleiding</b>	<b>NL</b>
Brukerveiledning	NO

ruarkaudio

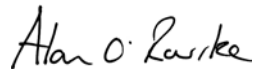
Wij stellen het op prijs dat uw keuze op onze R7 mk3 High Fidelity Radiogram is gevallen.

Geïnspireerd door het ontwerp uit het midden van de eeuw, is de R7 een evolutie van ons oorspronkelijke iconische ontwerp en met zijn magnifieke uiterlijk en verbazingwekkende geluidskwaliteit, garanderen wij dat u het plezier in muziek en radio weer helemaal opnieuw zult ontdekken.

Neem de tijd om deze gebruikershandleiding te lezen, dat zal u helpen het beste uit uw R7 te krijgen.

Wij zijn wij ervan overtuigd dat uw R7 u met de juiste zorg vele jaren luisterplezier zal geven en aarzel niet contact met ons op te nemen als u hulp of advies nodig hebt. Als een Brits familiebedrijf zijn wij trots op onze klantenservice en zullen wij altijd ons uiterste best doen om te helpen.

Nogmaals, wij stellen het op prijs dat uw keuze is gevallen op Ruark Audio.

A handwritten signature in black ink that reads "Alan O'Rourke". The signature is written in a cursive, flowing style.

Alan O'Rourke  
Oprichter en managing director

# Inhoud

Wat zit er in de doos	4	Muziekstreamingdiensten	25
Knoppen	5	In lijn en optisch	26
Overzicht	6	Phono	26
Bevestiging van poten of voeten	7	Invoerniveau-instelling	26
De eerste stappen	8	Meerdere ruimten	27
Meest voorkomende functies	10	App-besturing	28
Systeeminstellingen	13	Alarms, snooze en slaap	28
FM radio	15	Specificaties	29
DAB-radio	16	Veiligheids- en regelgevende informatie	30
Internetradio	17	Opsporen en oplossen van problemen	31
CD-speler	19	Garantie-informatie	32
Bluetooth	20	Algemene verzorging	32
Muziekspeler	22	Copyright en handelsmerken	32
DLNA media-streaming	24		

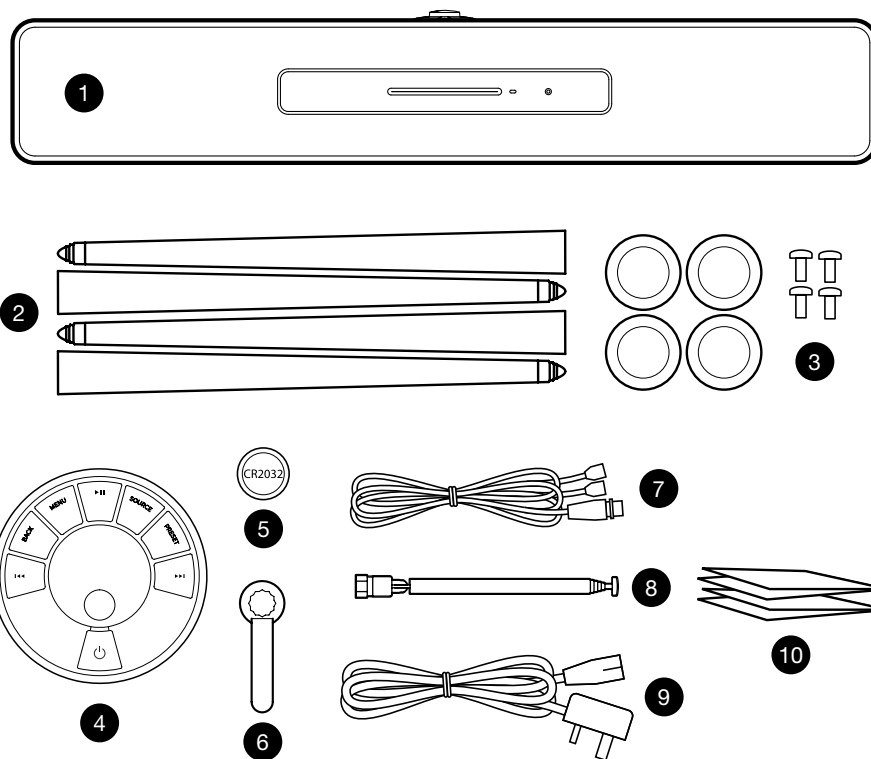
# Wat zit er in de doos

Controleer of alle op de onderstaande lijst vermelde onderdelen in de doos zitten.

Wanneer er een onderdeel ontbreekt, dient u de R7 niet te gebruiken en rechtstreeks contact met ons op te nemen wanneer hij in het VK werd aangeschaft of met uw Ruark Audio dealer wanneer hij buiten het VK werd gekocht.

1. R7
2. Vier spilpoten
3. Vier poot- & bevestigingsschroeven
4. Afstandsbediening
5. Batterij voor afstandsbediening (CR2032)
6. Antennespanner
7. Draadantenne
8. Telescopische antenne
9. Netstroomkabel
10. Gebruikershandleiding & andere documenten

Bewaar de doos en alle verpakkingsmaterialen indien mogelijk.



# Knoppen

De knoppen op de R7 zijn precies dezelfde als op de afstandsbediening.

11.  – **STAND-BY**

12. **CONTROL KNOB / SELECT**

Draai om het volume aan te passen vanaf een Nu-spelend scherm

Draai om te zoeken in menu's, tracks of stationslijsten\*

Druk op **SELECT**

13. **▶▶** – druk erop om naar next station of track te gaan, druk op fast-forward en houd vast

14. **◀◀** – druk erop om het vorige station of track over te slaan, druk op rewind en houd vast

15. **PRESET** – druk om een opgeslagen station op te roepen of houd gedurende twee seconden ingedrukt om een radiostation op te slaan

16. **SOURCE** – druk om de audiobron te veranderen

17. **▶||** – druk om een track te spelen/pauzeren of audio-inputs en radio uit te schakelen

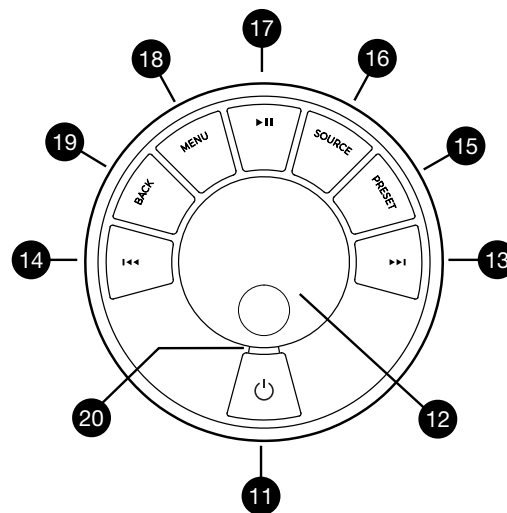
18. **MENU** – druk om het menu te bekijken

19. **BACK** – druk om terug te keren naar het vorige menu of het lijstschermb

20. **CONTROLELAMPJE**

Op de R7 wordt aangegeven of uw muzieksysteem is ingeschakeld en knippert wanneer Bluetooth klaar is om te koppelen of bij gebruik van de afstandsbediening.

Op de afstandsbediening knippert hij wanneer er op een toets wordt gedrukt of bij gebruik van de regelknop en wanneer de batterij bijna leeg is, zal het licht van blauw in oranje veranderen.



\*U kunt ook op **▶▶** of **◀◀** drukken om door menu's, tracks of stationslijsten te bladeren

---

*Hoe lang u op een toets drukt is belangrijk*

*Druk = tik of druk en laat onmiddellijk los*

*Houd ingedrukt = druk en laat na twee seconden los*

---

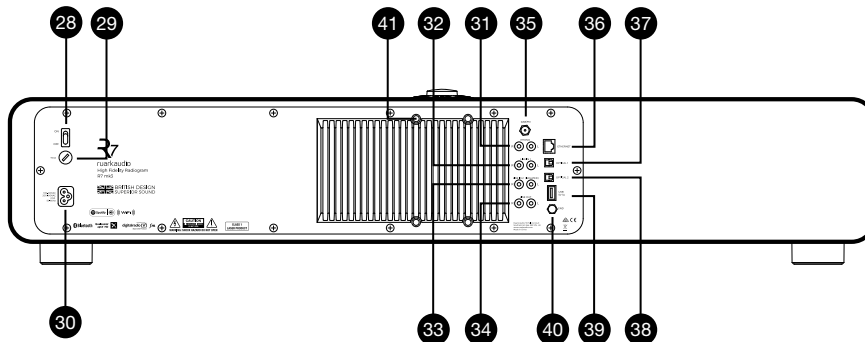
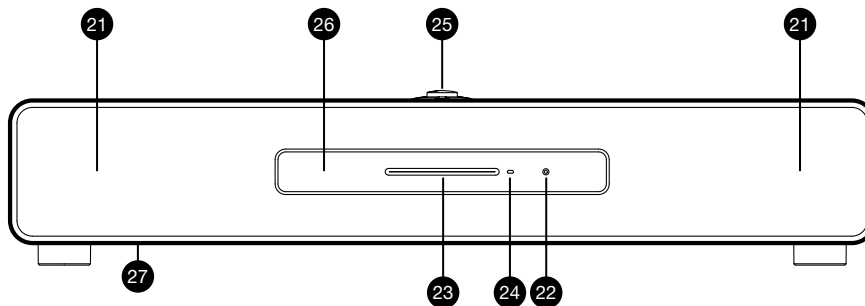
# Overzicht

## Voor

- 21. Dubbele concentrische stereodrivers
- 22. Koptelefoon uit (3,5mm stekerbuis)
- 23. CD laadsleuf
- 24. CD-uitstootknop
- 25. Knoppen
- 26. OLED-display
- 27. Subwoofer

## Achter

- 28. Netsroomschakelaar
- 29. Netstroomzekering
- 30. Netstroomsnoerinlaat
- 31. Phono-ingang
- 32. Lijn in 1
- 33. Lijn in 2
- 34. Lijn uit
- 35. DAB-FM-antenne
- 36. Ethernet
- 37. Optische ingang 1
- 38. Optische ingang 2
- 39. USB
- 40. Massa-aansluiting
- 41. AV montagebevestigingspunten (4xM8)



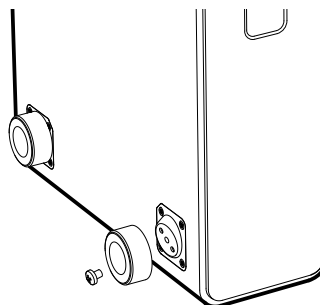
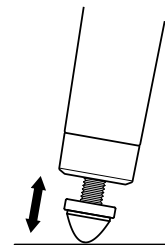
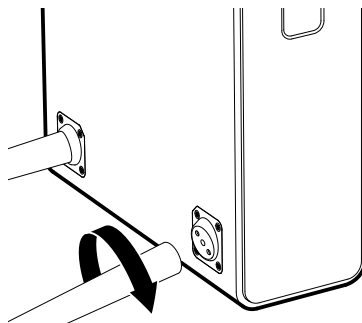
# Bevestiging van poten of voeten

**Vraag hulp bij het verplaatsen van uw R7 daar hij zwaar en kwetsbaar is!**

Neem uw R7 voorzichtig uit de beschermende zak en leg hem op zijn kant op een stabiel, schoon en onbeschadigd oppervlak zoals een kleed of de zak.

Om uw R7 op poten te monteren schroeft u de vier poten in de montageplaten aan de onderkant van de kast en draait u elke poot handvast zodat zij vastzitten, maar pas op dat u ze niet te vast draait. Draai uw R7 voorzichtig om en verplaats hem naar zijn definitieve plek en pas indien nodig de pootpunten aan om zeker te stellen dat hij volledig stabiel is.

Om uw R7 op poten te monteren, plaatst u een voet op elk van de vier montageplaten aan de onderkant van de kast en zorg ervoor dat elk correct in lijn is. Gebruik een geschikte schroevendraaier om ze vast te zetten met de meegeleverde schroeven. Draai uw R7 voorzichtig om en plaats hem op een geschikt sterk en stevig oppervlak.

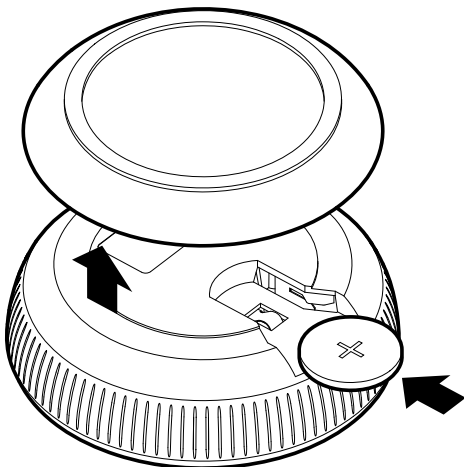


*De R7 is zwaar en verkeerde hantering kan resulteren in beschadiging of persoonlijk letsel.*

# De eerste stappen

## 1 Doe de batterij in de afstandsbediening

Trek de magnetische stalen basis voorzichtig weg en schuif de batterij (type CR2032) met de voorkant van de afstandsbediening omlaag in de sleuf, let op dat de platte kant met de markering + te zien is. Zet de stalen basis terug.



---

*Let op, de afstandsbediening zal mogelijk pas werken nadat hij gekoppeld is aan het hoofdsysteem (zie stap 6).*

---

## 2 Sluit de antenne aan

Bevestig de draad- of telescopische antenne aan de DAB/FM antennecontactdoos aan de achterkant van uw R7 en zet hem voorzichtig vast met behulp van de meegeleverde spansleutel. Gebruik de antenne die het best voor u werkt, hoewel wij voor de beste ontvangst met klem adviseren een externe, professioneel geïnstalleerde antenne te gebruiken.

## 3 Sluit aan op de AC-netstroom

Steek het netstroomsnoer in de netstroomcontactdoos aan de achterkant van uw muzieksysteem en steek hem vervolgens in een netstroomaansluiting.

## 4 Schakel in

Schakel de netstroomschakelaar aan de achterkant van uw muzieksysteem naar de ON stand. Uw R7 staat nu in stand-by.

Om uw R7 in te schakelen drukt u op **STAND-BY** op de knoppen op de kast en dan zal het R7-logo op het scherm verschijnen.





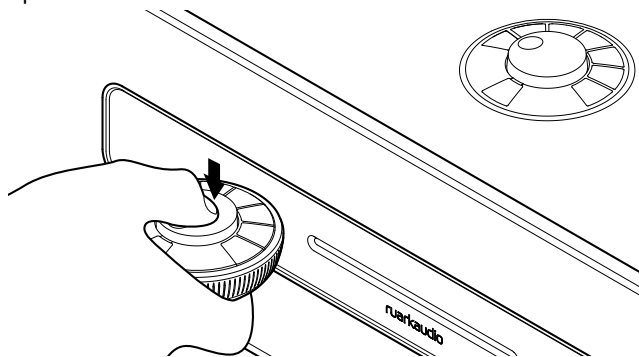
## 5 Kies de taal

Draai de **CONTROL KNOB** tot uw voorkeurskeuze is verlicht, druk vervolgens op **SELECT**.



## 6 Koppel uw afstandsbediening

Wanneer u wordt gevraagd om uw afstandsbediening te koppelen, houd hem dan heel dicht bij de display en druk op **SELECT**.



Wanneer uw afstandsbediening koppelt, ziet u een bevestigingsscherm en is uw afstandsbediening nu klaar voor gebruik, druk op **SELECT** om door te gaan.

Normaal hoeft u hem niet opnieuw te koppelen maar als u het doet, houd hem dan heel dicht bij het scherm en druk op een toets en houd hem vast tot u het bevestigingsbericht ziet. U kunt dit in ongeacht welke stand doen.

## 7 Setup wizard

Wanneer u uw R7 voor het eerst inschakelt, zal setup wizard u helpen de klok te configureren en aan te sluiten op uw netwerk.



Voor het starten van de setup wizard, de **CONTROL KNOB** draaien om **YES** te markeren en vervolgens op de knob drukken om **SELECT** te selecteren. Als u **NO** kiest, zal uw R7 starten zonder tijd/datum en netwerkinstellingen te configureren.

## 8 Selecteer een bron

Na voltooiing van uw opstelling, zal uw R7 een menu weergeven met een lijst van de beschikbare bronnen. Gebruik de **CONTROL KNOB** voor het kiezen van een bron en druk op **SELECT**.

## 9 Veel plezier met uw muziek!

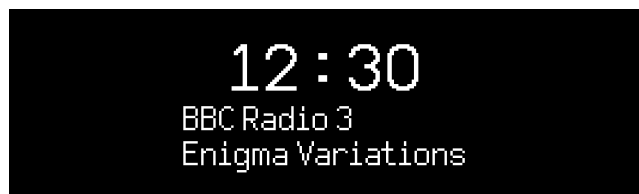
# Meest voorkomende functies

## Inschakelen en op stand-by zetten

Druk op **STANDBY** om uw radio in te schakelen. Druk weer om over te schakelen naar stand-by.

## Nu-spelende schermen

Tenzij u een instelling verandert, zal het scherm lijken op het onderstaande voorbeeld met de klok boven en station/track/album/artist informatie eronder.



De onderstaande on-screen pictogrammen worden getoond wanneer hun respectieve functies actief zijn.



Alarm



Sleep-timer (slaaptijdschakelaar)



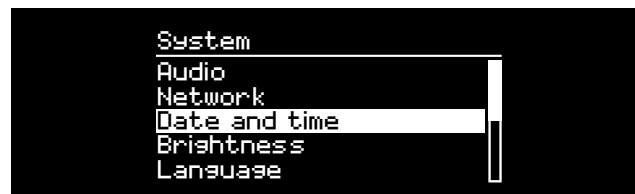
Shuffle



Herhalen

## Menu-schermen

Met de menu's kunt u de verschillende opties instellen zoals het aanpassen van de bas en treble. Voor het veranderen van een instelling drukt u op **MENU** voor het weergegeven van de lijst met beschikbare opties, draait u de **CONTROL KNOB** om die, die u wilt veranderen te markeren, druk vervolgens op de knop om uw selectie te bevestigen.



## Browsen in menu's, track- en stationslijsten

Om de instellingen te veranderen – drukt u op **MENU**

Om door de opties te scrollen – draait u de **CONTROL KNOB**

Voor het selecteren van de optie – drukt u op **CONTROL KNOB**

Om het menu te verlaten – drukt u op **MENU** of wacht u een paar seconden

Om terug te gaan naar de vorige menu/list – drukt u op **BACK**

---

*Hoe lang u op een toets drukt is belangrijk*

*Druk = tik of druk en laat onmiddellijk los*

*Houd ingedrukt = druk en laat na twee seconden los*

---

## Volume afstellen

Draai de **CONTROL KNOB** vanaf elk Nu-spelend scherm. Speakervolume en koptelefoonvolume worden afzonderlijk afgesteld, zodat, wanneer de koptelefoon is ingeschakeld, het volume wordt getoond als *Volume (HP)*.

N.B.: door het draaien van de **CONTROL KNOB** terwijl een menu of track/stationslijst wordt weergegeven wordt door het menu of de lijst gescrold en wordt het volume niet veranderd

## Veranderen van audiobron

Druk op **SOURCE** om de huidige bron te bekijken, draai de **CONTROL KNOB** om door de lijst met bronnen te scrollen, druk vervolgens op de knop om er een te selecteren die op dit moment wordt weergegeven. (U kunt ook herhaaldelijk op **SOURCE** drukken om door de lijst met bronnen te cirkelen in plaats van de knop te draaien.)



## Meerdere ruimten

Dit apparaat is volledig compatibel met Ruark Audio multi-room en stelt u in staat muziek naadloos van de ene ruimte naar de andere te laten stromen. Zie het 'Multi-room' deel voor meer bijzonderheden.

## Onderbreking van track of uitschakelen van audio

Druk op **▶▶** en druk vervolgens opnieuw op luisteren hervatten.

## Speel volgende/vorige track

Druk op **▶▶** om naar de volgende track in de map of het album te gaan, druk op **◀◀** om naar het begin van de huidige track te gaan, druk weer om terug te gaan naar de vorige track.

## Fast-forward of rewind track

Houd **▶▶** of **◀◀** ingedrukt (werkt mogelijk niet met Bluetooth).

## Verander het FM-radiostation

Druk op **▶▶** of **◀◀** om het volgende of vorige station te zoeken. Zie het 'FM'-deel voor meer bijzonderheden.

## Verander het DAB-radiostation

Druk op **▶▶** of **◀◀** voor het afstemmen op het volgende of vorige station.

U kunt de multilijnstationslijst ook bekijken **MENU > Station list** te selecteren.

Zie het 'DAB'-deel voor meer bijzonderheden.

## Station- of track-informatie veranderen

Verander de weergegeven station/track informatie door het selecteren van één of meer van de opties uit **MENU > Info**.

---

*Om terug te gaan naar het vorige menuniveau of de stationslijst drukt u op **BACK***

---

## Sla de voorinstelling van het radiostation op

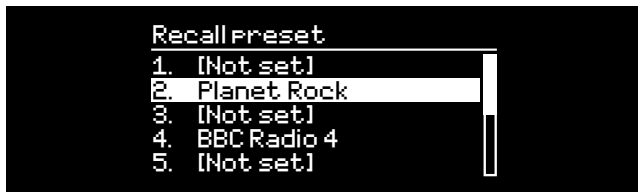
Houd **PRESET** ingedrukt tot 'Save preset' wordt getoond en draai vervolgens de **CONTROL KNOB** om het vooraf ingestelde getal te kiezen, druk vervolgens op de knop om het huidige station op te slaan. Voorinstellingen worden hetzij gemarkeerd met de naam van het station, de frequentie of als '[Not set]'.



Als u een station over een bestaande voorinstelling heen opslaat, zal het nieuwe station de plaats ervan innemen.

## Radiostation voorinstelling terugroepen

Druk op **PRESET**, draai de **CONTROL KNOB** om door lijst met vooraf ingestelde stations te scrollen, druk vervolgens op de knop om een station te selecteren.



## Sluit een Bluetooth-apparaat aan

Wanneer u de bron verandert in Bluetooth, zal uw R7 proberen automatisch te verbinden met het laatste aangesloten apparaat. Als u uw apparaat nog niet hebt gekoppeld of het vorige apparaat niet beschikbaar is, zal uw R7 in de koppelmodus gaan. Zie het 'Bluetooth'-deel voor meer bijzonderheden.

## Koptelefoons

Sluit uw koptelefoon op de 3,5 mm stereosteekbuscontactdoos op de voorkant van uw R7 aan.

Het koptelefoonvolume wordt onafhankelijk van het speakervolume afgesteld, zodat, wanneer de koptelefoon is ingeschakeld, het volume wordt getoond als *Volume (HP)*.

## USB laden

De USB-stekkerbus op uw R7 is nominaal op 5 W (5 V 1,0 A) en zal de meeste smartapparaten en USB bekrachtigde accessoires bekrachtigen.

---

Let op: **MENU > System > Audio** betekent druk op **MENU**, selecteer **System** en selecteer tenslotte **Audio**

---

# Systeminstellingen

## Bas, treble en sub

### **MENU > System > Audio > Bass, Treble or Sub level**

Pas de bas- en trebleniveaus aan met behulp van de **CONTROL KNOB** druk er vervolgens op om de instelling op te slaan.

## Geluidssterkte

Geluidssterkte zet de treble- en basfrequenties automatisch op lagere volumes.

### **MENU > System > Audio > Loudness**

## 3D-geluid

3D verbreedt de stereogeluidsfase en creëert een meer immersief en betrekkelijk geluid.

### **MENU > System > Audio > 3D**

## Datum en tijd

### **MENU > System > Date and time**

De tijd en datum worden automatisch gesynchroniseerd met nationale tijdssignalen die worden uitgezonden over DAB en FM (FM-tijdssynchronisatie is mogelijk niet altijd beschikbaar).

U kunt de tijd ook handmatig instellen door auto-update uit te schakelen en de tijds- en datumformat te veranderen.

## Schermhelderheid

### **MENU > System > Brightness**

Pas de helderheid van de display aan terwijl uw R7 ingeschakeld is en op stand-by staat.

Wanneer de helderheid is ingesteld op 0, zal de display na een paar seconden automatisch uitschakelen. De display zal dan kort oplichten wanneer er op een toets wordt gedrukt.

Wanneer uw R7 in stand-by staat kunt u de stand-by helderheid ook aanpassen door op **▶▶** of **◀◀** te drukken.

## Taal

### **MENU > System > Language**

De menutaal veranderen.

## Software update

### **MENU > System > Software update**

Uw R7 is ingesteld op automatisch controleren op software-updates. Wanneer er een beschikbaar is, zal u worden gevraagd of u hem wilt downloaden en installeren.

LET OP: Door de stroom uit te schakelen tijdens een software-update zou uw R7 blijvend beschadigd kunnen zijn.

## In fabriek ingesteld

### **MENU > System > Factory reset**

Stelt alle instellingen opnieuw in en verwijdert de voorinstellingen.

---

*Thans opgeslagen instellingen zijn gemarkeerd met een asterisk (\*)*

---

## Setup wizard

### **MENU > System > Setup wizard**

Draait de setup wizard om u door het instellen van de klok en het netwerk te leiden.

## Inactieve stand-by

Uw R7 is op automatisch schakelen naar stand-by ingesteld als er gedurende meer dan 20 minuten geen audio is. Om dit te veranderen selecteert u **MENU > System > Inactive standby**.

## Netwerk-wizard

Voor een geleid proces om u te helpen aan te sluiten op een netwerk, selecteert u **MENU > System > Network > Network wizard**.

## Netwerk-profielen

Uw R7 zal automatisch proberen te verbinden met elk netwerk waarop het eerder is aangesloten.

Om de lijst van opgeslagen netwerken te zien, selecteert u **MENU > System > Network > Network profile**. Voor het wissen van een ongewenst netwerk, markeert u het, drukt u op de **CONTROL KNOB** en selecteert u **YES**.

## Houd het netwerk aangesloten

### **MENU > System > Network > Keep connected**

Kies of uw R7 altijd aangesloten blijft op uw Network, zelfs in stand-by (standaard). Wij adviseren u hem in te stellen op *keep connected* daar het zal garanderen dat uw R7

altijd toegankelijk is met behulp van Spotify- of DLNA-muiziekstreaming. Wij adviseren dit ook als u uw klok hebt ingesteld op update vanaf Network.

## Systeeminformatie

Toont bijzonderheden van uw R7 inclusief de softwareversie, unieke radio ID-code en bevriende naam.

## Geavanceerde netwerkinstellingen

Er zijn andere geavanceerde netwerkinstellingen voor ervaren gebruikers voor handmatige configuratie of diagnosticering en oplossen van netwerkproblemen.

## Bevriende naam

De bevriende naam is hoe uw R7 op netwerken, Spotify en Bluetooth verschijnt. U kunt dit veranderen in iets meer beschrijvends zoals "Archie's R7" of "Huiskamer R7".

U kunt de status van uw R7 bekijken en de bevriende naam veranderen door de webpage ervan in een browser te bekijken. In Windows zal uw R7 gewoonlijk zichtbaar zijn als een Media-apparaat, door op het pictogram te dubbelklikken zal de configuratiepage in uw browser openen.

Voor meer informatie bezoekt u [www.ruarkaudio.com/support](http://www.ruarkaudio.com/support)

## FM radio

Wanneer u naar FM luistert, zal uw R7-display de naam van het station en andere RDS/RBDS\* programma-informatie weergeven, indien beschikbaar.

*\*Radio Data System/Radio Broadcast Data System*



### Van station wisselen

Druk op ►► of ◄◄ om automatisch af te stemmen op het volgende beschikbare FM-station. Wanneer RDS/RBDS niet beschikbaar is, wordt in plaats daarvan de frequentie weergegeven.



## Scan-instellingen

U kunt de scan-instellingen veranderen om alleen te stoppen op stations met een sterk signaal door **Menu > Scan setting > Strong stations only** te selecteren.

## Programma-informatie

Kies uit radiotekst, programmatype, frequentie, signaalsterkte en datum door het selecteren van **MENU > Info**.

## Handmatig afstemmen

Selecteer **MENU > Manual tune** draai vervolgens hetzij de **CONTROL KNOB** of druk op ►► of ◄◄ om de frequentie te veranderen.

## Voorinstellingen opslaan

U kunt 10 FM-stations in uw lijst met voorinstellingen opslaan. De naam van het station zal alleen worden opgeslagen wanneer RDS/RBDS beschikbaar is. Zie het deel 'Veel voorkomende functies'.

## Voorinstelling oproepen

Zie het deel 'Veel voorkomende functies'.

## Mono

Naarmate een FM-signaal zwakker wordt, zal het ruisniveau toenemen. Selecteer **Menu > Mono** om dit te verminderen.

---

*Om ruis op zwakkere FM-stations verder te verminderen, adviseren wij het 3D-geluid uit te schakelen*

---

## DAB-radio

Wanneer u naar DAB/DAB+ luistert, zal uw R7-display de naam van het station en andere DLS\* programma-informatie weergeven, indien beschikbaar.

De eerste keer dat u uw R7 gebruikt, of wanneer de stationslijst leeg is, zal hij automatisch een volledige scan uitvoeren om beschikbare stations te identificeren.

*\*Dynamisch Label-segment*

### Van station wisselen

Druk op ►► of ◄◄ voor het afstemmen op het volgende/vorige station.

### Stationslijst

Om een lijst met beschikbare DAB-stations te bekijken, selecteert u **MENU > Station list** of drukt u op ►► of ◄◄. Markeer het station waarnaar u wilt luisteren en druk op **SELECT**.



### Programma-informatie

Kies uit radiotekst, programmatype, signaalsterkte, signaalformat en datum door **MENU > Info** te selecteren.

### Voorinstellingen opslaan

U kunt 10 DAB-stations in uw lijst met voorinstellingen opslaan. Zie het deel 'Veel voorkomende functies'.

### Voorinstelling oproepen

Zie het deel 'Veel voorkomende functies'.

### Secundaire services

Sommige DAB-radiostations hebben één of meer bijbehorende secundaire stations. Wanneer er een secundair station beschikbaar is wordt '>>' getoond na de naam van het huidige station in de stationslijst.

Secundaire stations worden aangegeven met '<<' vóór de naam van het station.

### Stationsvolgorde

De DAB-stationslijst kan worden besteld door middel van *Alphanumeric*, *Ensemble* of *Valid*. *Alphanumeric* zet de stations op alfabetische volgorde, *Ensemble* groepeert stations van dezelfde zender samen, *Valid* toont eerst beschikbare stations en plaatst ongeldige stations (gemarkeerd met '?') als laatste.

Om de volgorde van de stations te veranderen selecteert u **Menu > Stationsvolgorde** en selecteert u **Alphanumeric** (standaard), **Ensemble** of **Valid**.

---

*Ongeldige stations hebben '?' vóór de naam van het station*

---



## Stationsscan

Wanneer de stationslijst leeg is zal de radio automatisch een volledige scan uitvoeren zodra u overschakelt op DAB.

In elk geval adviseren wij u van tijd tot tijd een volledige scan uit te voeren om de stationslijst te updaten omdat:

- Er soms nieuwe stations ter beschikking komen
- Stations sluiten of mogelijk niet meer worden ontvangen
- De ontvangst slecht was tijdens de oorspronkelijke scan (de antenne bijvoorbeeld niet goed gemonteerd was)
- Ude radio naar een andere regio verplaatst

Voor het uitvoeren van een volledige scan, selecteert u **MENU > Scan**.

## Verwijder zwakke of onbruikbare stations

Bij zwakke (wervelende) of ongeldige stations staat '?' voor de naam van het station en deze kunnen worden verwijderd door **MENU > Prune invalid** te selecteren.

## Internetradio

Uw R7 kan duizenden internetradiostations en podcasts over de hele wereld afspelen (internetaansluiting nodig).

### Hoofdmenu

De eerste keer dat u naar internetradio luistert zult u het hoofdmenu voor deze modus zien.



Als u eerder op uw R7 naar internetradiostations hebt geluisterd, zal hij automatisch het laatst beluisterde station afspelen.

### Laatst beluisterd

Voor toegang tot een lijst van recent beluisterde stations selecteert u **MENU > Last listened**.

Wanneer u uw R7 voor het eerst gebruikt, zal de lijst leeg zijn.

### Stationslijst

U kunt browsen of zoeken naar de uitgebreide lijst stations door **MENU > Station list** te selecteren en uit de verschillende opties te selecteren, inclusief genre, locatie en populariteit.

## Informatie over wat nu speelt

De stationsnaam wordt samen met aanvullende informatie zoals artiest en tracknaam getoond. Om het weergegeven te veranderen selecteert u **MENU > Info** en kiest u uit radiotekst, genre, signaalkwaliteit, track-naam, locatie en datum.

## Zoeken naar een station

Zoek een station door **MENU > Station list > Stations > Search Stations** te selecteren en vervolgens de naam van het door u gezochte station in te voeren.

## Podcasts

Veel stations zullen bijbehorende podcasts hebben waarnaar u kunt browsen en zoeken net zoals internetradiostations.

## Mute

Druk op **▶||** om geluid te onderdrukken en druk opnieuw om luisteren te hervatten.

## Een voorinstelling opslaan

U kunt 10 Internetradiostations in uw lijst met voorinstellingen opslaan. Zie het deel 'Veel voorkomende functies'.

## Een voorinstelling opnieuw oproepen

Zie het deel 'Veel voorkomende functies'.

## Ruark radioportaal

Behalve instellingen vooraf, heeft *Internet radio* nog twee manieren voor het opslaan en organiseren van uw favoriete radiostations met behulp van het Ruark-radioportaal.

Bezoek **www.ruarkaudio.com/radioportal** voor meer informatie.

U zult de unieke portaaltoegangscode voor uw radio nodig hebben, noteer hem dus door **Menu > Station list > Help > Get access code** te selecteren.

## Mijn favorieten

Dit komt overeen met het opslaan van voorinstellingen, behalve dat de stations online zijn opgeslagen op het Ruark-radioportaal. Dit betekent dat uw opgeslagen favoriete stations vanaf elk op dezelfde account geregistreerd Ruark internetradioproduct toegankelijk zijn.

Om een station als a favoriet op te slaan, houdt u de **CONTROL KNOB** ingedrukt tot *Favourite added* wordt weergegeven. Dit is alleen beschikbaar als u uw R7 op het radioportaal hebt geregistreerd.

## Mijn toegevoegde stations

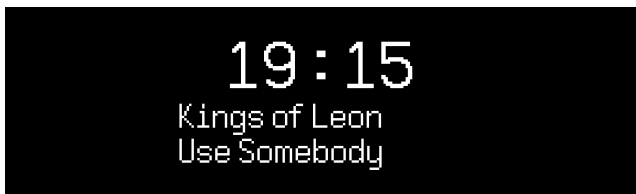
U kunt nog niet vermelde stations handmatig toevoegen door het online Ruark radioportaal te bezoeken. Op deze wijze toegevoegde stations zijn toegankelijk door **MENU > Station list > My added station** te selecteren.

## CD-speler

Om een CD in te steken duwt u hem voorzichtig in de CD-sleuf. Zodra hij is ingevoerd zal hij automatisch afspelen.

### Informatie over wat nu speelt

Over het algemeen wordt track-nummer en tijd getoond op audio-CD's en wordt de track en de naam van het album getoond op MP3-CD's.



Voor het verwisselen van wat er wordt weergegeven selecteert u **MENU > Info** en kiest u uit album en informatie over de artiest, voortgangsbalk of bestandsnaam (opties zullen afhankelijk van het type CD variëren).

### Play/Pause

Druk op ►|| om een track te spelen of te pauzeren

### Stop spelen

Druk lang op ►||

### Track overslaan

Druk op ►| of |◀ om naar de vorige of volgende track te gaan

### Fast-forward of rewind

Druk op ►► of ◀◀ voor fast-forward of rewind en houd vast

### Uitstoten

Druk op de knop voor uitstoten naast de CD-sleuf

### Shuffle

Om tracks in willekeurige volgorde te spelen selecteert u

**MENU > Shuffle > On**

### Herhalen

Voor het herhalen van een enkele track of alle tracks, selecteert u

**MENU > Herhaal > Eén of Alle**

---

*Elke mapstructuur op MP3/WMA/AAC disks zal worden genegeerd en de tracks zullen zichtbaar zijn in een enkele lijst  
Door rechten beschermde WMA en AAC kunnen niet worden afgespeeld*

---

# Bluetooth

Uw R7 ondersteunt aptX voor CD kwaliteits-streaming en aptX HD voor 24-bits hi-res streaming. Hij zal automatisch aansluiten op uw bluetooth-apparaat met behulp van aansluiting van de hoogste kwaliteit ondersteund door uw apparaat.

## Uw Bluetooth-apparaat koppelen

Wanneer u de bron hebt veranderd in Bluetooth, wacht dan tot *Awaiting connection...* wordt getoond en het indicatielampje bovenop knippert.

Gebruik de Bluetooth-opstelling op uw smart-apparaat om het te koppelen aan en aan te sluiten op uw R7. Het zal verschijnen in de lijst met gekoppelde apparaten als *Ruark R7\**. Indien aangesloten wordt *BT Connected + de naam van uw apparaat* (bijv. Archie's phone) weergegeven.

Het kan een paar seconden duren voordat uw R7 in de lijst op uw apparaat verschijnt en in sommige gevallen moet u mogelijk "0000" invoeren als het koppelingswachtwoord.

Als u niet binnen een paar minuten aansluit, zal uw R7 stoppen met proberen aan te sluiten en *No connection* weergeven. Om te verbinden, selecteer **MENU > Connect device**.

## Uw Bluetooth-apparaat aansluiten

Zodra u overschakelt op Bluetooth, zal uw R7 *Connecting* weergeven terwijl hij probeert aansluiting te krijgen op het laatste apparaat waaraan het was gekoppeld.

Als dat apparaat niet beschikbaar is, geeft het *Awaiting connection...* weer. Controleer voor verbinding met uw R7

of de Bluetooth-functie op uw apparaat is ingeschakeld en selecteer *Ruark R7\** uit de lijst met gekoppelde apparaten op uw Bluetooth-apparaat.

## Bevriende naam

\*Uw R7 zal te zien zijn als Ruark R7 op Bluetooth-apparaten, u kunt dit echter veranderen in iets dat meer beschrijvend is zoals "Archie's R7" of "Huiskamer R7". Zie 'Systeeminstellingen'.

## Audio spelen

Na verbinding zal audio vanaf uw Bluetooth-apparaat via uw R7 spelen. Raadpleeg de documentatie van uw apparaat voor meer informatie over het spelen van audio vanaf uw Bluetooth-apparaat.

N.B.: u moet mogelijk uw Ruark R7 of Bluetooth selecteren als uw audio-uitvoer op uw apparaat.

## Onderbreking van track

Druk op **▶||** en druk vervolgens opnieuw om te spelen.

## Speel volgende/vorige track

Druk op **▶▶** om naar de volgende track in de map of het album te gaan, druk op **◀◀** om naar het begin van de huidige track te gaan, druk weer om terug te gaan naar de vorige track.

## Volume afstellen

Wij adviseren u het volume op uw Bluetooth-apparaat zodanig af te stellen dat het playback-volume ongeveer hetzelfde is als andere bronnen. U kunt vervolgens de volumeregeling op uw R7 gebruiken om het algemene playback-volume af te stellen.

## Informatie over wat nu speelt

Artiest, album en tracknaam zullen worden getoond als uw Bluetooth-apparaat en app Bluetooth-metadata ondersteunen. U kunt ook de naam van het aangesloten apparaat tonen. Selecteer wat wordt getoond uit **MENU > Info**.

## Werkbereik

Dit is gewoonlijk maximaal 10 meter (30 voet) vanaf uw R7, hoewel obstructies zoals wanden dit zullen verminderen.

## Koppel het huidige apparaat los

Voor het loskoppelen van het huidige apparaat en aansluiten van een nieuw, selecteert u **MENU > Connect device**

## Extra apparaten koppelen

U kunt tot 7 apparaten koppelen, hoewel u slechts vanaf één apparaat tegelijk audio kunt spelen.

## De lijst met gekoppelde apparaten leeg maken

Als u problemen hebt met het verbinden van uw Bluetooth-apparaat, adviseren wij u alle koppelingsinformatie te verwijderen. Om dit te doen selecteert u **MENU > Clear devices**.

U moet ook *Ruark R7* wissen uit de lijst gekoppelde apparaten op uw Bluetooth-apparaat alvorens hem opnieuw aan uw R7 te koppelen.

Voor meer informatie bezoekt u [www.ruarkaudio.com/support](http://www.ruarkaudio.com/support)

---

*U kunt de Bluetooth-functie niet op uw R7 gebruiken voor verbinding met Bluetooth-koptelefoons*

---

# Muziekspeler

Muziekspeler stelt u in staat audiobestanden af te spelen die op een computer op uw netwerk, een USB-stick of draagbare harddrive zijn opgeslagen.

## USB muziekspeler

Om audio vanaf een USB massa-opslagapparaat (moet FAT32-format zijn) zoals een USB Flash-stick of USB harddrive te spelen, moet hij op de USB-contactdoos aan de achterkant van uw R7 worden aangesloten.

Wanneer u een USB-massaopslagapparaat voor het eerst aansluit, zal uw R7 automatisch vragen of u de tracklijst wilt zien. Anders selecteert u **Menu > USB**, om de track-lijst te bekijken.



## Netwerkmuziekspeler

Uw R7 is volledig DLNA-compatibel en zal muziek spelen die is opgeslagen in gedeelde mediabibliotheken en andere apparaten op uw netwerk. Een gedeelde bibliotheek zou bijvoorbeeld op een laptop, smartphone of tablet kunnen zijn,

maar zou ook op een specifieke muziekserver kunnen zijn zoals een NAS-drive (Network Attached Storage).

De meeste computers die Windows draaien zijn al geconfigureerd als mediaservers zoals de meeste NAS-drives en sommige routers zullen ook werken als mediaservers. Er zijn veel apps beschikbaar voor Mac, iOS, Linux, Android, Windows-telefoon, Blackberry, Symbian, enz. die van uw smartphone, tablet of laptop een DLNA-mediaserver maken.

Om muziek te spelen die door apparaten op uw netwerk wordt gedeeld, selecteert u **Menu > Shared media**. Nadat uw R7 uw netwerk heeft gescand voor gedeelde media zult u een lijst met muziekserver zien die de computernaam en de naam van de gedeelde media omvat, bijvoorbeeld *<Ruark-laptop: Archie Music>*.

De menu's hierna worden gegenereerd door de mediaserver, hoewel u in de meeste gevallen opties zult vinden om per genre, map, artiest, album enz. te browsen.

Als uw R7 niet is verbonden met een netwerk zal het proberen te verbinden.

Voor meer informatie bezoekt u [www.ruarkaudio.com/support](http://www.ruarkaudio.com/support)

## Muziek browsen en spelen

Draai de **CONTROL KNOB** om door de track-lijsten te scrollen, druk vervolgens op de knop om de gemarkeerde map/het album te openen of de track te spelen.

Druk op **BACK** om terug te gaan naar het vorige scherm.

---

*Door rechten beschermde WMA en AAC kunnen niet op uw R7 worden afgespeeld.*

---

## Onderbreking van track

Druk op ►|| en druk vervolgens opnieuw om te spelen.

## Track overslaan

Druk op ►► om naar de volgende track in de map of het album te gaan, druk op ◀◀ om naar het begin van de huidige track te gaan, druk weer om terug te gaan naar de vorige track.

## Fast-forward of rewind

Druk op ►► en houd vast of op ◀◀ voor fast-forward of rewind.

## Shuffle spelen

Om tracks in willekeurige volgorde te spelen, selecteert u **MENU > Shuffle** en drukt u op de **CONTROL KNOB** om shuffle spelen aan en uit te schakelen.

N.B.: Het is misschien niet mogelijk deze functie te gebruiken wanneer de map een groot aantal tracks bevat.

## Herhaal spelen

Om een enkele track of alle tracks in de huidige map te herhalen, selecteert u **MENU > Repeat** en drukt u op de **CONTROL KNOB** om spelen herhalen aan en uit te schakelen.

## Mijn speellijst

U kunt uw eigen speellijst creëren en maximaal 500 tracks achter elkaar zetten. Deze kunnen een mengsel van tracks van ongeacht welke beschikbare mediaservers en een aangesloten USB-apparaat zijn. Voor het beheer van uw speellijst, selecteert u **Menu > My playlist**.

Om een track of map aan uw speellijst toe te voegen, markeert

u hem en houdt u vervolgens de **CONTROL KNOB** twee seconden vast.

Om een track van uw speellijst te verwijderen markeert u de track in Mijn speellijst en houdt u vervolgens de **CONTROL KNOB** gedurende twee seconden ingedrukt.

Wij willen erop wijzen dat uw speellijst opgeslagen zal zijn zolang uw R7 aan of in stand-by blijft maar wordt verwijderd als u hem uitschakelt.

## Informatie over wat nu speelt

De tracknaam wordt gewoonlijk getoond met daaronder aanvullende informatie. Om het weergegevene te veranderen selecteert u **MENU > Info** en kiest u uit album en artiestinformatie, toon de voortgangsbalk of de gegevensformat.

## Servers optimaliseren

Uw R7 zal de naam van mediaservers waarop hij is aangesloten automatisch opslaan en die op dit moment niet beschikbaar zijn, worden getoond met een vraagteken voor de naam ervan, bijv. '?Home-Laptop'. U kunt ze uit de lijst verwijderen door het selecteren van **MENU > Prune servers > YES**.

## DLNA media-streaming

U kunt audio ook vanaf een Digital Living Network Alliance (DLNA) compatibele mediaserver naar uw R7 streamen. Dit is waar u zelf op de server naar muziek kunt browsen en het via uw R7 afspelen. Er zijn veel apps beschikbaar voor Mac, iOS, Linux, Android, Windows-telefoon, enz. die van uw smartphone, tablet of laptop een DLNA-mediaserver maken. Windows Media Player heeft zelfs een ingebouwde 'Play to' functie waarmee u op uw computer opgeslagen muziek rechtstreeks naar uw R7 kunt streamen.

Met DLNA-mediastreaming functioneert uw R7 als een Digital Media Renderer (DMR) zodat u op uw smartphone of laptop naar muziek kunt browsen en deze vervolgens via uw netwerk naar uw R7 kunt streamen.

Uw R7 zal automatisch overschakelen op DMR-modus wanneer u uw R7\* selecteert als uw gekozen speler – DMR is geen modus die kan worden geselecteerd met behulp van de **SOURCE** toets.

Op dezelfde manier zal alle Nu-spelend informatie door de server worden gecontroleerd zodat er geen instellingen zijn die u kunt veranderen. Raadpleeg de documentatie voor meer bijzonderheden voor uw apparaat of app of bezoek [www.ruarkaudio.com/support](http://www.ruarkaudio.com/support).

---

*Voor DLNA-mediastreaming is het nodig dat uw R7 is aangesloten op uw netwerk, daarom adviseren wij u hem in te stellen op 'keep network connected'. Zie het deel systeeminstellingen.*

---



# Muziekstreamingdiensten

Je R7 ondersteunt de onderstaande muziekstreamingdiensten.

## Spotify Connect

*Gebruik je telefoon, tablet of computer als een afstandsbediening voor Spotify. Ga naar [spotify.com/connect](https://spotify.com/connect) om te leren hoe je dat doet*

## Amazon Music

*Ga voor meer informatie naar [www.amazon.com](https://www.amazon.com)*

## Deezer

*Bezoek voor meer informatie [dzt.fm/airable](https://dzt.fm/airable)*

## TIDAL

*Bezoek voor meer informatie [tidal.com/try-now](https://tidal.com/try-now)*

Houd er rekening mee dat hoge TAIL-kwaliteit niet wordt ondersteund in de modus voor meerdere kamers. Als u naar TIDAL wilt luisteren in de modus voor meerdere kamers, wijzigt u de audiokwaliteit naar normaal met de Ruark Link-app.

Het bereik van ondersteunde muziekdiensten kan zonder kennisgeving veranderen.

NL



## In lijn en optisch

U kunt vanaf een externe analoge audiobron luisteren door hem aan te sluiten op In lijn 1 of 2 of een digitale bron door hem aan te sluiten op Optisch 1 of 2.

## Phono

Uw R7 omvat een high-fidelity phono-fase voorversterker voor gebruik met een bewegende magneet (MM) draaitafelcassette. Hij is niet ontworpen voor een bewegende spoeltype cassette. Om een draaitafel op uw R7 aan te sluiten, adviseren wij kwaliteitsphonokabels.

## Invoerniveau-instelling

Voor de beste audioprestatie, adviseren wij u het volumenniveau van een extern apparaat (bijv. draagbare muziekspeler of draaitafel) in evenwicht te brengen zodat het volume ervan ongeveer hetzelfde is als ingebouwde bronnen zoals CD of USB.

Wanneer het volume lager is, verhoog dan het invoerniveau.

Als het volume hoger of vervormd is, verhoog dan het invoerniveau.

---

Voor de beste audioprestatie, adviseren wij u het volumenniveau van externe apparatuur in evenwicht te brengen door invoerniveaus aan te passen

---

U kunt het invoerniveau instellen door **MENU > Input level** te selecteren en uw gewenste niveau te kiezen.

-3dB is het laagste niveau en geschikt voor audio-apparaten met uitvoeren op hoog niveau (2 Vrms) zoals een externe CD-speler.

+6dB is de standaard en is geschikt voor de meeste apparaten.

### In-lijn niveaus

Deze omvatten hogere toename-instellingen (tot maximaal +24dB) daar het uitvoerniveau van de koptelefoon op sommige mobiele apparaten zeer laag kan zijn.

### Phono-invoerniveaus

Deze zijn ontworpen om te werken met de meest voorkomende bewegende magneet (MM) cassettes, controleer de specificatie van uw cassette en selecteer de meest geschikte instelling.

- 3dB (6-8mV)

0dB (4-6mV)

+3dB (3-4mV)

+6dB (2-3mV)

Als uw externe audiobron een volumeregeling heeft moet u die mogelijk ook afstellen.

## Aardlussen

(Elimineren van brom en zoem)

Onder bepaalde omstandigheden kunt een brom of zoem horen bij aansluiting op een externe audiobron via Lijn-in of Phono invoer, bijvoorbeeld het spelen vanaf een op externe netstroom spelend apparaat of een apparaat dat stroom krijgt uit de USB-stekkerbus op uw R7.

Dit is helaas een tamelijk vaak voorkomend probleem dat niet altijd gemakkelijk te verhelpen is. Uw R7 omvat echter twee functies die zouden moeten helpen bij dit probleem.

### Wissel tussen Lijn-in 1 en Lijn-in 2

Lijn-in 2 is aarde-geïsoleerd en Lijn-in 1 niet, zodat u kunt merken dat de ene invoer rustiger is dan de andere.

### Gebruik de aarde-aansluiting op het achterpaneel

Als dit niet werkt of als u de Phono-invoer gebruikt, probeer dan de aarde vanaf uw externe apparaat te koppelen aan de aarde-aansluiting aan de achterkant van uw R7.

Voor meer informatie bezoekt u  
[www.ruarkaudio.com/support](http://www.ruarkaudio.com/support)

---

### BELANGRIJK

**Verwijder de netstroomkabel van uw R7 voordat u hem aansluit op zijn aarde-aansluiting. Als niet precies weet hoe u de aarde van uw externe apparaat moet aansluiten op de R7, vraag dan om advies!**

---

## Meerdere ruimten

Dit apparaat is volledig compatibel met Ruark Audio multi-room en stelt u in staat muziek naadloos van de ene ruimte naar de andere te laten stromen.

Om te beginnen moet u een groep van maximaal 6 apparaten creëren die allemaal dezelfde gesynchroniseerde audio spelen. Zodra u een groep hebt gecreëerd, kunnen er andere apparaten aan toegevoegd worden.

Voor het creëren van een groep selecteert u **MENU > Multi-room > Create new group**, voert u een naam in voor de groep en selecteert u OK. Selecteer uit de lijst van andere compatibele apparaten die op uw netwerk worden gevonden, maximaal 5 apparaten om samen te gaan met de groep en druk vervolgens op **MENU** om uw selectie te bevestigen en sluit af. Alle apparaten in de groep zullen nu gesynchroniseerd audio spelen.

Om apparaten aan de huidige groep toe te voegen, selecteert u **MENU > Multi-room > Add to group**

Om apparaten uit de huidige groep te verwijderen, selecteert u **MENU > Multi-room > Remove from group**

Om het huidige apparaat uit de groep te verwijderen selecteert u **MENU > Multi-room > Leave group**

Om de huidige groep te wissen selecteert u **MENU > Multi-room > Dissolve group**. De groep wordt opgeheven en multi-room playback zal stoppen.

U kunt multi-room playback ook instellen en regelen met behulp van de Ruark Audio Link app.

Voor meer informatie bezoekt u  
[www.ruarkaudio.com/support](http://www.ruarkaudio.com/support)

## App-besturing

U kunt uw R7 ook regelen en multi-room playback instellen met behulp van de Ruark Audio Link app. Zoek het op de Apple/Android-app winkel.

Voor meer informatie bezoekt u [www.ruarkaudio.com/support](http://www.ruarkaudio.com/support)

### App-toegangs PIN

Stel een PIN in om toegang tot uw R7 te beperken zodat alleen geautoriseerde gebruikers hem vanaf de Ruark Audio Link app kunnen bedienen.

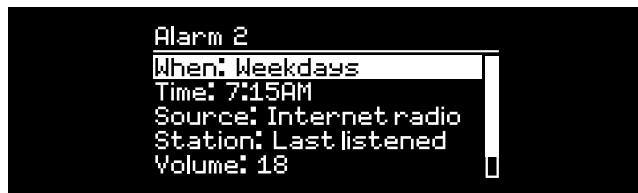
**MENU > System > Network > App access PIN.**

## Alarms, snooze en slaap

### Een alarm instellen

Een actief alarm wordt aangegeven door het alarmpictogram en wanneer het klinkt, knippert het pictogram.

Selecteer **MENU > System > Date and time > Alarms** en kies alarm 1 of alarm 2 met behulp van de **CONTROL KNOB**.



Kies wanneer het alarm zal klinken (uit, dagelijks, één keer, weekends of werkdagen), stel de tijd in en kies er vervolgens voor de wekker een radiostation, CD of een geluid te laten horen en kies tenslotte het volume. Selecteer tenslotte save om het alarm op te slaan en het set-up menu te verlaten.

N.B.: Het is niet mogelijk een Bluetooth-bron, USB of netwerkmuziekserver te gebruiken voor het alarm.

### Snooze

Druk op de **CONTROL KNOB** om een geluidalarm tijdelijk uit te schakelen, druk er weer op om de snooze-periode (5, 10, 15 of 30 minuten) te verlengen.

Om een alarm dat afgaat of op snooze staat uit te schakelen, houdt u de **CONTROL KNOB** gedurende twee seconden ingedrukt.

### Sleep-timer (slaaptijdschakelaar)

Om de tijd in te stellen waarna uw R7 automatisch zal overschakelen op stand-by, selecteert u **MENU > System > Date and time > Sleep**.

Kies de vertraging in minuten (Uit, 15, 30, 45, 60) en druk tenslotte op de knop om uw selectie te bevestigen. De display dimt vervolgens tot stand-by helderheid, keert terug naar het Nu--spelend scherm en geeft het slaappictogram weer.

# Specificaties

## Versterkers en drivers

2 x 5,5" dubbele concentrische drivers  
1 x 8" long-throw subwoofer  
180 W discrete Klasse AB versterker  
Geïntegreerde MM-fono voorversterker  
Versterkte digitale 3D audioprocessor

## Tuner

DAB, DAB+ en FM Tuner met RDS  
75 Ohm F-type DAB/FM-antenne-invoer

## CD-speler

CD, CD-ROM, CD-R/RW disks  
MP3, WMA tot maximaal 320 kbit/s

## Digitaal audio

Audiofiele 32-bits 112dB audiostereo DAC  
Internetradio, Spotify Connect, UPnP™ DLNA  
802.11b/g Wi-Fi ondersteunt WEP, WPA & WPA2 veiligheid  
MP3, WMA, AAC, FLAC, WAV  
SBC, AAC, A2DP, aptX, aptX HD Bluetooth

## Ingangen en uitgangen

1 x MM-fono-ingang (RCA)  
2 x Digitaal optisch (TOSLINK)  
2 x Lijningangen (RCA)  
1 x Lijn-lijn-uit (RCA)  
1 x Ethernet (RJ45)  
5 W (5 V 1 A) USB  
3,5mm stereojack koptelefoonuitgang

## Vermogen

Netstroominvoer: 100-120/200-240 V AC 50 – 60 Hz  
Zekering: 250 V T 6,30 A  
Nominaal verbruik: 25 W  
Stand-by verbruik: 1,0 W

## Fysiek

Afmetingen zonder poten:  
H165 mm x B1000 mm x D400 mm  
(H6,5" x B39,4" x D15,7")  
Gewicht (met poten): 27,8 kg (61,3 lbs)

Specificatie en ontwerp kunnen zonder mededeling worden aangepast.  
Digitale Tick-certificatie verkregen met behulp van de meegeleverde tweepolige draadantenne.

# Veiligheids- en regelgevende informatie

- Lees deze gebruikershandleiding en volg alle instructies, het zal u helpen bij het correct opstellen en bedienen van uw product.
- Let op alle waarschuwingen en bewaar deze gebruikershandleiding voor toekomstig gebruik.
- Probeer geen beschadigd apparaat te gebruiken daar dit zou kunnen resulteren in een gevaarlijke elektrische schok.
- De eenheid niet openen of ongeacht welke panelen verwijderen om de elektronica bloot te leggen. Geen interne onderdelen die door de gebruiker gerepareerd of onderhouden kunnen worden.
- Laat al het onderhoud over aan gekwalificeerd servicepersoneel. Onderhoud is nodig wanneer het apparaat op enige wijze is beschadigd, zoals het stroomvoorzieningssnoer of de stekker is beschadigd, er vloeistof is gemorst of voorwerpen in het apparaat zijn gevallen, het apparaat is blootgesteld aan regen of vocht, niet normaal werkt, of is gevallen.
- Dit apparaat is ALLEEN bedoeld voor bediening vanaf de AC-spanningen die op het paneel aan de achterkant worden vermeld of bijbehorende stroomvoorziening. Bediening vanuit andere spanningen dan de aangegeven kunnen onherstelbare schade aan het apparaat veroorzaken waardoor de productgarantie kan komen te vervallen.
- Controleer of de netstroomstekker of netstroomaansluiting in de eenheid gemakkelijk toegankelijk is in het geval dat loskoppeling van de netstroom nodig is.
- De netstroomadapter, netstroomstekker of netstroomaansluiting moet uit de contactdoos worden verwijderd om het systeem volledig los te koppelen van de netstroom.
- Plaats geen open vuurbronnen, zoals brandende kaarsen, op of bij het apparaat. Niet installeren in de buurt van warmtebronnen zoals radiatoren, kachels of andere apparaten, (inclusief versterkers) die warmte afgeven.
- Vermijd blootstelling aan extreme hitte of kou.
- Gebruik alleen voor dit apparaat gespecificeerde hulpstukken/ accessoires. Voer geen aanpassingen aan het systeem of de accessoires uit. Onbevoegde veranderingen kunnen de veiligheid, naleving van regels en prestatie van het systeem aantasten.
- Gebruik alleen de geleverde antenne of een goedgekeurde vervangende antenne.
- Om het risico op brand of elektrische schok te verminderen, het apparaat niet blootstellen aan regen of vocht. Dit apparaat niet blootstellen aan druppels of spetters en plaats geen met vloeistof gevulde voorwerpen, zoals vazen, op of bij het apparaat. Zoals met alle elektronische producten, pas op dat er in geen enkel deel van het systeem vloeistoffen worden gemorst. Vloeistoffen kunnen een defect en/of een brandgevaar veroorzaken.
- Neem de stekker van dit apparaat uit de contactdoos tijdens onweer of wanneer het gedurende lange tijd niet wordt gebruikt om schade aan dit apparaat te voorkomen.
- Om risico op brand of elektrische schok te voorkomen, vermijd overbelasting van wandcontactdozen, verlengsnoeren of integrale gemakscontactdozen.
- Langdurige blootstelling aan luide muziek kan gehoorbeschadiging veroorzaken. Het is het beste een extreem volume te vermijden bij gebruik van koptelefoons, met name gedurende langere perioden.
- Installeer dit apparaat niet in een besloten ruimte. Laat altijd een ruimte van ten minste 10 cm rond het apparaat open voor ventilatie en let op dat gordijnen of andere voorwerpen nooit ventilatieopeningen op het apparaat bedekken.



#### VEILIGHEIDSGEGEVENS VOOR LITHIUMKNOOPCELLEN.

De afstandsbediening bevat een lithiumknoopcelbatterij die, bij inname, chemische verbranding kan veroorzaken. Houd nieuwe en gebruikte batterijen buiten het bereik van kleine kinderen. Als u denkt dat er batterijen ingeslikt kunnen zijn, raadpleeg dan onmiddellijk een arts. Hanteer geen lekkende of beschadigde batterijen. Explosiegevaar wanneer een batterij verkeerd wordt vervangen. Alleen vervangen door hetzelfde of soortgelijke type.



Dit apparaat is gelabeld conform Europese Richtlijn 2012/19/EU met betrekking tot elektrisch en elektronisch afval. Dit symbool geeft aan dat het product of bijbehorende batterijen niet als gewoon huishoudelijk afval mogen worden weggegooid. Zoals met alle elektrische apparatuur, weggooien volgens lokale voorschriften.



#### CE-COMPLIANTIE-INFORMATIE

Dit product voldoet aan alle vereisten uit de EU Richtlijn zoals wettelijk van toepassing. U kunt een gratis kopie van de Conformiteitsverklaring verkrijgen door contact op te nemen met uw dealer, distributeur of Ruark Audio.

Ruark Audio verklaart hierbij dat dit apparaat voldoet aan de essentiële vereisten en andere relevante voorschriften van de Europese Richtlijn voor Radio-apparatuur 2014/53/EU.

U kunt de volledige CE- Conformiteitsverklaring downloaden op [www.ruarkaudio.com/doc/R7mk3doc.pdf](http://www.ruarkaudio.com/doc/R7mk3doc.pdf)

## Opsporen en oplossen van problemen

Voor hulp met uw product, zie de bladzijde met FAQ (Regelmatig gestelde vragen) in het ondersteunende gebied van onze website.

Voor meer informatie bezoekt u [www.ruarkaudio.com/support](http://www.ruarkaudio.com/support)

## Garantie-informatie

Wij garanderen dat dit product gedurende een periode van twee jaar vanaf de datum van aankoop vrij is van defecten, op voorwaarde dat men er de juiste zorg en aandacht aan heeft besteed. Door falen van het product door accidentele schade (ongeacht de oorzaak), excessieve slijtage en beschadiging, nalatigheid of onbevoegde modificatie zal uw garantie komen te vervallen.

Indien u een probleem ondervindt verzoeken wij u contact met ons op te nemen via onze website [www.ruarkaudio.com](http://www.ruarkaudio.com) of door rechtstreeks te bellen op 01702 601410 waar wij u zullen adviseren over de handelingswijze. Als uw product teruggestuurd moet worden dient het in zijn originele verpakking samen met het aankoopbewijs te worden teruggestuurd. Als het niet mogelijk is het product persoonlijk terug te brengen, dan dient het vooraf betaald via een goed bekend staande pakketdienst te worden verzonden. Wanneer de oorspronkelijke verpakking niet beschikbaar is, is vervangende verpakking bij ons te koop.

## Garantie voor overzeese verkopen

De distributeur in het land van aankoop garandeert producten die buiten het VK zijn aangeschaft. Voor bijzonderheden kunt u contact opnemen met uw lokale distributeur of verkooppunt van Ruark.

**DEZE GARANTIE VERANDERT OP GEEN ENKELE WIJZE DE WETTELIJK VOORGESCHREVEN RECHTEN VAN DE KOPER EN HEFT ZE NIET OP. E&OE (Onder voorbehoud van fouten en onvolledigheden)**

# ruarkaudio

59 Tailors Court, Temple Farm Industrial Estate,  
Southend on Sea, Essex, SS2 5TH, UK  
+44 (0) 1702 601 410 [www.ruarkaudio.com](http://www.ruarkaudio.com)

## Algemene verzorging

Schoonmaken met een zachte, niet pluizende stofdoek of iets vochtig gemaakte doek. Gebruik geen wassprays of andere stoffen daar deze de oppervlakteafwerking kunnen beschadigen of de prestatie kunnen verminderen.

Stel uw apparaat niet bloot aan direct zonlicht, hoge vochtigheid, stof, excessieve vibratie of extreme temperaturen, die allemaal schadelijk kunnen zijn voor de afwerking, prestatie en betrouwbaarheid van het apparaat.

Het aanbevolen werktemperatuurbereik is 5 °C tot 40 °C.

Kasten met een natuurlijke houtafwerking zullen variëren en lichter of donkerder worden naarmate ze ouder worden, met name wanneer ze worden blootgesteld aan zonlicht.

## Copyright en handelsmerken

© 2018 Ruark Audio. Alle rechten voorbehouden. Ruark Audio, het Ruark Audio logo en andere merken van Ruark Audio zijn eigendom van Ruark Audio en kunnen gedeponeed zijn. Alle andere handelsmerken zijn het eigendom van de respectievelijke eigenaren. Ruark Audio aanvaardt geen verantwoordelijkheid voor mogelijke fouten in deze handleiding en de daarin opgenomen informatie kan zonder berichtgeving veranderen.

Bluetooth® en bijbehorende logo's zijn gedeponeede handelsmerken die het eigendom zijn van Bluetooth SIG, Inc.

Qualcomm aptX en aptX HD zijn producten van Qualcomm Technologies International, Ltd.

De Spotify-software is onderworpen aan licenties van derden die hier te vinden zijn: [www.spotify.com/connect/third-party-licenses](http://www.spotify.com/connect/third-party-licenses)

Alle andere handelsmerken zijn het eigendom van de respectievelijke eigenaren.

Ontworpen in  
Groot-Brittannië



20190430.1





User guide	EN
Brugervejledning	DA
Bedienungsanleitung	DE
Guía del usuario	ES
Guide de l'utilisateur	FR
Manuale dell'utente	IT
Gebruikershandleiding	NL
<b>Brukerveiledning</b>	<b>NO</b>

ruarkaudio

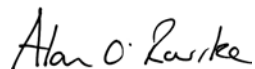
Takk for at du valgte vår R7 mk3 High Fidelity Radiogram.

Inspirert av klassisk design fra midten av forrige århundre, er R7 en videreutvikling av vårt originale ikoniske design, og med sitt imponerende utseende og forbausende lyd kvalitet garanterer vi at du vil gjenoppdage gleden med musikk igjen.

Ta deg tid til å lese denne brukerveiledningen, da det vil hjelpe deg å få det beste ut av din R7.

Med en hensiktsmessig behandling er vi sikre på at din nye R7 vil gi deg mange år med lytterglede, men om du skulle ha behov for hjelp eller råd må du gjerne ta kontakt med oss. Som et britisk, familiedrevet selskap, er vi stolte av kundeservicen vår og vi vil alltid gjøre vårt ytterste for å hjelpe.

Nok en gang, takk for at du valgte Ruark Audio.

A handwritten signature in black ink that reads "Alan O'Rourke". The signature is written in a cursive, slightly slanted style.

Alan O'Rourke  
Grunnlegger og administrerende direktør

# innhold

Innhold i esken	4	Musikkstrømmetjenester	25
Kontroller	5	Linje inn og optisk	26
Oversikt	6	Phono	26
Tilpasse ben eller føtter	7	Innstilling av inngangsnivået	26
Oppstart	8	Multi-rom	27
Vanlige funksjoner	10	App kontroll	28
Systeminnstillinger	13	Alarmer, slumre og sovemodus	28
FM-radio	15	Spesifikasjoner	29
DAB-radio	16	Informasjon om sikkerhet og forskrifter	30
Nettradio	17	Feilsøking	31
CD spiller	19	Garantiinformasjon	32
Bluetooth	20	Generelt vedlikehold	32
Musikkspiller	22	Opphavsrett og varemerker	32
DLNA-mediastømming	24		

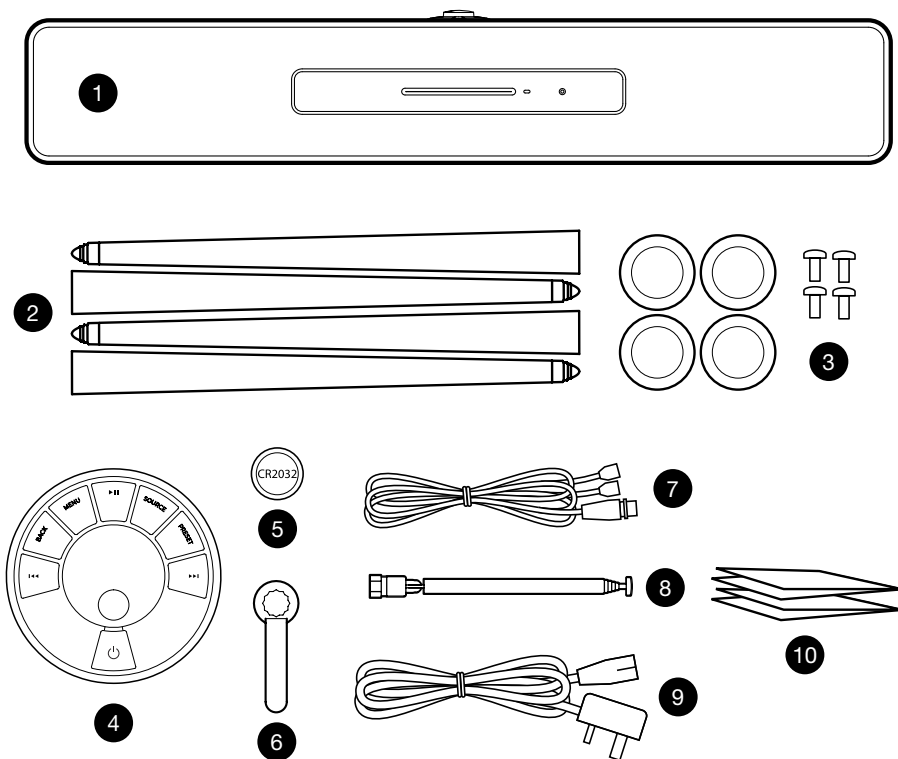
# Innhold i esken

Kontroller at alle deler som er oppført nedenfor følger med i esken.

Hvis det mangler deler må du ikke bruke R7, og ta kontakt med oss direkte hvis den er kjøpt i Storbritannia, eller med Rurark Audio-forhandleren din hvis den er kjøpt utenfor Storbritannia.

1. R7
2. Fire spindelben
3. Fire fot- og strammeskruer
4. Fjernkontroll
5. Batteri for fjernkontroll (CR2032)
6. Antennenøkkel
7. Antenneledning
8. Teleskopantenne
9. Strømledning
10. Bruksanvisning og andre dokumenter

Hvis mulig, ta vare på emballasjen.



# Kontroller

Kontrollene på R7 er akkurat de samme som på fjernkontrollen.


11.  – **STANDBY**


12. **KONTROLLKNAPP / SELECT**

Drei for å justere volumet fra en Nå-spilles-skjerm

Drei for å bla i menyer, spor eller stasjonslister\*


Ptrykk for å **VELGE**

13.  – trykk for å hoppe til neste stasjon eller spor, trykk og hold for hurtig framover

14.  – trykk for å hoppe til forrige stasjon eller spor, trykk og hold for hurtig bakover

15. **PRESET** - Trykk for å hente en lagret radiostasjon, eller trykk og hold i to sekunder for å lagre en radiostasjon

16. **SOURCE** - trykk for å endre lydkilde

17.  – trykk for å spille av/pause spor eller dempe lydinnganger og radio

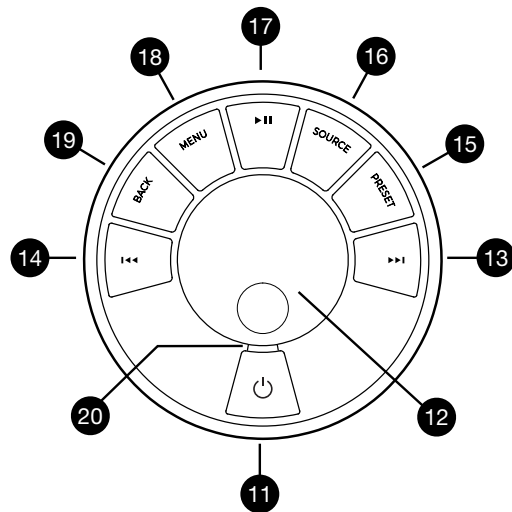
18. **MENU** – trykk for å se menyen



19. **BACK** - trykk for å gå tilbake til forrige meny eller listen

20. **INDIKATORLAMPE**

På R7 indikerer den at musikkssystemet er på og blinker når Bluetooth er klar til å parkobles eller når fjernkontrollen brukes.

På fjernkontrollen blinker den når man trykker på en knapp eller bruker kontrollknappen. Når batteriet er svakt vil lyset gå fra blått til ravgult.



\*Du kan også trykke på  eller  for å bla i menyer, spor eller stasjonslister

---

*Det har noe å si hvor lenge du holder inne en knapp*

*Trykk = trykk og slipp umiddelbart*

*Trykk og hold inne = trykk og slipp etter to sekunder*

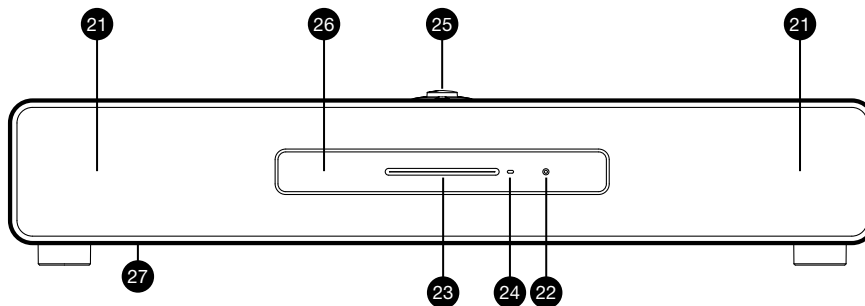
---

NO

# Oversikt

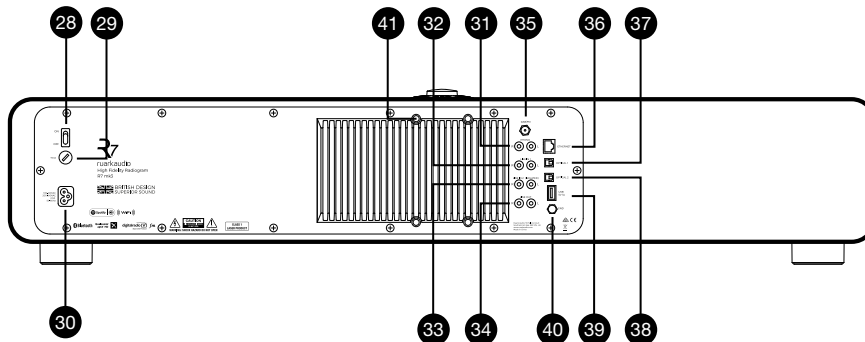
## Forside

- 21. Doble konsentriske stereo høyttalerelement
- 22. Hodetelefon ut (3,5mm jack)
- 23. CD-lastespor
- 24. CD utløserknapp
- 25. Kontroller
- 26. OLED Display
- 27. Subwoofer



## Tilbake

- 28. Strømbryter
- 29. Strømsikring
- 30. Strømledningsinngang
- 31. Phono-inngang
- 32. Linje inn 1
- 33. Linje inn 2
- 34. Linje ut
- 35. DAB-FM antenne
- 36. Ethernet
- 37. Optisk inngang 1
- 38. Optisk inngang 2
- 39. USB
- 40. Jordingsterminal
- 41. AV monterings festepunkter (4xM8)



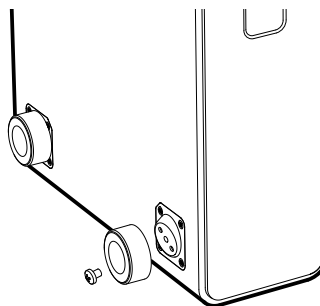
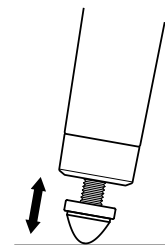
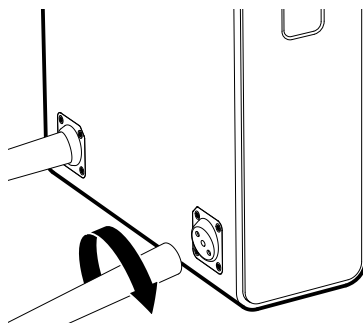
## Tilpasse ben eller føtter

**Få hjelp til å flytte på R7-en din da den er tung og lett kan bli skadet!**

Ta R7-en din forsiktig ut av beskyttelsesposen og legg den på siden på en stabil, ren overflate som ikke gir merke som et teppe eller selve posen.

For å montere R7 på bena, skru de fire benene inn i monteringsplatene på undersiden av kabinettet, og stram til hvert ben med håndkraft slik at de er sikkert festet, men pass på at du ikke strammer til for hardt. Snu forsiktig R7-en og flytt den til sin endelige posisjon, og, dersom det er nødvendig, juster fotendene for å sikre at det står fullstendig støtt.

For montering av din R7 på føtter, plasser en fot på hver monteringsplate på undersiden av kabinettet, og kontroller at alle er riktig justert. Bruk en passende skrutrekker for å sikre dem med de vedlagte skruene. Snu R7-en din forsiktig og plasser den på en dertil egnet solid og trygg overflate.



NO

*Vær forsiktig så du ikke skader høyttaler-rillene når du flytter din R7.*

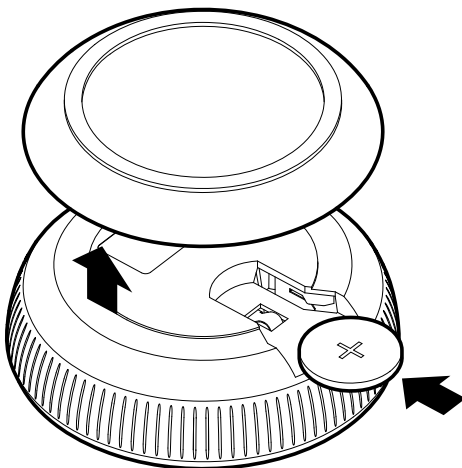


*R7-en er tung og feil behandling kan resultere i skader eller personskader.*

# Oppstart

## 1 Sett i fjernkontrollbatteriet

Trekk forsiktig av den magnetiske bunnplaten i stål og, med fjernkontrollen opp-ned, skyv batteriet (type CR2032) inn i sporet med den flate siden merket med + opp. Sett på igjen bunnplaten av stål.



---

*Vær oppmerksom på at det kan hende at fjernkontrollen ikke virker før den er parkoblet til hovedsystemet (se trinn 6).*

---

## 2 Koble til antennen

Monter enten ledningen eller teleskopantennen til DAB / FM-antennekontakten på baksiden av R7 og stram forsiktig til med den medfølgende nøkkelen. Bruk antennen som fungerer best for deg, men for best mottak anbefaler vi sterkt å bruke en ekstern, profesjonelt installert antenne.

## 3 Koble til strømmettet

Sett i strømledningen i strømkontakten på baksiden av musikkanlegget ditt og deretter koble til strømmettet.

## 4 Slå på

Sett hovedbryteren på baksiden av musikkanlegget ditt i stillingen ON. Din R7 står nå i standby.

For å slå på din R7, trykk **STANDBY** på kontrollene på kabinettet. Logoen for R7 vil vises på skjermen.





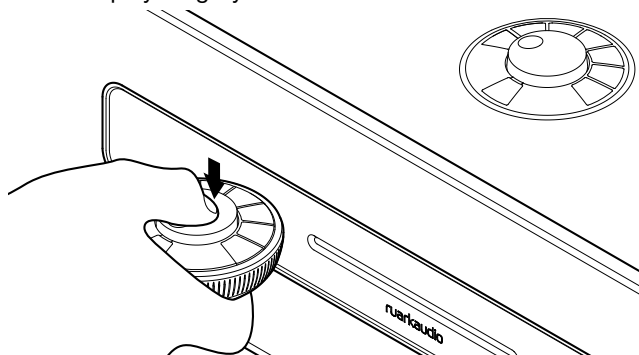
## 5 Velg språk

Drei **KONTROLLKNAPPEN** til valget ditt vises uthevet, og trykk deretter **SELECT**



## 6 Parkoble fjernkontrollen din

Når du er klar til å parkoble fjernkontrollen din, hold den nære **DIS**playet og trykk **VELG**.



Når fjernkontrollen din er ferdig parkoblet vil du se en bekreftelse skjerm, og fjernkontrollen er klar til bruk. Trykk **SELECT** for å fortsette.

Normalt vil du ikke trenge å parkoble den igjen, men dersom det skulle være nødvendig, bare hold den nær skjermen og hold nede hvilken som helst knapp til du ser bekreftelsesmeldingen. Du kan utføre dette i alle modus.

## 7 Konfigurasjonsveiviser

Når du slår på R7 for første gang vil en konfigurasjonsveiviser hjelpe deg med å konfigurere klokken og koble deg til Wi-Fi nettverket ditt.



For å starte opp konfigurasjonsveiviseren, drei på **KONTROLLKNAPPEN** for å utheve **YES** og deretter trykk på knappen for å **SELECT**. Dersom du velger **NO** vil din R7 starte uten å ha konfigurert klokken/datoen og nettverksinnstillingene.

## 8 Velg en kilde

Når oppsettet er ferdig, vil R7 vise en meny med en liste over tilgjengelige kilder. Bruk **KONTROLLKNAPPEN** for å velge en kilde og trykk **SELECT**.

## 9 Nyt musikken!

NO

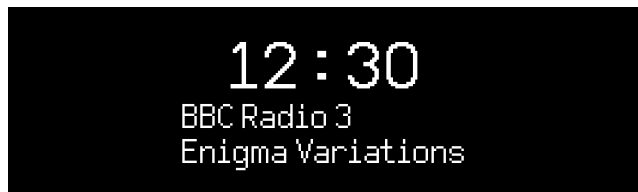
## Vanlige funksjoner

### Slå på og til standby

Trykk **STANDBY** for å slå på musikkkanlegget. Trykk igjen for å gå til standby.

### Spiller nå-skjermer

Med mindre du justerer en innstilling, ser skjermen ut som i eksempelet nedenfor med klokken over og stasjon / spor / album / artistinformasjon nedenfor.



Ikonene på skjermen nedenfor vises når deres respektive funksjoner er aktive



Alarm

Bland

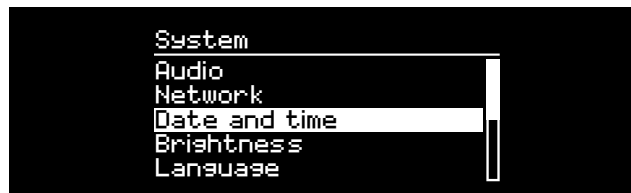


Slumrefunksjon

Repeter

## Meny skjermer

Menyene gjør deg i stand til å stille inn ulike alternativer, som for eksempel justering av bass og diskant. For å endre en innstilling trykker du på **MENU** for å vise listen over tilgjengelige alternativer, drei **KONTROLLKNAPPEN** for å markere det du ønsker å endre, og trykk deretter på knappen for å bekrefte valget.



### Bla gjennom menyer, spor og stasjonslister

For å endre innstillinger - trykk på **MENU**

For å bla gjennom alternativene - drei **KONTROLLBRYTEREN**

For å velge et alternativ – trykk på **KONTROLLKNAPPEN**

For å ut av menyen - trykk på **MENU** eller vent noen sekunder

For å gå tilbake til forrige meny/liste - trykk på **BACK**

---

*Det har noe å si hvor lenge du holder inne en knapp*

*Trykk = trykk og slipp umiddelbart*

*Trykk og hold inne = trykk og slipp etter to sekunder*

---

## Justere volumet

Drei **KONTROLLKNAPPEN** når displayet viser Nå spilles-skjermen.

Høytalervolumet og hodetelefonvolumet justeres separat, så når hodetelefonene er plugget inn vises volumet slik *Volum (HP)*.

MERK: Når du dreier **KONTROLLKNAPPEN** når en meny eller spor/stasjonsliste vises, vil markøren bla igjennom menyen og ikke endre volumet.

## Endre lydkilde

Trykk på **SOURCE** for å vise den aktuelle kilden, dreii **KONTROLLKNAPPEN** for å bla gjennom kildene, og trykk deretter på knappen for å velge. (Du kan også trykke **SOURCE** flere ganger for å bla gjennom listen over kilder i stedet for å dreie på bryteren.)



Internet radio

## Multi-rom

Dette apparatet er helt kompatibelt med Ruark Audio multi-rom og gir deg mulighet til å strøkke musikk sømløst fra ett rom til et annet. Se 'Multi-rom' avsnittet for mer informasjon.

## Pause avspilling eller dempe audio

Trykk på ►|| og trykk enda en gang for å fortsette å lytte.

## Spill neste/forrige spor

Trykk på ►► for å gå til neste spor i mappen eller albumet, trykk ◀◀ på for å gå til begynnelsen av gjeldende spor, trykk en gang til for å gå til forrige spor.

## Spole fremover eller bakover

Trykk og hold inne ►► eller ◀◀ (ikke tilgjengelig med Bluetooth).

## Endre FM-radiostasjon

Trykk på ►► eller ◀◀ for å gå til neste eller forrige spor. Se 'FM' avsnittet for mer informasjon.

## Endre DAB-radiostasjon

Trykk på ►► eller ◀◀ for å søke etter neste eller forrige stasjon.

Du kan også vise stasjonslisten ved å velge **MENU > Station list**.

Se 'DAB' avsnittet for mer informasjon.

## Endre stasjons- eller sporinformasjon

Stasjons-/sporinformasjon kan endres ved å velge ett av alternativene fra **MENY > Info**.

---

For å gå tilbake til forrige menynivå eller stasjonslisten, Trykk **BACK**

---

NO

## Lagre radiostasjon

Trykk og hold **PRESET** til 'Lagre forhåndsinnstillinger' vises, deretter drei **KONTROLLKNAPPEN** for å velge det forhåndsinnstilte nummeret og trykk på knappen for å lagre den aktuelle stasjonen. Forhåndsvalg er enten merket med stasjonsnavnet, frekvens eller som "[Not set]".



Hvis du lagrer en stasjon over en eksisterende stasjon, vil den nye stasjonen erstatte den gamle.

## Hente frem radiostasjon

Trykk **PRESET**, drei **KONTROLLBRYTEREN** for å bla gjennom listen av kilder, og trykk deretter på knappen for å velge en stasjon.



## Koble til en Bluetooth-enhet

Når du bytter kilde til Bluetooth vil din R7 automatisk forsøke å koble seg til sist tilkoblede enheten. Hvis du ennå ikke har parkoblet enheten eller den forrige enheten ikke er tilgjengelig, vil R7 gå til parkoblingsmodus. Se 'Bluetooth' avsnittet for mer informasjon.

## Hodetelefoner

Koble hodetelefonene til 3,5 mm stereo jack-kontakten på framsiden av din R7.

Hodetelefonvolumet justeres separat fra høyttalervolumet, så når hodetelefonene plugges inn vises volumet som *volume (HP)*.

## USB-lading

USB-kontakten på R7 er på 5W (5V 1.0A), og vil kunne brukes med de fleste smartapparater og USB-drevent tilleggsutstyr.

---

Merke: **MENU > System > Audio** betyr trykk **MENU**, velg **System** og til slutt velg **Audio**

---

# Systeminnstillinger

## Bass treble og sub

**MENU > System > Audio > Bass, Treble eller Sub nivå**

Juster bass- og diskantnivå ved hjelp av **KONTROLLKNAPPEN** og trykk for å lagre innstillingen.

## Loudness

Loudness øker automatisk diskant- og bassfrekvensene ved lavt volum.

**MENU > System > Audio > Loudness**

## 3D-lyd

3D utvider stereolyden og skaper et bredere lydbilde.

**MENU > System > Audio > 3D**

## Dato og tid

**MENU> System> Dato og klokkeslett**

Klokkeslett og dato blir automatisk synkronisert med nasjonale tids-signaler sendt over DAB-nettverket og FM (FM tids-synkronisasjon er ikke alltid tilgjengelig).

Du kan også stille inn tiden manuelt ved å slå automatisk oppdatering av, og endre tid- og datoformat.

## Lysstyrke i displayet

**MENU> System> Brightness**

Du kan uavhengig justere lysstyrken på skjermen når din R7 er på og i standby.

Når lysstyrken er satt til 0 vil skjermen automatisk slås av

etter noen sekunder. Skjermen vil deretter lyse svakt dersom hvilken som helst knapp trykkes ned.

Du kan også justere standby-lysstyrken mens din R7 er i standby ved å trykke på ►► eller ◀◀.

## Språk

**MENU> System> Language**

Velg språket for menyen.

## Programvareoppdatering

**MENU > System > Software update**

R7er satt til å se etter programvareoppdateringer automatisk. Hvis en oppdatering er tilgjengelig, vil du bli spurt om du ønsker å laste den ned og installere den.

MERK: Dersom strømmen kobles fra under en programvareoppdatering kan det føre til varige skader på din R7.

## Nullstilling til fabrikkinnstillinger

**MENU> System> Factory reset**

Tilbakestiller alle innstillinger og fjerner forhåndsinnstillinger.

## Konfigurasjonsveiviser

**MENU > System > Setup wizard**

Kjører veiviseren for å lede deg innstilling av klokken og nettverket.

---

*Gjeldende innstillinger er merket med en stjerne (\*)*

---

## Inaktiv standby

R7 er satt til å gå automatisk i standby hvis det ikke er lyd etter over 20 minutter. For å endre dette, velg **MENU > System > Inactive standby**.

## Nettverksveiviser

For hjelp til å koble til et trådløst nettverk, velger du **MENU > System > Network > Network wizard**.

## Nettverksprofiler

R7 vil automatisk forsøke å koble til ethvert nettverk som den tidligere har vært koblet til.

For å se listen over lagrede nettverk, velg **Menu > System > Network > Network profile**. For å slette et uønsket nettverk, markerer du det og bruker **KONTROLLKNAPPEN** og velger **JA**

## Permanent nettverkstilkobling

**MENU > System > Network > Keep connected**

Velg om R7 alltid skal være tilkoblet til det trådløse nettverket selv i standby (standard). Vi anbefaler at du angir innstillingen til alltid tilkoblet, da det vil sikre at din R7 alltid vil være tilgjengelig ved musikkstrømming fra Spotify eller DLNA. Vi anbefaler også dette hvis du har satt klokken til å oppdateres fra nettverket.

## Systeminformasjon

Viser informasjon om R7 som programvareversjon, unik radio ID-kode og logisk navn.

## Avanserte nettverksinnstillinger

Det finnes andre avanserte innstillinger for erfarne brukere for manuell konfigurering, eller for å diagnostisere og løse nettverksproblemer.

## Logisk navn

Det logiske navnet er navnet som vises for din R7 i nettverk, Spotify og Bluetooth. Du kan endre dette til noe mer beskrivende som "Pers R7" eller "Stue R7".

Du kan vise status på R7 og endre det logiske navnet ved å gå inn på dennes nettside i nettleser. I Windows vises din R7 vanligvis som en medieenhet. Et dobbeltklikk på ikonet åpner konfigurasjonssiden i nettleseren din.

For mer informasjon, se [www.ruarkaudio.com/support](http://www.ruarkaudio.com/support)

## FM-radio

Når du hører på FM, viser din R7 stasjonsnavnet og annen RDS/RBDS\* programinformasjon når dersom denne er tilgjengelig.

*\*Radio Data System/Radio Broadcast Data System*



### Endre stasjon

Trykk ►► eller ◀◀ for automatisk å gå til til neste FM-stasjon. Hvis RDS/RBDS ikke er tilgjengelig vises frekvensen i stedet.



### Skann innstillinger

Du kan endre skanneinnstillingen slik at den stopper på stasjoner med et sterkt signal ved å velge **Menu > Scan setting > Strong stations only**.

## Programinformasjon

Velg mellom radiotekst, programtype, frekvens, signalstyrke og dato ved å velge **MENU > Info**.

### Manuelt søk

Velg **MENU > Manual tune** og dreier deretter **KONTROLLKNAPPEN** eller trykk på ►► eller ◀◀ for å endre frekvensen.

### Lagre forhåndsinnstillinger

Du kan lagre 10 FM-stasjoner i listen over forhåndsinnstilte. Stasjonsnavnet vil bare lagres når RDS/RBDS er tilgjengelig. Se "Funksjoner".

### Hente frem et forhåndsvalg

Se "Funksjoner".

### Mono

Etterhvert som et FM signal blir svakere vil støynivået bli høyere. For å redusere dette, velg **Menu > Mono**.

NO

---

*For å redusere støysus på svake Fm stasjoner enda mer, anbefaler vi å sette 3D-lyden på AV*

---

# DAB-radio

Når du lytter til DAB / DAB +, viser din R7 stasjonsnavnet og andre DLS \* -programmer når disse er tilgjengelige.

Den første gangen du bruker din R7, eller hvis stasjonslisten er tom, vil den automatisk utføre en full skanning for å finne ut hvilke stasjoner som er tilgjengelige.

*\*Dynamic Label Segment*

## Endre stasjon

Trykk på ►► eller ◀◀ for å søke etter neste/forrige stasjon.

## Stasjonsliste

For å se en liste over tilgjengelige DAB-stasjoner velg **MENU > Station list** eller trykk ►► eller ◀◀. Marker stasjonen som du ønsker å høre på og trykk **SELECT**.



## Programinformasjon

Velg mellom radiotekst, programtype, frekvens, signalstyrke, signalformat og dato ved å velge **MENU > Info**.

## Lagre forhåndsinnstillinger

Du kan lagre 10 forhåndsinnstilte DAB-stasjoner i listen. Se "Funksjoner".

## Hente frem et forhåndsvalg

Se "Funksjoner".

## Sekundære stasjoner

Noen DAB-stasjoner har en eller flere sekundære tilknyttede stasjoner. Hvis en sekundærstasjon er tilgjengelig vises ">>" etter gjeldende stasjonsnavn i stasjonslisten.

Sekundærstasjoner er markert med "<<" før stasjonsnavnet.

## Stasjonsrekkefølge

DAB-stasjonslisten kan ordnes etter *Alphanumeric*, eller *Ensemble* eller *Valid*. *Alphanumeric* setter stasjonene i alfabetisk rekkefølge, *Ensemble* grupperer stasjoner fra samme kringkaster, *Valid* viser tilgjengelige stasjoner først, og setter ugyldige stasjoner (merket med "?") til sist.

For å endre stasjonsrekkefølgen, velg **Menu > Station order** og velg **Alphanumeric** (standard), **Ensemble** eller **Valid**.

---

*Ugyldige stasjoner har et "?" foran stasjonsnavnet*

---



## Stasjonskanning

Hvis stasjonslisten er tom vil radioen automatisk utføre en full skanning så snart du bytter til DAB.

I alle fall anbefaler vi at du gjør en full skanning fra tid til annen for å oppdatere kanallisten fordi:

- Nye stasjoner kan noen ganger bli tilgjengelig
- Stasjoner stenger eller kan ikke lenger mottas
- Mottaket var dårlig under den opprinnelige skanningen (for eksempel var ikke antennen riktig tilkoblet)
- Du flytter radioen til en annen region

For å utføre en full skanning, velg **MENU > Scan**.

## Fjerne svake eller ugyldige stasjoner

Svake (støyende) eller ugyldige stasjoner har '?' foran stasjonsnavnet og kan fjernes ved å velge **MENU > Prune invalid**.

## Nettradio

Din R7 kan spille av tusenvis av Internett-radiostasjoner og podkaster fra hele verden (tilkobling til internett kreves).

### Hovedmeny

Første gangen du lytter til nettradio vil du se hovedmenyen for denne modusen.



Hvis du har lyttet til nettradio på R7 før, vil den automatisk gå til den siste stasjonen som ble lyttet til.

### Siste stasjon

For å få tilgang til en liste over nylige stasjoner, velg **MENU > Last listened**.

Når du bruker R7 for første gang vil listen være tom.

### Stasjonsliste

Du kan bla gjennom eller søke i den omfattende listen over stasjoner ved å velge **MENU > Station list** og velge fra de ulike alternativene, som sjanger, sted og popularitet.

## Informasjon om hva som spilles nå

Navnet på stasjonen vises sammen med annen informasjon som artist og låtnavn. For å endre hva som vises, velg **MENU > Info** og velg mellom radiotekst, sjanger, signalstyrke navn på spor, sted og dato.

## Søke etter en stasjon

Du kan søke etter en stasjon ved å velge **MENU > Station list > Stations > Search stations** og deretter taste inn navnet på stasjonen du leter etter.

## Podcast

Mange stasjoner vil ha tilknyttede podcaster som du kan bla gjennom og søke etter, akkurat som nettradiostasjoner.

## Lyd av

Trykk på ►|| for å dempe lyden og trykk en gang til for å fortsette å lytte.

## Lagre en radiostasjon

Du kan lagre 10 nettradiostasjoner i listen over forhåndsvalg. Se "Funksjoner".

## Hente opp en forhåndsinnstilt radiostasjon

Se "Funksjoner".

## Ruark radiportal

I tillegg til å kunne lagre radiostasjoner, har *netradio* ytterligere to måter å lagre og organisere dine favorittradiostasjoner ved hjelp av Ruark radiportal på Internett.

Se [www.ruarkaudio.com/radiportal](http://www.ruarkaudio.com/radiportal) for mer informasjon.

Du vil komme til å trenge radioens unike tilgangskode for portalen. Gå inn i **Menu > Station list > Help > Get access code** og noter den ned.

## Mine favoritter

Dette ligner på lagring av forhåndsvalg, bortsett fra at stasjonene blir lagret på Ruark radiportal på Internett. Dette betyr at dine lagrede favorittstasjoner er tilgjengelig fra enhver Ruark netradio som er registrert på samme konto.

For å lagre en stasjon som favoritt, trykk og hold inne **KONTROLLKNAPPEN** til *Favorite added* vises. Dette er kun mulig hvis du har registrert din R7 på radiportalen.

## Mine tillagte stasjoner

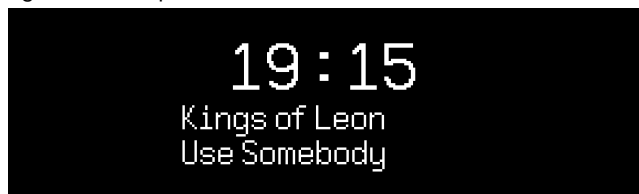
Du kan manuelt legge til stasjoner som ikke allerede er oppført ved å gå inn på Ruark radiportal. Stasjoner som legges til på denne måten er tilgjengelige ved å velge **MENU > Station list > My added stations**.

## CD spiller

For å sette inn en CD, dytt den forsiktig inn i CD-sporet. Etter at den er ladet vil den avspilles automatisk.

### Informasjon om hva som spilles nå

Generelt vises spornummer og tid vist på lyd-CD-er og spor og albumnavn på MP3-CD-er.



For å endre det som vises, velg **MENU > Info** og velg mellom album og artistinformasjon, fremdriftslinje eller filnavn (alternativene vil variere i henhold til type CD).

### Play / Pause

Trykk **▶||** for å spille av eller stoppe et spor

### Stop play

Trykk lenge på **▶||**

### Hopp over spor

Trykk på **▶|▶** eller **◀|◀** for å gå til neste eller forrige spor

### Spole fremover eller bakover

Hold inne **▶|▶** eller **◀|◀** for å spole fremover eller bakover

### Eject

Trykk på eject-knappen ved siden av CD-sporet

### Tilfeldig rekkefølge

For å spille av spor i tilfeldig rekkefølge velg

**MENU > Shuffle > On**

### Gjenta

For å gjenta ett enkelt spor eller alle sporene, velg

**MENU > Repeat > One eller All**

NO

---

*Enhver mappestruktur på MP3/WMA/AAC diskene vil bli ignorert og sporene vil vises i en enkelt liste*

*Rettighetsbeskyttede WMA og AAC-spor kan ikke avspilles*

---

## Bluetooth

Din R7 støtter aptX for strømming i CD-kvalitet og aptX HD for 24-biters hi-res strømming. Den kobler automatisk til Bluetooth-enheten din ved å bruke den høyeste kvalitetstilkoblingen som støttes av enheten din.

### Parkobling av Bluetooth-enheten din

Når du har endret kilden til Bluetooth, vent til *Awaiting connection...* vises og indikatorlampen (25) på toppen blinker.

Bruk Bluetooth-oppsatt på smartenheten som skal parkobles og koble den til din R7. Den vil vises i listen over parkoblede enheter som *Ruark R7\**. Når enheten er tilkoblet, vises *BT connected + navnet* på enheten din (for eksempel Pers telefon).

Det kan ta noen sekunder før R7 vises i listen over enheter, og i enkelte tilfeller må du taste inn "0000" som passord for parkoblingen.

Hvis du ikke kobler til i løpet av få minutter, vil din R7 slutte å prøve å koble til og vise *No connection*. For å koble til, velger du **MENU > Connect device**.

### Koble til Bluetooth-enheten

Så snart du bytter til Bluetooth, vil din R7 vise *Connecting* mens den forsøker å koble seg til den siste enheten den var koblet til.

Hvis enheten ikke er tilgjengelig, viser den *Awaiting connection...* For å koble til din R7, kontroller at Bluetooth-funksjonen på enheten er på, og velg *Ruark R7\** fra listen over parkoblede enhetslisten på Bluetooth-enheten din.

## Logisk navn

\*R7 vil vises som Ruark R7 på Bluetooth-enhetene, men du kan endre dette til noe mer beskrivende som "Per R7" eller "Stue R7". Se 'Systeminnstillinger'.

## Spille av lyd

Når enhetene er parkoblet vil lyden fra Bluetooth-enheten spilles av gjennom din R7. For mer informasjon om å spille av lyd fra en Bluetooth-enhet, se dokumentasjonen til enheten din.

Vær oppmerksom på at du må velge Ruark R7 eller Bluetooth som musikkspiller på enheten.

## Pause et spor

Trykk på **▶||** og trykk enda en gang for å fortsette avspillingen.

## Spill neste/forrige spor

Trykk på **▶▶** for å gå til neste spor i mappen eller albumet, trykk **◀◀** på for å gå til begynnelsen av gjeldende spor, trykk en gang til for å gå til forrige spor.

## Justere volumet

Vi anbefaler at du justerer volumet på Bluetooth-enheten, slik at avspillingsvolumet er omtrent det samme som på andre kilder. Du kan deretter bruke volumkontrollen på din R7 for å justere det totale avspillingsvolumet.

## Informasjon om hva som spilles nå

Artist, album og låtnavn vises så sant Bluetooth-enheten og applikasjonen støtter Bluetooth metadata. Du kan også vise navnet på den tilkoblede enheten. Velg hva som skal vises fra **MENU > Info**.

## Rekkevidde

Rekkevidden er vanligvis opp til 10 meter (30 fot) fra din R7, men hindringer, som f.eks. vegger, kan redusere dette.

## Koble fra gjeldende enhet

For å koble fra gjeldende enhet og koble til en ny, velger du **MENU > Connect device**.

## Pare flere enheter

Du kan parkoble opp til 7 enheter, selv om du bare vil være i stand til å spille av lyd fra én enhet om gangen.

## Tømme parkoblingslisten

Hvis du har problemer med å koble til Bluetooth-enheten, anbefaler vi deg å tømme all tilkoblingsinformasjon. For å gjøre dette, velg **MENU > Clear devices**.

Du vil også måtte slette *Ruark R7* fra listen på Bluetooth-enheten før du parkobler den med R7 på nytt.

For mer informasjon, se [www.ruarkaudio.com/support](http://www.ruarkaudio.com/support)

---

*Du kan ikke bruke Bluetooth-funksjonen på din R7 for å koble til Bluetooth-hodetelefoner*

---

# Musikkspiller

Med musikkspilleren kan du spille av lydfiler som er lagret på en datamaskin i nettverket ditt, eller fra en USB-minnepinne eller en bærbar harddisk.

## USB musikkspiller

For å spille av lyd fra en USB-enhet (den må være i format FAT 32), for eksempel en USB minnepinne eller USB harddisk, koble den til USB-kontakten på baksiden av din R7.

Når du først kobler til en USB-enhet vil R7 automatisk spørre om du ønsker å se sporlisten. Ellers kan du se sporlisten ved å velge **Menu > USB**.



## Nettverksmusikkspiller

R7 er fullt DLNA-kompatibel og vil kunne spille musikk som er lagret i delte mediebiblioteker på andre enheter på nettverket ditt. Et delt bibliotek kan være en laptop, smarttelefon eller nettbrett, men det kan også være en dedikert musikkserver som f.eks. en NAS-stasjon (Network Attached Storage).

De fleste datamaskiner som kjører Windows er allerede konfigurert som medieservere, det er også de fleste NAS-

stasjoner og noen rutere vil også fungere som medieservere. Det er mange apper tilgjengelig for Mac, iOS, Linux, Android, Windows Phone, Blackberry, Symbian, etc. som vil gjøre en MP3-spiller, smarttelefon, eller nettbrett til en musikkserver.

For å spille av musikk som deles av enheter på nettverket, velg **Menu > Shared media**. Etter at R7 har søkt etter delte media i nettverket, vil du se en liste over musikkservere som består av datamaskinnavn og navn på delt media, for eksempel <Ruark-Laptop: Per Music>.

Menyene etter dette genereres av medieserveren du er koblet til, men i de fleste tilfeller vil du finne alternativer for å bla gjennom etter sjanger, mappe, artist, album, osv.

Hvis din R7 ikke er koblet til et nettverk vil den forsøke å koble til.

For mer informasjon, se [www.ruarkaudio.com/support](http://www.ruarkaudio.com/support)

## Bla gjennom og spille av musikk

Drei **KONTROLLKNAPPEN** for å bla gjennom spillelister, og trykk deretter på knappen for å åpne den merkede mappen/albumet eller spille av sporet.

For å gå tilbake til den forrige skjermen, trykk **BACK**.

## Pause et spor

Trykk på **▶||** og trykk enda en gang for å fortsette avspillingen.

---

*Rettighetsbeskyttede WMA og AAC-spor kan ikke spilles av på din R7.*

---

## Hopp over spor

Trykk på ►► for å gå til neste spor i mappen eller albumet, trykk ◄◄ på for å gå til begynnelsen av gjeldende spor, trykk en gang til for å gå til forrige spor.

## Spole fremover eller bakover

Hold inne ►► eller ◄◄ for å spole fremover eller bakover.

## Tilfeldig avspilling

For å spille av spor i tilfeldig rekkefølge, velger du **MENU > Shuffle** og trykker på **KONTROLLKNAPPEN** for å slå av og på tilfeldig avspilling.

MERK: Denne funksjonen kan være utilgjengelig hvis mappen inneholder et stort antall lydspor.

## Gjenta avspilling

For å gjenta et enkelt spor eller alle sporene i gjeldende mappe, velger du **MENU > Repeat** og trykker på **KONTROLLKNAPPEN** for å slå av og på gjentatt avspilling.

## Min spilleliste

Du kan lage din egen spilleliste og kø på opptil 500 spor. Disse kan være en blanding av spor fra alle tilgjengelige medieservere og en tilkoblet USB-enhet. For å administrere en spilleliste, velger du **Menu > My playlist**.

For å legge et spor eller mappe til spillelisten, merker du det og holder inne **KONTROLLKNAPPEN** i to sekunder.

For å fjerne et spor fra spillelisten, merk sporet i spillelisten og hold deretter inne **KONTROLLKNAPPEN** i to sekunder.

Vær oppmerksom på at spillelisten din blir lagret så lenge R7 forblir på eller i ventemodus, men vil bli slettet hvis du slår av den.

## Informasjon om hva som spilles nå

Vanligvis vises spornavnet med tilleggsinformasjon under. For å endre hva som vises, velg **MENU > Info** og velg mellom album og artistinformasjon, vis fremdriftslinjen eller dataformatet.

## Fjerne servere

R7 vil automatisk lagre navnet på alle medieservere den har vært koblet til, og de som ikke er tilgjengelig for øyeblikket vises med et spørsmålstegn før navnet f.eks. "*?Home-laptop*". Du kan fjerne disse serverne ved å velge **MENU > Prune servers > YES**.

# DLNA-mediastrømming

Du kan også strøme lyd til din R7 fra en DLNA-kompatibel (Digital Living Network Alliance ) medieserver. Her kan du søke etter musikk på selve serveren og spille den gjennom R7.

Det er mange applikasjoner tilgjengelig for Mac, iOS, Linux, Android, Windows Phone, etc. som vil gjøre smarttelefonen, nettbrettet eller laptopen om til en DLNA-server. Windows Media Player har en integrert "Spill til"-funksjon som lar deg strøme musikk som er lagret på datamaskinen din direkte til R7.

Med DLNA mediastreaming fungerer R7 som en DMR (Digital Media Renderer), slik at du søker etter musikk på smarttelefonen eller en bærbar PC og deretter strømmer den til R7 over nettverket.

R7 vil automatisk gå til DMR-modus når du velger R7\* som din valgte spiller - DMR kan ikke velges med **SOURCE** -knappen.

Tilsvarende vil informasjon om gjeldende avspilling styres av serveren, så det er ingen innstillinger du kan endre.

For mer informasjon, se dokumentasjonen for apparatet eller app-en, eller se [www.ruarkaudio.com/support](http://www.ruarkaudio.com/support).

---

*DLNA-strømming krever at R7 er koblet til ditt trådløse nettverk, så vi anbefaler at du setter den til "keep network connected". Se avsnittet for systeminnstillinger.*

---



# Musikkstrømmetjenester

Din R7 støtter musikkstrømmetjenestene vist under.

## Spotify Connect

*Bruk telefonen, nettbrettet eller datamaskinen som en fjernkontroll for Spotify. Gå til [spotify.com/connect](https://spotify.com/connect) for å lære hvordan*

## Amazon Music

*For flere detaljer, gå til [www.amazon.com](https://www.amazon.com)*

## Deezer

*For flere detaljer, gå til [dizr.fm/airable](https://dizr.fm/airable)*

## TIDAL

*For flere detaljer, gå til [tidal.com/try-now](https://tidal.com/try-now)*

Vær oppmerksom på at TIDAL høy kvalitet ikke støttes i flerromsmodus. Hvis du vil lytte til TIDAL i flerromsmodus, endrer du lyd kvaliteten til normal ved hjelp av Ruark Link-appen.

Utvalget av støttede musikkjenester kan endres uten varsel.



## Linje inn og optisk

Du kan lytte til lyd fra en ekstern analog lydkilde ved å koble den til Linje inn 1 eller 2 eller en digital kilde ved å koble den til Optisk 1 eller 2.

## Phono

Din R7 inkluderer en high-fidelity phono stage forforsterker med en bevegelig magnet-pick-up (MM).

Den er ikke beregnet for en MC-pick-up.

For å koble en platespiller til din R7, anbefaler vi høykvalitets phono-ledninger.

## Innstilling av inngangsnivået

For best lydtelse anbefaler vi at du balanserer volumnivået på en ekstern enhet (f.eks. bærbar musikkspiller eller platespiller), slik at volumet er omtrent det samme som innebygde kilder som CD eller USB.

Hvis volumet er lavere må du øke inngangsnivået.

Hvis volumet er høyere eller forvrengt, må du redusere inngangsnivået.

---

For best lydtelse, anbefaler vi at du balanserer volumnivået på eksterne enheter ved å justere inngangsnivåer

---

Du kan justere inngangsnivået ved å velge **MENU > Input level** og velge ditt ønskede nivå.

-3dB er det laveste nivået og passer for lydenheter med høye utgangsnivåer (2 Vrms) som en ekstern CD-spiller.

+ 6dB er standard og passer for de fleste enheter.

### Linje inn-nivåer

Disse inkluderer høyere forsterkningsinnstillinger (opptil + 24dB), da hodetelefonutgangsnivået kan være ganske lavt på enkelte mobile enheter.

### Phono-inngangsnivåer

Disse er utformet for å fungere med de vanligste bevegelig magnet-pick-upene (MM), sjekk spesifikasjonen på pick-upen og velg den passende innstillingen.

- 3dB (6-8mV)

0dB (4-6mV)

+3dB (3-4mV)

+6dB (2-3mV)

Hvis din eksterne lydkilde har en volumkontroll må du kanskje justere denne.

# Jordsløyfer

(Eliminering av humming og susing)

Under noen omstendigheter kan du høre humming eller susing når du kobler til en ekstern lydkilde via Linje inn eller Phonoinggangen, for eksempel å spille fra en eksternt strømforsynt enhet eller en som er drevet av USB-kontakten på din R7.

Dessverre er dette et relativt vanlig problem som ikke er alltid enkelt å fikse. Din R7 har imidlertid to funksjoner som burde hjelpe på dette problemet

## Bytt mellom Linje inn1 og Linje inn 2

Linje i 2 er jordingsisolert og Linje inn 1 er ikke, så det kan være at en inngang er stillere enn den andre.

## Bruk jordingsterminalen på bakpanelet

Hvis dette ikke virker eller du bruker Phono-inngangen, kan du prøve å koble jording fra den eksterne enheten til jordingsterminalen på baksiden av R7.

For mer informasjon, se [www.ruarkaudio.com/support](http://www.ruarkaudio.com/support)

---

## VIKTIG

**Trekk ut strømledningen fra R7 før du kobler til dens jordterminal. Dersom du er usikker på hvordan du skal koble den eksterne enheten din til jord på R7, søk råd!**

---

# Multi-rom

Dette apparatet er helt kompatibelt med Ruark Audio multi-rom og gir deg mulighet til å strøomme musikk sømløst fra ett rom til et annet.

Til å begynne med må du opprette en gruppe på opptil 6 enheter som alle vil spille den samme synkroniserte lyden. Etter at du har opprettet en gruppe, kan andre enheter legges til.

For å opprette en gruppe, velg **MENU > Multi-room > Create new group**, tast inn et navn for gruppen og velg OK. Fra listen over andre kompatible enheter som blir funnet i nettverket ditt, velg opp til 5 enheter til gruppen og deretter trykk **MENU** for å bekrefte valget ditt og avslutt. Alle enheter i gruppen vil nå spille av synkronisert lyd.

For å legge til enheter til den aktuelle gruppen, velg **MENU > Multi-room > Add to group**

For å fjerne andre enheter fra den aktuelle gruppen, velg **MENU > Multi-room > Remove from group**

For å fjerne den aktuelle enheten fra gruppen, velg **MENU > Multi-room > Leave group**

For å slette den aktuelle gruppen, velg **MENU > Multi-room > Dissolve group** Gruppen er oppløst og multi-rom avspillingen vil stoppe.

Du kan også sette opp og kontrollere multi-rom avspilling ved hjelp av Ruark Audio Link app-en.

For mer informasjon, se [www.ruarkaudio.com/support](http://www.ruarkaudio.com/support)

NO

## App kontroll

Du kan også kontrollere R7 og sette opp multi-rom avspilling ved hjelp av Ruark Audio Link app-en. Finn det på Apple/Android app-butikken.

For mer informasjon, se [www.ruarkaudio.com/support](http://www.ruarkaudio.com/support)

### App tilgangs-PIN

Sett opp en PIN-kode for å begrense tilgangen til R7, slik at bare autoriserte brukere kan styre den fra Ruark Audio Link app-en.

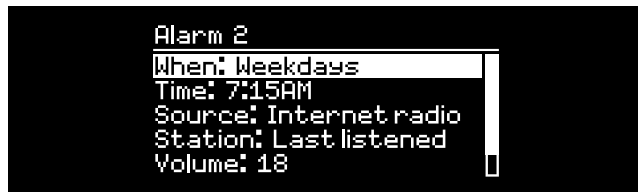
**MENU > System > Network > App access PIN.**

## Alarmer, slumre og sovemodus

### Stille inn alarm

En aktiv alarm angis av alarmikonet og når den lyder vil ikonet blinke.

Velg **MENU > System > Date and time > Alarms** og velg alarm 1 eller alarm 2 ved å bruke **KONTROLLKNAPPEN**.



Velg når alarmen skal utløses (av, daglig, en gang, helg eller ukedager), velg tidspunkt og velg deretter om alarmen skal spille en radiostasjon, en CD, Spotify forhåndsinnstilling eller avgi et alarmsignal, og velg til slutt volumet. Til slutt velger du **Save** for å lagre alarmen og gå ut av oppsettmenyen.

**MERK:** Det er ikke mulig å bruke en Bluetooth-kilde, USB eller en musikkserver i nettverket som avspilling for alarmen.

### Slumring

Trykk på **KONTROLLKNAPPEN** for midlertidig å dempe en lydalarm, trykk på den én gang til for å forlenge slumreperioden (5, 10, 15 eller 30 minutter).

Hvis du vil avbryte en alarm som lyder eller er i slumremodus, trykk og hold **KONTROLLKNAPPEN** i to sekunder.

### Standby-automatikk

For å stille inn tiden fram til at din R7 automatisk går over til Standby, velg **MENU > System > Date and time > Sleep**.

Velg forsinkelsen i minutter (Av, 15, 30, 45, 60) og deretter trykk på knappen for å bekrefte valget ditt. Displayet dimmes ned til Standby lysstyrke, går tilbake til Avspilles nå-skjermen og viser sove-ikonet.

# Spesifikasjoner

## Forsterkere og drivere

2 x 5.5" doblekonsentriske høyttalerelementer

1 x 8" langkast subwoofer

180W diskret klasse AB effektforsterker

Integrert MM phono forforsterker

Forbedret digital 3D-lydprosessor

## Radio

DAB, DAB+ og FM-radio med RDS

75 Ohm F-type DAB/FM antenne-inngang

## CD spiller

CD, CD-ROM, CD-R/RW disk

MP3, WMA opp til 320 kbit/s

## Digital lyd

Audiofil 32-bit 112dB lydsterio DAC

Internett radio, Spotify Connect, UPnP™ DLNA

802.11b/g Wi-Fi støtter WEP, WPA & WPA2 sikkerhet

MP3, WMA, AAC, FLAC, WAV

SBC, AAC, A2DP, aptX, aptX HD Bluetooth

## Innganger og utganger

1 x MM phono inngang (RCA)

2 x Digital optiske (TOSLINK)

2 x Linje innganger (RCA)

1 x Line linje utganger (RCA)

1 x Ethernet (RJ45)

5W (5V 1A) USB

3.5mm stereo jack hodetelefon utgang

## Strømtilførsel

Strøminngang: 100-120/200-240 VAC 50 – 60Hz

Sikring: 250V T 6,3A

Nominelt forbruk 25W

Standby forbruk: 1,0W

## Fysiske

Mål uten ben:

H165 mm x B1000 mm x D400 mm

(H6.5" x B39.4" x D15.7")

Vekt ( med ben): 27,8 kg (61,3 lbs)

Spesifikasjon og design kan endres uten forvarsel  
Digital Tick-sertifisering oppnådd ved hjelp av den medfølgende tråddipolantennen.

NO

# Informasjon om sikkerhet og forskrifter

- Les denne bruksanvisningen og følg alle instruksjonene. Det vil hjelpe deg å sette opp og bruke produktet riktig.
- Vær oppmerksom på alle advarsler og ta vare på denne bruksanvisningen som fremtidig referanse.
- Ikke forsøk å bruke et skadet apparat. Dette kan føre til et farlig elektrisk støt.
- Ikke åpne apparatet eller ta av paneler for å komme til elektronikken. Apparatet inneholder ikke noen deler som kan repareres.
- Henviss alt servicearbeid til kvalifisert personell. Det er nødvendig å få utført service på apparatene når de har blitt skadet på noen måte, som på strømkabelen eller kontakten, hvis det har blitt sølt væske eller det har falt ned gjenstander på dem, eller hvis de har blitt utsatt for regn eller fuktighet, hvis de ikke virker som de skal eller de har falt ned.
- Denne enheten er BARE ment brukt med AC-spenningene som er oppført på baksiden av apparatet eller på strømforsyningen som er inkludert. Bruk med spenninger enn dem som er angitt kan forårsake irreversibel skade på enheten, og tilsidesette produktgarantien.
- Pass på at støpselet og strømkontakten til utstyret er lett å komme til i tilfelle det er nødvendig å koble fra strømmen.
- Strømadapteren, støpselet eller strømtilkoblingen må kobles fra kontakten for å koble apparatet helt fra strømmettet.
- Ikke plasser noen åpne flammer, som et tent stearinlys, på eller nær enheten av apparatet. Ikke installer enheten nær varmekilder som radiatorer, ovner eller andre apparater (inkludert forsterkere) som avgir varme.
- Unngå å utsette den for ekstrem varme eller ekstrem kulde.
- Bare bruk tilkoblinger/tilbehør som er angitt for denne enheten. Ikke foreta noen modifikasjoner på systemet eller tilbehøret. Uautoriserte endringer kan kompromittere sikkerheten, samsvar med forskrifter og ytelsen til systemet.
- Bruk kun den medfølgende antennen eller en godkjent erstatning.
- For å redusere risikoen for brann eller elektrisk støt må enheten ikke utsettes for regn eller fuktighet. Ikke utsett apparatet for drypping eller sprut, og ikke plasser noen væskefylte gjenstander som vaser på eller nær apparatet. Som det er tilfelle med alle elektroniske produkter må du være forsiktig å ikke søle noen væsker på noen deler av systemet. Væsker kan forårsake feifunksjon og/eller utgjøre en brannfare.
- Koble fra dette apparatet i tordenvær eller når det ikke skal brukes over lengre perioder for å forhindre at det skades.
- For å forhindre risikoen for brann eller elektrisk støt, unngå å overbelaste veggkontakter, skjøteledninger eller dobbeltkontakter.
- Langvarig eksponering for høy musikk kan forårsake hørselsskade. Det er best å unngå ekstremt volum når du bruker øretelefoner, spesielt over lengre perioder.
- Ikke installer dette utstyret på et innestengt sted. La det alltid være en avstand på minst 10cm rundt utstyret for ventilasjon, og sikre at gardiner og annet aldri dekker ventilasjonsåpningene.



#### SIKKERHETSMERKNAD OM LITHIUM MYNTCELLE.

Fjernkontrollen inneholder et litium myntcellebatteri, som hvis det svelges kan forårsake kjemiske brannskader. Hold nye og gamle batterier utenfor barns rekkevidde. Hvis du mistenker at batterier kan ha blitt svelget, må du kontakte lege straks. Ikke håndter lekkende eller skadde batterier. Eksplosjonsfare hvis batteriet settes inn feil. Må bare skiftes ut med den samme typen eller tilsvarende.



Dette apparatet er merket i henhold til det europeiske direktivet 2012/19/EU som gjelder avhending av elektrisk og elektronisk utstyr. Dette symbolet angir at produktet eller de tilhørende batteriene ikke skal avhendes som vanlig husholdningsavfall. Som med alt elektrisk utstyr, skal det avhendes i henhold til lokale bestemmelser.



#### INFORMASJON OM CE-SAMSVAR

Dette apparatet er i samsvar med alle lovbestemte krav i EU-direktiver. Du kan få et gratis eksemplar av samsvarserklæringen ved å kontakte forhandleren, distributøren eller Rurark Audio.

Herved erklærer Ruark Audio at denne enheten overholder de viktigste kravene og andre relevante bestemmelser i det europeiske direktiv om radioutstyr 2014/53/EU.

Du kan laste ned den fullstendige CE-samsvarserklæringen på [www.ruarkaudio.com/doc/R7mk3doc.pdf](http://www.ruarkaudio.com/doc/R7mk3doc.pdf)

## Feilsøking

Hvis du trenger hjelp med produktet, kan du se i FAQ (Ofte stilte spørsmål)-siden under supportområdet på nettsiden vår.

For mer informasjon, se [www.ruarkaudio.com/support](http://www.ruarkaudio.com/support)

## Garantiinformasjon

Vi garanterer for feil på produktet i to år fra kjøpsdato, forutsatt at produktet brukes etter anvisningene. Feil på produktet på grunn av skade ved ulykke (uansett årsak), unormal slitasje, uaktsomhet eller uautorisert modifikasjon, omfattes ikke av garantien.

Om du skulle oppleve problemer, kontakt oss på nettsidene våre på [www.ruarkaudio.com](http://www.ruarkaudio.com) eller ring oss direkte på 01702 601410 der vi vil informere deg om videre handlinger. Ved retur av produktet, må det sendes i originalemballasjen sammen medkjøpsbeviset. Hvis ikke produktet kan leveres personlig, skal det sendes med forhåndsbetalt frakt ved bruk av godkjent budfirma. Hvis du ikke lenger har originalemballasjen, kan godkjent emballasje kjøpes fra oss.

## Garanti ved salg til andre land

Forhandleren i landet der produktet ble kjøpt garanterer for produkter som er kjøpt i andre land enn Storbritannia. For mer informasjon, ta kontakt med din lokale Ruark-distributør eller forhandler.

DENNE GARANTIEN SETTER IKKE TIL SIDE KJØPERS LOVBESTEMTE RETTIGHETER. E&OE

# ruarkaudio

59 Tailors Court, Temple Farm Industrial Estate,  
Southend on Sea, Essex, SS2 5TH, UK  
+44 (0) 1702 601 410 [www.ruarkaudio.com](http://www.ruarkaudio.com)

## Generelt vedlikehold

Rengjøres med en myk støvklut eller en lett fuktig klut. Ikke bruk voksspray eller andre stoffer som kan skade overflaten eller redusere ytelsen.

Må ikke utsettes for direkte sollys, høy fuktighet, støv, kraftige vibrasjoner eller høye temperaturer. Dette kan påvirke enhetens utseende, ytelse og funksjon.

Anbefalt brukstemperatur er fra 5 °C til 40 °C.

Kabinetter av naturlig treverk kan variere i fargen over tid spesielt ved eksponering mot sollys.

## Opphavsrett og varemerker

© 2018 Ruark Audio. Alle rettigheter forbeholdt. Ruark Audio, Ruark Audio-logoen og andre Ruark Audio-merker tilhører Ruark Audio og kan være registrert. Alle andre varemerker tilhører deres respektive eiere. Ruark Audio påtar seg intet ansvar for eventuelle feil som måtte forekomme i denne bruksanvisningen, og informasjonen i den kan endres uten ytterligere varsel.

Bluetooth® og tilknyttede logoer er registrerte varemerker som eies av Bluetooth SIG, Inc.

Qualcomm aptX og aptX HD er produkter som eies av Qualcomm Technologies International, Ltd.

Spotify-programvaren er gjenstand for tredjeparts lisenser som kan finnes her: [www.spotify.com/connect/third-party-licenses](http://www.spotify.com/connect/third-party-licenses)

Alle andre varemerker tilhører deres respektive eiere.

Utviklet i  
Storbritannia

Designed in  
Great Britain



20190430.1